

CUSTOMER TERMINAL	RoHS	LEAD(Pb)-FREE
Sn96%, Ag4%	Yes	Yes

more than you expect

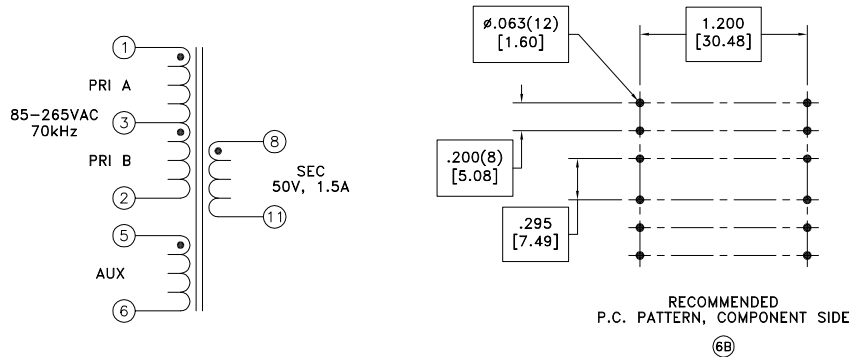
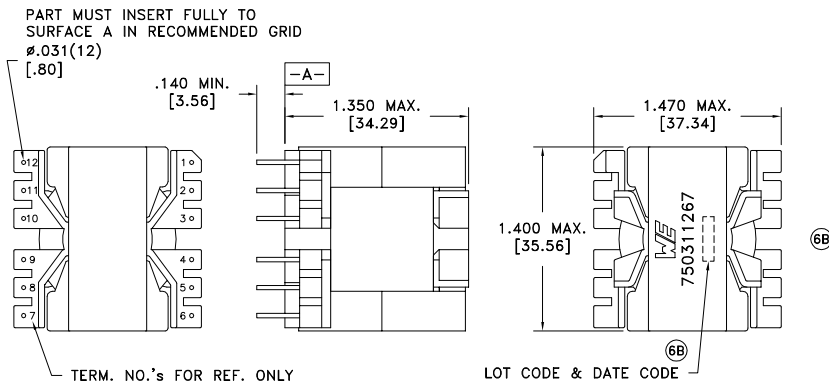


ELECTRICAL SPECIFICATIONS @ 25°C unless otherwise noted:

PARAMETER	TEST CONDITIONS	VALUE
D.C. RESISTANCE	1-2 @20°C	0.28 ohms ±10%
D.C. RESISTANCE	5-6 @20°C	0.095 ohms max.
D.C. RESISTANCE	8-11 @20°C	0.140 ohms max.
INDUCTANCE	1-2 10kHz, 100mVAC, Ls	625uH ±4%
LEAKAGE INDUCTANCE	1-2 tie(5+6, 8+11), 100kHz, 100mVAC, Ls	20.0uH max.
DIELECTRIC	1-8 tie(2+5), 3750VAC, 1 second	3000VAC, 1 minute
TURNS RATIO	(1-2):(8-11)	2.24:1, ±1%
TURNS RATIO	(1-2):(5-6)	4.307:1, ±1%
TURNS RATIO	(1-3):(3-2)	1:1, ±1%

GENERAL SPECIFICATIONS:

OPERATING TEMPERATURE RANGE: -40°C to +125°C.



6B Wire insulation & RoHS status not affected by wire color.
Wire insulation color may vary depending on availability.

REV.	DATE	Packaging Specifications Method: Tray PKG-0825 www.we-online.com/midcom		Tolerances unless otherwise specified: Angles: $\pm 1^\circ$ Decimals: $\pm .005$ [.13] Fractions: $\pm 1/64$ Footprint: $\pm .001$ [.03]	DRAWING TITLE TRANSFORMER	PART NO. 750311267
6B	4/15			This drawing is dual dimensioned. Dimensions in brackets are in millimeters.	eiSos p/n: 750311267	
6A	2/10	SEE REVISION SHEET FOR REVISION LEVEL				SPECIFICATION SHEET 1 OF 1



Mouser Electronics

Authorized Distributor

Click to View Pricing, Inventory, Delivery & Lifecycle Information:

[Wurth Elektronik:](#)

[750311267](#)