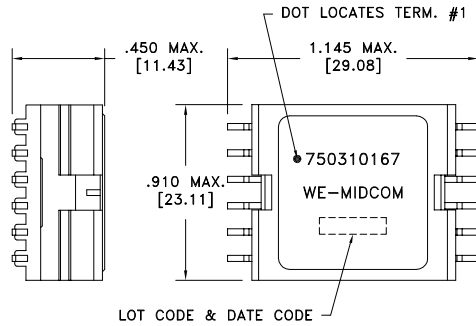
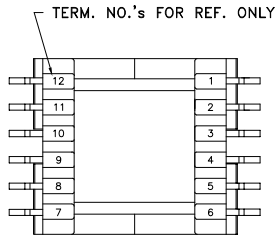
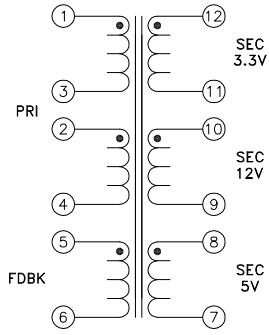


CUSTOMER TERMINAL	RoHS	LEAD(Pb)-FREE
Sn96%, Ag4%	Yes	Yes

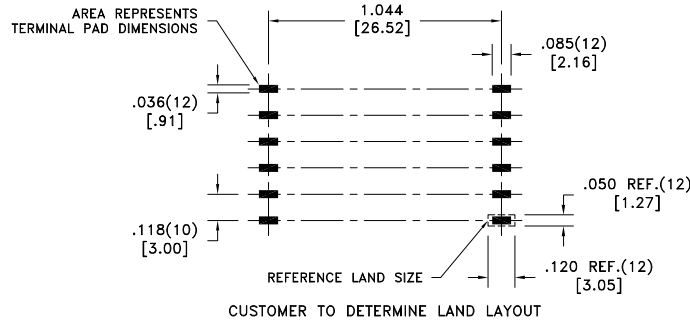
more than you expect



LOT CODE & DATE CODE



Customer to tie 2+3 on PCB.



ELECTRICAL SPECIFICATIONS @ 25°C unless otherwise noted:

PARAMETER	TEST CONDITIONS	VALUE
D.C. RESISTANCE	1-4 tie(2+3), @20°C	0.070 ohms max.
D.C. RESISTANCE	5-6 @20°C	0.31 ohms max.
D.C. RESISTANCE	7-8 @20°C	0.042 ohms max.
D.C. RESISTANCE	11-12 @20°C	0.0090 ohms max.
D.C. RESISTANCE	9-10 @20°C	0.023 ohms max.
INDUCTANCE	1-4 tie(2+3), 100kHz, 100mVAC, Ls	25.0uH ±10%
LEAKAGE INDUCTANCE	1-4 tie(7+8+9+10+11+12, 2+3, 5+6), 100kHz, 100mVAC, Ls	2.0uH max.
DIELECTRIC	1-12 1875VAC, 1 second	1500VAC, 1 minute
DIELECTRIC	1-5 1250VAC, 1 second	1000VAC, 1 minute
TURNS RATIO	(1-4):(10-9)	2.5:1, ±1%
TURNS RATIO	(1-4):(12-11)	6.666:1, ±1%
TURNS RATIO	(1-4):(8-7)	5:1, ±1%
TURNS RATIO	(1-4):(5-6)	2.5:1, ±1%
TURNS RATIO	(1-3):(2-4)	1:1, ±1%

REV.	DATE	Packaging Specifications	CONVENTION PLACEMENT
		Method: <b>Tape &amp; Reel</b> PKG-0647 www.we-online.com/midcom	
6B	2/15		
6A	12/07	SEE REVISION SHEET FOR REVISION LEVEL	

Tolerances unless otherwise specified:  
 Angles: ±1°      Decimals: ±.005 [.13]  
 Fractions: ±1/64      Footprint: ±.005 [.13]

This drawing is dual dimensioned. Dimensions in brackets are in millimeters.

DRAWING TITLE  
**TRANSFORMER**

eiSos p/n: 750310167

PART NO.  
**750310167**

SPECIFICATION SHEET 1 OF 1

# Mouser Electronics

Authorized Distributor

Click to View Pricing, Inventory, Delivery & Lifecycle Information:

[Wurth Elektronik:](#)

[750310167](#)