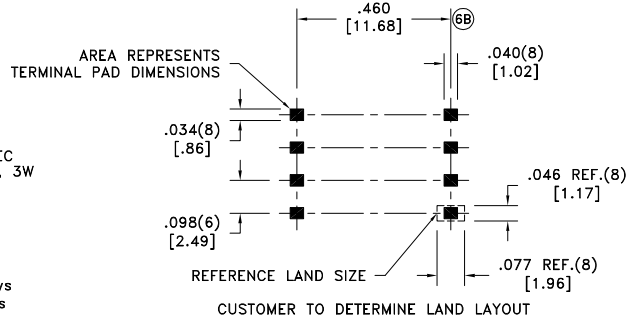
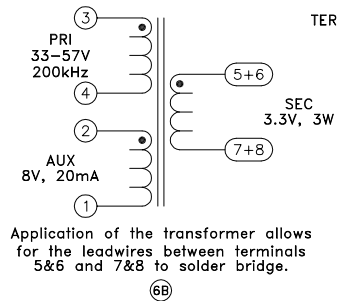
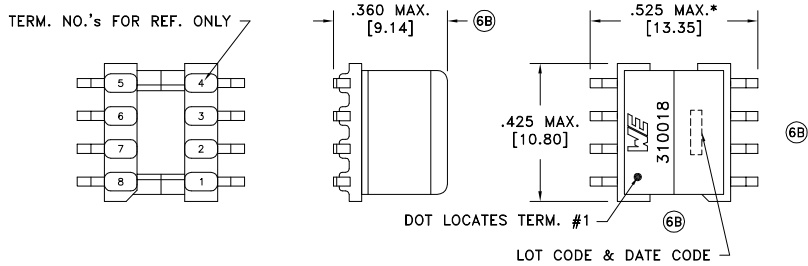


CUSTOMER TERMINAL	RoHS	LEAD(Pb)-FREE
Sn96%, Ag4%	Yes	Yes

more than you expect



* DIMENSION MAY BE EXCEEDED WITH SOLDER ONLY



ELECTRICAL SPECIFICATIONS @ 25°C unless otherwise noted:

PARAMETER	TEST CONDITIONS	VALUE
D.C. RESISTANCE	1-2 @20°C	0.215 ohms max.
D.C. RESISTANCE	3-4 @20°C	1.750 ohms max.
D.C. RESISTANCE	5-7 @20°C, tie(5+6, 7+8)	0.015 ohms max.
INDUCTANCE	3-4 10kHz, 100mVAC, Ls	500uH ±10%
LEAKAGE INDUCTANCE	3-4 tie(1+2, 5+6+7+8), 100kHz, 100mVAC, Ls	7.5uH max.
DIELECTRIC	1-8 tie(2+3, 5+6), 1500VAC, 1 second	-
DIELECTRIC	1-3 500VDC, 1 second	-
URNS RATIO	(3-4):(5-7), tie(5+6, 7+8)	12.048:1, ±2%
URNS RATIO	(3-4):(2-1)	4.807:1, ±2%

6B Wire insulation & RoHS status not affected by wire color.
Wire insulation color may vary depending on availability.

REV.	DATE	Packaging Specifications Method: Tape & Reel PKG-0523 www.we-online.com/midcom		Tolerances unless otherwise specified: Angles: ±1° Fractions: ±1/64 Decimals: ±.005 [0.13] Footprint: ±.005 [0.13]	DRAWING TITLE TRANSFORMER	PART NO. 750310018
6B	2/15			This drawing is dual dimensioned. Dimensions in brackets are in millimeters.	eiSos p/n: 750310018	
6A	5/07	SEE REVISION SHEET FOR REVISION LEVEL				SPECIFICATION SHEET 1 OF 1

Mouser Electronics

Authorized Distributor

Click to View Pricing, Inventory, Delivery & Lifecycle Information:

[Wurth Elektronik:](#)

[750310018](#)