

# Spezifikation für Freigabe / specification for release

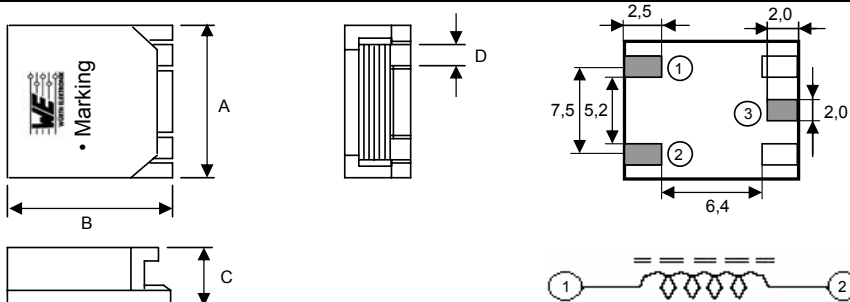
Kunde / customer :  
 Artikelnummer / part number : **744382900**  
 Bezeichnung : **SPEICHERDROSSEL WE-HCF**  
 description : **POWER-CHOKE WE-HCF**

LF



DATUM / DATE : 2005-04-05

## A Mechanische Abmessungen / dimensions:



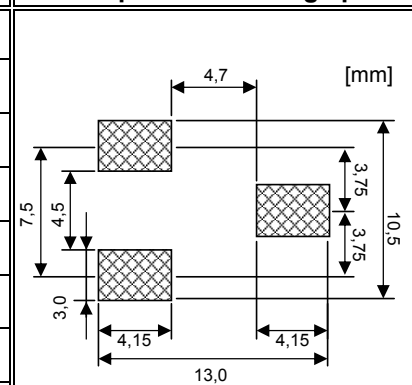
A	<b>12,5 ± 0,3</b>	mm
B	<b>12,5 ± 0,3</b>	mm
C	<b>5,6 max.</b>	mm
D	<b>1,9 ± 0,2</b>	mm

● = Start of winding    Marking = Inductance code

## B Elektrische Eigenschaften / electrical properties:

Eigenschaften / properties	Testbedingungen / test conditions		Wert / value	Einheit / unit	tol.
Leerlaufinduktivität / Initial Inductance	<b>100 kHz / 1,0V</b>	L	<b>10,00</b>	μH	± 25%
Induktivität / inductance	<b>at flat point</b>	L <sub>F</sub>	<b>9,00</b>	μH	± 25%
DC-Widerstand / DC-resistance	<b>@ 20°C</b>	R <sub>DC typ</sub>	<b>11,20</b>	mΩ	± 25%
DC-Widerstand / DC-resistance	<b>@ 20°C</b>	R <sub>DC max</sub>	<b>13,70</b>	mΩ	max.
Nennstrom / rated current	<b>ΔT=40 K</b>	I <sub>N</sub>	<b>7,0</b>	A	max.
Sättigungsstrom / saturation current	<b> ΔL/LF &lt;20%</b>	I <sub>SAT</sub>	<b>6,8</b>	A	typ.
Eigenres.-Frequenz / self-res.-frequency		SRF		MHz	typ.

## C Lötpad / soldering spec.:



## D Prüfgeräte / test equipment:

**HP 4274 A** für/for L und/and Q  
**HP 34401 A** für/for I<sub>DC</sub> und/and R<sub>DC</sub>

## E Testbedingungen / test conditions:

Luftfeuchtigkeit / humidity: 33%  
 Umgebungstemperatur / temperature: +20°C

## F Werkstoffe & Zulassungen / material & approvals:

Basismaterial / base material: Ferrit / ferrite  
 Draht / wire: Class F  
 Elektrode / clip: 100% Sn

## G Eigenschaften / general specifications:

Betriebstemp. / operating temperature: -40°C - + 125°C  
 Umgebungstemp. / ambient temperature: -40°C - + 85°C  
 It is recommended that the temperature of the part does not exceed 125°C under worst case operating conditions.

Freigabe erteilt / general release:	Kunde / customer			
	Datum / date	Unterschrift / signature		
	Würth Elektronik			
	Geprüft / checked	Kontrolliert / approved	SST	Version 1    05-04-05
			Name	Änderung / modification    Datum / date

### Würth Elektronik eiSos GmbH & Co. KG

D-74638 Waldenburg · Max-Eyth-Strasse 1 - 3 · Germany · Telefon (+49) (0) 7942 - 945 - 0 · Telefax (+49) (0) 7942 - 945 - 400  
<http://www.we-online.de>

# Spezifikation für Freigabe / specification for release

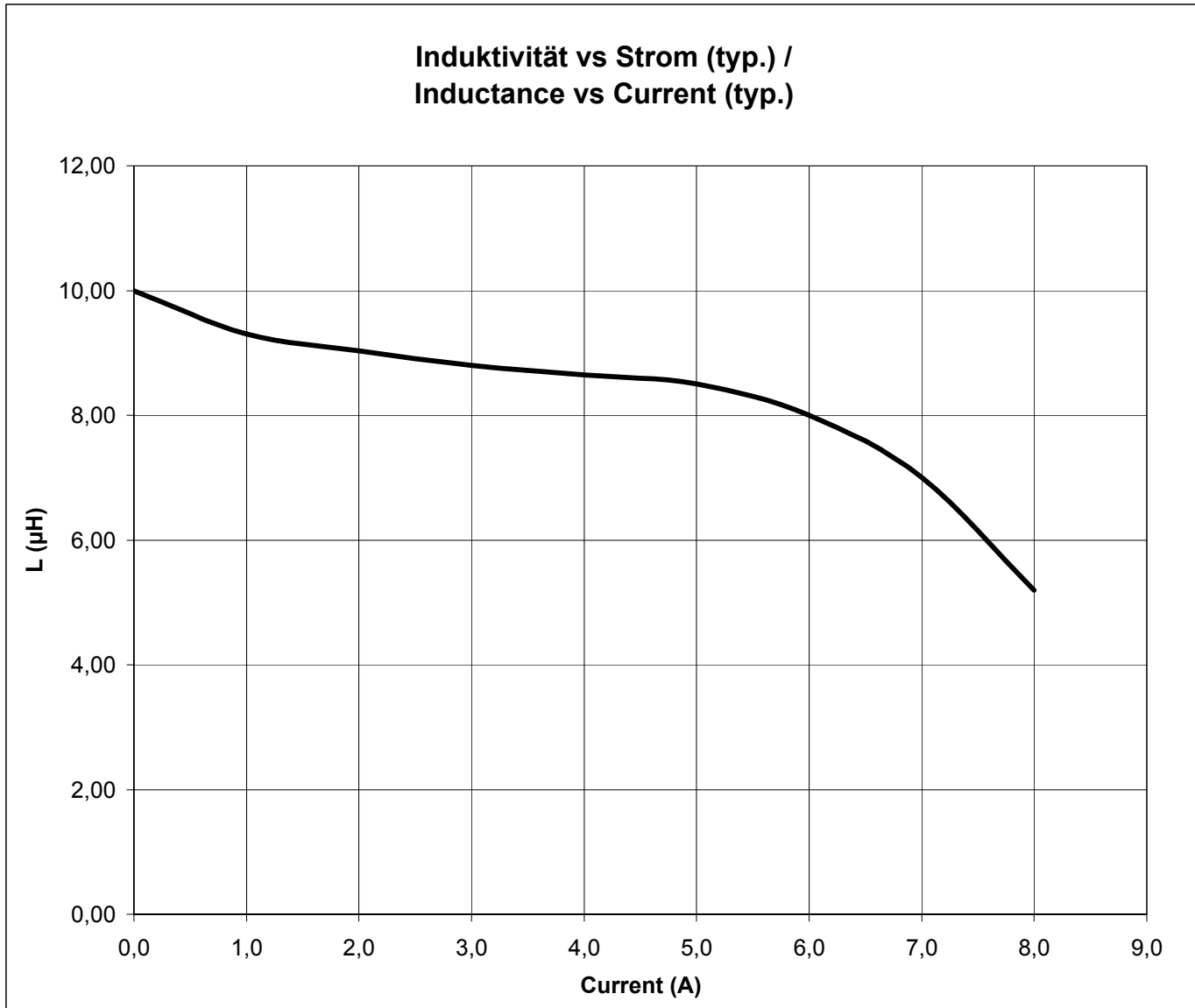
Kunde / customer :  
 Artikelnummer / part number : **744382900**  
 Bezeichnung : **SPEICHERDROSSEL WE-HCF**  
 description : **POWER-CHOKE WE-HCF**

LF



DATUM / DATE : 2005-04-05

## H Induktivitätskurve / Inductance curve :



Freigabe erteilt / general release:	Kunde / customer			
Datum / date	Unterschrift / signature			
	Würth Elektronik			
Geprüft / checked	Kontrolliert / approved	SST	Version 1	05-04-05
		Name	Änderung / modification	Datum / date

### Würth Elektronik eiSos GmbH & Co. KG

D-74638 Waldenburg · Max-Eyth-Strasse 1 - 3 · Germany · Telefon (+49) (0) 7942 - 945 - 0 · Telefax (+49) (0) 7942 - 945 - 400  
<http://www.we-online.de>

# Spezifikation für Freigabe / specification for release

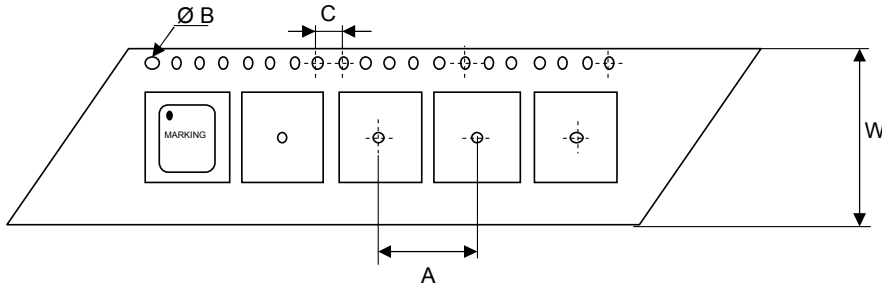
Kunde / customer :  
 Artikelnummer / part number : **744382900**  
 Bezeichnung : **SPEICHERDROSSEL WE-HCF**  
 description : **POWER-CHOKE WE-HCF**



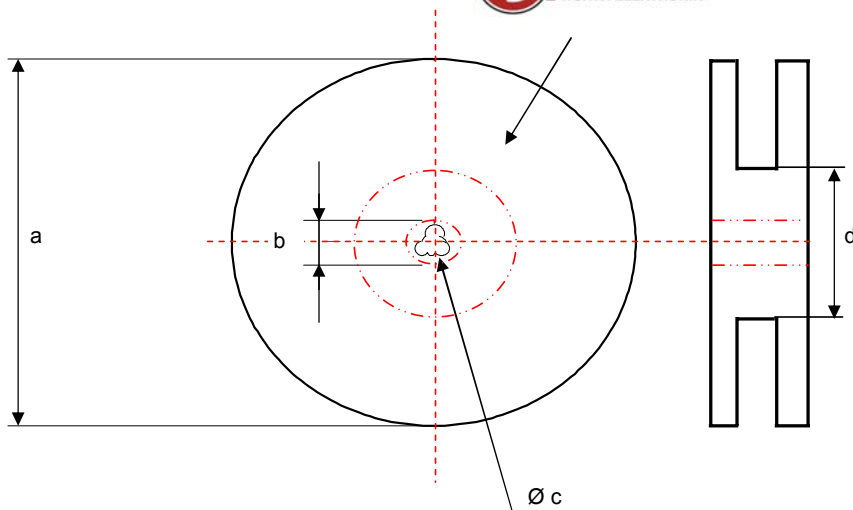
DATUM / DATE : 2005-04-05

## I Rollenspezifikation / tape and reel specification :

## Gurtspezifikation / Tape specification:



A	<b>16,0 ± 0,1</b>	mm
B	<b>1,50 ± 0,1</b>	mm
C	<b>4,00 ± 0,1</b>	mm
W	<b>24,0 ± 0,1</b>	mm



### Rollenspezifikation / Reel specification:

a	<b>330,0 ± 0,5</b>	mm
b	<b>21,0 ± 0,8</b>	mm
c	<b>13,0 ± 0,5</b>	mm
d	<b>50,0 ± 0,5</b>	mm

Freigabe erteilt / general release:	<b>Kunde / customer</b>			
.....	.....			
Datum / date	Unterschrift / signature			
	<b>Würth Elektronik</b>			
.....	.....			
Geprüft / checked	Kontrolliert / approved	SST	Version 1	05-04-05
		Name	<b>Änderung / modification</b>	Datum / date

This electronic component is designed and developed with the intention for use in general electronics equipments. Before incorporating the components into any equipments in the field such as aerospace, aviation, nuclear control, submarine, transportation, (automotive control, train control, ship control), transportation signal, disaster prevention, medical, public information network etc. where higher safety and reliability are especially required or if there is possibility of direct damage or injury to human body. In addition, even electronic component in general electronic equipments, when used in electrical circuits that require high safety, reliability functions or performance, the sufficient reliability evaluation-check for the safety must be performed before use. It is essential to give consideration when to install a protective circuit at the design stage.

## Würth Elektronik eiSos GmbH & Co. KG

D-74638 Waldenburg · Max-Eyth-Strasse 1 - 3 · Germany · Telefon (+49) (0) 7942 - 945 - 0 · Telefax (+49) (0) 7942 - 945 - 400  
<http://www.we-online.de>

# Mouser Electronics

Authorized Distributor

Click to View Pricing, Inventory, Delivery & Lifecycle Information:

[Wurth Elektronik:](#)

[744382900](#)