

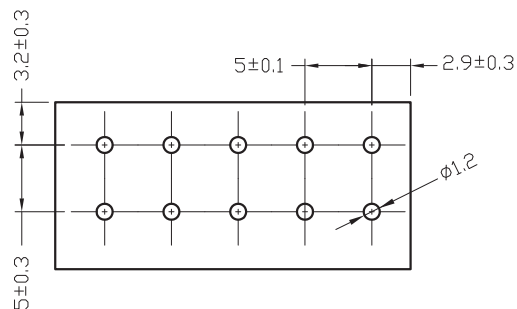
1

2

3

4

5



RECOMMENDED PCB LAYOUT - COMPONENT VIEW

TECHNICAL CHARACTERISTICS

MATERIAL
 INSULATOR: PA 66
 FLAMABILITY RATING: UL94-V0
 COLOR: GRAY/WHITE
 METAL HOUSING: BRASS (CuZn)
 WIRE GUARD: STAINLESS STEEL
 SOLDER TAIL PLATING: TIN

ENVIRONMENTAL
 OPERATING TEMPERATURE: -40 UP TO 115°C
 COMPLIANCE: LEAD FREE AND ROHS

ELECTRICAL
 CURRENT RATING: 10 A
 WORKING VOLTAGE: 300 VAC
 WITHSTANDING VOLTAGE: 2.0 KV
 CONTACT RESISTANCE: 20 mOhm MAX

STANDARD
 CERTIFIED E315414

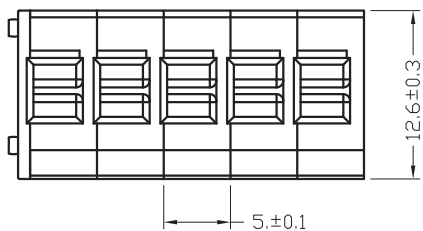
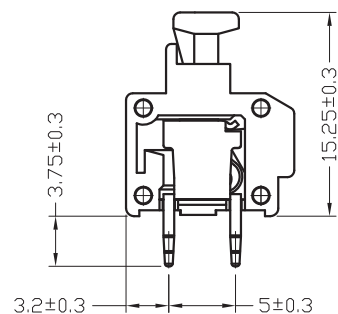
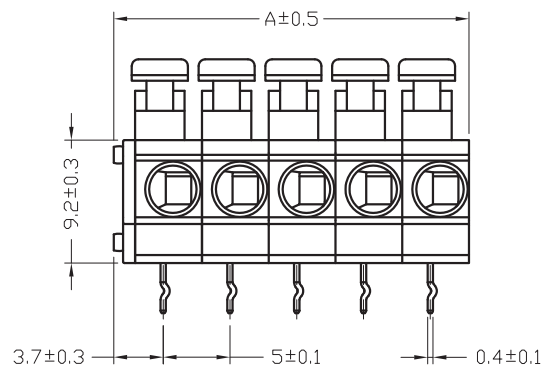
MECHANICAL
 SOLID WIRE: 14-20 AWG / 0.5-2.1 MM²
 STRANDED WIRE: 14-20 AWG / 0.5-2.1 MM²

WIRE STRIPE LENGTH: 9-10 MM
 PITCH: 5.0 MM

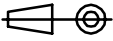

SOLDERING
 JEDEC LEAD FREE WAVE SOLDERING PROCESS

PACKAGING
 BOX

DIMENSION
 A = (NB. PIN x5) +1,6



RoHS Compliant

G				PROJECTION: 	GENERAL TOLERANCE .X = +/- 0.2 .XX = +/- 0.15	 WÜRTH ELEKTRONIK
F						
E						
D						
C	11-SEP-17	REMOVE TABLE	AK			
B	29-JUL-13	DWG REVIEW	QL	APPROVAL: FBr	UNIT: MM	DESCRIPTION: SERIE 411 B - 5.00MM SCREWLESS HORIZONTAL ENTRY
A	02-JUL-12	PDF	GG		SCALE:	2.0MM ² WIRES WR-TBL
REV	DATE	FILE	BY		SHEET: 1/2	WERI PART NO: 691 411 710 0xx B
					DRAW: MARVIN	

SIZE

A4

Mouser Electronics

Authorized Distributor

Click to View Pricing, Inventory, Delivery & Lifecycle Information:

[Wurth Elektronik:](#)

[691411710002B](#)