

PCB LAYOUT - COMPONENT VIEW

Pitch : 5.00mm

Poles	A(mm)	Poles	A(mm)
2	12.54	15	77.54
3	17.54	16	82.54
4	22.54	17	
5	27.54	18	
6	32.54	19	
7	37.54	20	
8	42.54	21	
9	47.54	22	
10	52.54	23	
11	57.54	24	
12	62.54	25	
13	67.54	26	
14	72.54	27	

TECHNICAL CHARACTERISTICS

MATERIAL  
 INSULATOR: PA66  
 FLAMABILITY RATING: UL94-V0  
 COLOR: GREEN  
 METAL HOUSING: BRASS (CuZn)  
 WIRE GUARD: STAINLESS STEEL  
 SOLDER TAIL PLATING: TIN

ENVIRONMENTAL  
 OPERATING TEMPERATURE: -40 UP TO 105°C  
 COMPLIANCE: LEAD FREE AND ROHS

ELECTRICAL	cULus	VDE
CURRENT RATING:	10A	16A
WORKING VOLTAGE:	300VAC	450VAC
WITHSTANDING VOLTAGE:	2.0KV	-
CONTACT RESISTANCE:	20mOhm MAX	-

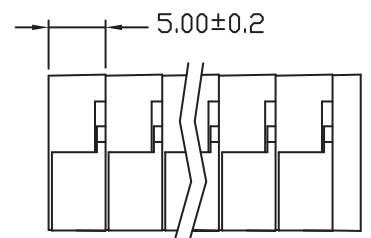
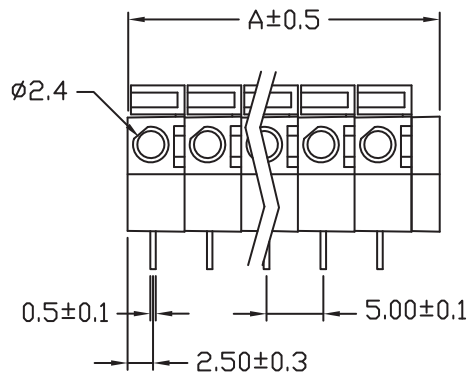
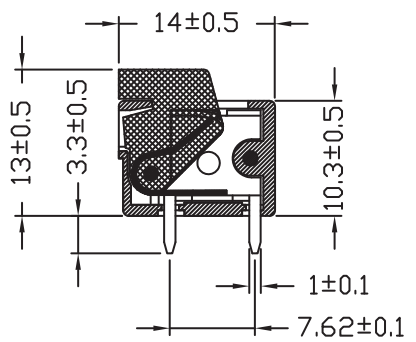
STANDARD  
 CERTIFIED E315414  
 CERTIFIED 40036896

MECHANICAL  
 SOLID WIRE: 24-14 AWG / 0.205-2.08 MM<sup>2</sup>  
 STRANDED WIRE: 24-14 AWG / 0.205-2.08 MM<sup>2</sup>

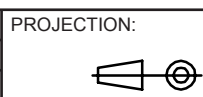
WIRE STRIPE LENGTH: 9-10 MM  
 PITCH: 5.0 MM

SOLDERING  
 JEDEC LEAD FREE WAVE PROCESS ONLY

PACKAGING  
 BOX



RoHS Compliant			
G			
F			
E			
D			
C			
B	24-SEP-13	DWG REVIEW	QL
A	02-JUL-12	PDF	GG
REV	DATE	FILE	BY



GENERAL TOLERANCE  
 .X = +/- 0.2  
 .XX = +/- 0.15



APPROVAL: RJ

UNIT: MM  
 SCALE:  
 SHEET: 1/2  
 DRAW: MARVIN

DESCRIPTION: SERIE 401 - 5.00MM SCREWLESS HORIZONTAL ENTRY  
 - WR-TBL  
 WERI PART NO: 691 401 710 0xx B

SIZE  
**A4**

1

2

3

4

5

## Cautions and Warnings:

This electronic component is designed and developed with the intention for use in general electronics equipments.

Before incorporating the components into any equipments in the field such as aerospace, aviation, nuclear control, submarine, transportation, (automotive control, train control, ship control), transportation signal, disaster prevention, medical, public information network etc. where higher safety and reliability are especially required or if there is possibility of direct damage or injury to human body, Würth Elektronik must be asked for a written approval.

In addition, even electronic component in general electronic equipments, when used in electrical circuits that require high safety, reliability functions or performance, the sufficient reliability evaluation-check for the safety must be performed before by the user before usage.

A

B

C

RoHS Compliant

G				PROJECTION: 	GENERAL TOLERANCE .X = +/- 0.2 .XX = +/- 0.15		
F							
E							
D							
C				APPROVAL: JC	UNIT: MM	DESCRIPTION: DISCLAIMER	SIZE <b>A4</b>
B					SCALE:		
A	10-SEP-14	PDF	QL		SHEET: 2/2	WERI PART NO: DISCLAIMER	
REV	DATE	FILE	BY		DRAW: QL		

D

# Mouser Electronics

Authorized Distributor

Click to View Pricing, Inventory, Delivery & Lifecycle Information:

[Wurth Elektronik:](#)

[691401700002B](#) [691401710002B](#)