

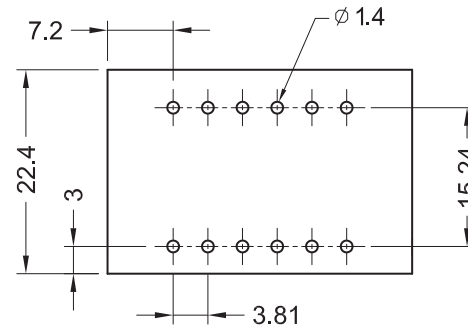
1

2

3

4

5



RECOMMENDED PCB LAYOUT - COMPONENT VIEW

## TECHNICAL CHARACTERISTICS

## MATERIAL

INSULATOR: PA 66  
 FLAMABILITY RATING: UL94-V0  
 COLOR: GREEN  
 CONTACT MATERIAL: BRASS (CuZn)  
 PLATING: TIN PLATED

## ENVIRONMENTAL

OPERATING TEMPERATURE: -40 UP TO 105°C  
 COMPLIANCE: LEAD FREE AND ROHS

## ELECTRICAL

CURRENT RATING: 10A  
 WORKING VOLTAGE: 300VAC  
 WITHSTANDING VOLTAGE: 2000 V AC/MN  
 INSULATION RESISTANCE: >2000M OHM  
 CONTACT RESISTANCE: 20 mOhm MAX

## UL

## STANDARD

CERTIFIED E315414

## SCREW: M2.5

PITCH: 3.81mm

## SOLDERING

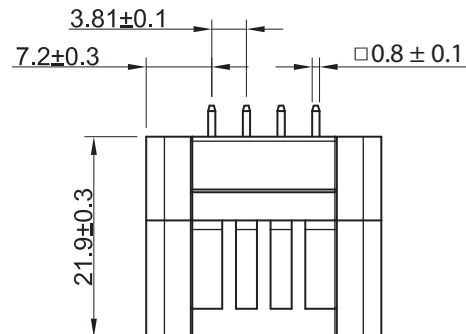
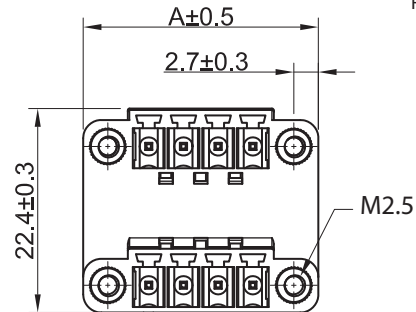
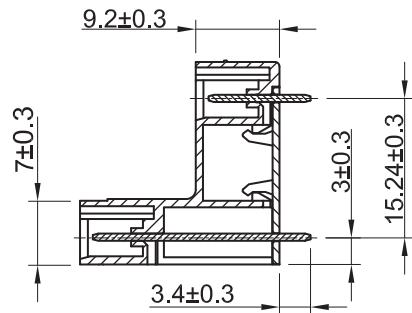
JEDEC LEAD FREE WAVE SOLDERING PROCESS

## PACKAGING

BOX

## DIMENSION

PINS	A
4	18.21
6	22.02
8	25.83
10	29.64
12	33.45
14	37.26
16	41.07



RoHS Compliant

G				PROJECTION: 	GENERAL TOLERANCE .X = +/- 0.2 .XX = +/- 0.15		
F							
E							
D	07-JUL-15	UPDATE	AK				
C	29-JUL-13	DWG REVIEW	QL				
B	15-MAY-13	UL	JC	APPROVAL: FBr	UNIT: MM	DESCRIPTION: SERIE 357B - 3.81MM DOUBLE LEVEL VERTICAL MALE PCB HEADER WITH FLANGES TYPE WR - TBL	SIZE <b>A4</b>
A	30-JAN-13	PDF	QL		SHEET: 1/2		
REV	DATE	FILE	BY		DRAW: QL		

1

2

3

4

5

## Cautions and Warnings:

This electronic component is designed and developed with the intention for use in general electronics equipments.

Before incorporating the components into any equipments in the field such as aerospace, aviation, nuclear control, submarine, transportation, (automotive control, train control, ship control), transportation signal, disaster prevention, medical, public information network etc. where higher safety and reliability are especially required or if there is possibility of direct damage or injury to human body, Würth Elektronik must be asked for a written approval.

In addition, even electronic component in general electronic equipments, when used in electrical circuits that require high safety, reliability functions or performance, the sufficient reliability evaluation-check for the safety must be performed before by the user before usage.

A

B

C

RoHS Compliant

PROJECTION:



GENERAL TOLERANCE

.X = +/- 0.2

.XX = +/- 0.15



APPROVAL: JC

UNIT: MM

DESCRIPTION: DISCLAIMER

SIZE

SCALE:

**A4**

SHEET: 2/2

WERI PART NO: DISCLAIMER

REV

DRAW: QL

10-SEP-14

PDF

QL

DATE

FILE

BY

D

# Mouser Electronics

Authorized Distributor

Click to View Pricing, Inventory, Delivery & Lifecycle Information:

[Wurth Elektronik:](#)

[691357300008B](#)