

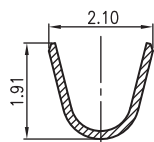
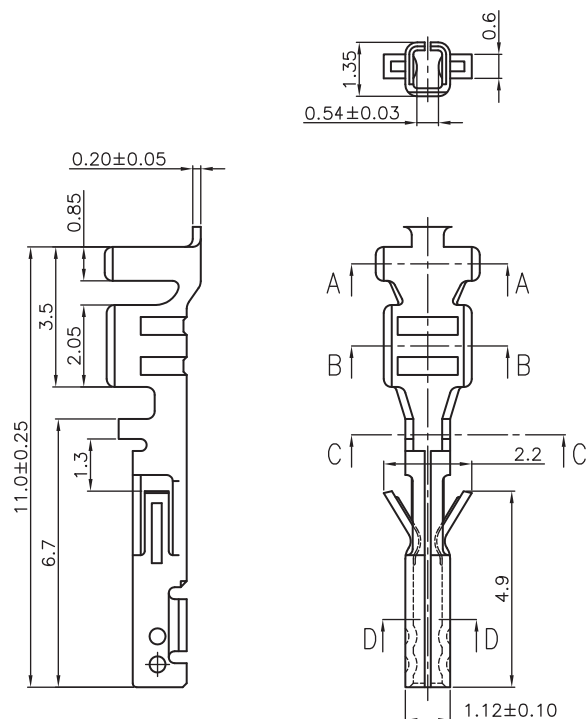
1

2

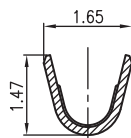
3

4

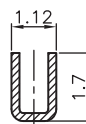
5



A-A



B-B



C-C



D-D

## TECHNICAL CHARACTERISTICS

## MATERIAL

CONTACT MATERIAL: COPPER ALLOY  
CONTACT TYPE: STAMPED  
CONTACT PLATING: TIN  
QUALITY CLASS: 25 MATING CYCLES

## ENVIRONMENTAL

OPERATING TEMPERATURE: -25 UP TO 105 °C  
COMPLIANCE: LEAD FREE AND ROHS

## ELECTRICAL

CURRENT RATING: 5A  
WORKING VOLTAGE: 250 VAC  
CONTACT RESISTANCE: 10 mOHM MAX

## MECHANICAL

STRANDED WIRE: 30-26 AWG

## PACKAGING

BULK/LOOSE DELIVERY IN A BAG  
EACH CONTACT SEPARATED FROM EACH OTHER  
NOT ON A REEL  
100PCS/PER BAG. MULTIPLE OF 100PCS ONLY  
1PCS OF 66200413722DEC=1 CRIMP CONTACT  
SO 1 BAG MEANS 100 PCS OF 66200413722DEC

RoHS Compliant

PROJECTION:



GENERAL TOLERANCE

.X =  $\pm 0.2$ .XX =  $\pm 0.15$ 

APPROVAL: BBu

UNIT: MM

SCALE:

SHEET: 1/2

DRAW: AK

DESCRIPTION: 3.00 MM FEMALE CRIMP TERMINAL

WERI PART NO: 662 004 137 22DEC

SIZE

A4

F			
E			
D			
C			
B			
A	15-JUL-15	PDF	AK
REV	DATE	FILE	BY

1

2

3

4

5

## Cautions and Warnings:

This electronic component is designed and developed with the intention for use in general electronics equipments.

Before incorporating the components into any equipments in the field such as aerospace, aviation, nuclear control, submarine, transportation, (automotive control, train control, ship control), transportation signal, disaster prevention, medical, public information network etc. where higher safety and reliability are especially required or if there is possibility of direct damage or injury to human body, Würth Elektronik must be asked for a written approval.

In addition, even electronic component in general electronic equipments, when used in electrical circuits that require high safety, reliability functions or performance, the sufficient reliability evaluation-check for the safety must be performed before by the user before usage.

A

B

C

RoHS Compliant

G				PROJECTION: 	GENERAL TOLERANCE .X = +/- 0.2 .XX = +/- 0.15		
F							
E							
D							
C				APPROVAL: JC	UNIT: MM	DESCRIPTION: DISCLAIMER	SIZE <b>A4</b>
B					SCALE:		
A	10-SEP-14	PDF	QL		SHEET: 2/2	WERI PART NO: DISCLAIMER	
REV	DATE	FILE	BY		DRAW: QL		

D

# Mouser Electronics

Authorized Distributor

Click to View Pricing, Inventory, Delivery & Lifecycle Information:

[Wurth Elektronik:](#)

[66200413722DEC](#)