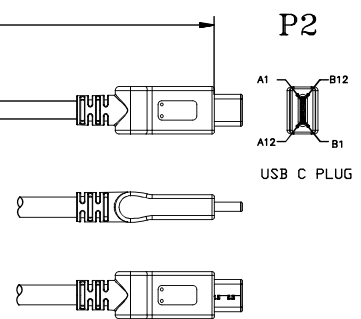


P1 USB 3.1 C MALE			P2 USB 3.1 C MALE		
PIN	SIGNAL NAME	WIRE COLOR	PIN	SIGNAL NAME	
A1,B1, A12,B12	GND	BLACK	A1,B1, A12,B12	GND	
A4,B4, A9,B9	VBUS	RED	A4,B4, A9,B9	VBUS	
A5	CC	BLUE	A5	CC	
B5	VCONN	-	B5	VCONN	
A6	Dp1	WHITE	A6	Dp1	
A7	Dn1	GREEN	A7	Dn1	
A2	SSTXp1	ORANGE	B11	SSRXp1	
A3	SSTXn1	BROWN	B10	SSRXn1	
B11	SSRXp1	BLUE	A2	SSTXp1	
B10	SSRXn1	BLACK	A3	SSTXn1	
B2	SSTXp2	WHITE	A11	SSRXp2	
B3	SSTXn2	RED	A10	SSRXn2	
A11	SSRXp2	YELLOW	B2	SSTXp2	
A10	SSRXn2	GREEN	B3	SSTXn2	
A8	SBU1	RED	B8	SBU2	
B8	SBU2	BLACK	A8	SBU1	
SHELL	SHIELD	BRAID	SHELL	SHIELD	



TECHNICAL CHARACTERISTICS

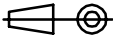
MATERIAL
 FLAMMABILITY RATING: UL94-V0
 COLOR: BLACK
 CONTACT MATERIAL: BRONZE
 CONTACT PLATING: GOLD
 QUALITY CLASS: 1 500 MATING CYCLES

ELECTRICAL
 CONTACT RESISTANCE: 5 Ω MAX

MECHANICAL
 INSERTION FORCE: 35.0N MAX
 EXTRACTION FORCE: 10.0N MIN

PACKAGING
 BAG


RoHS Compliant			
G			
F			
E			
D			
C			
B			
A	18-JUN-15	PDF	AK
REV	DATE	FILE	BY

PROJECTION:


APPROVAL: NPr

GENERAL TOLERANCE
 .X = +/- 0.2
 .XX = +/- 0.15

UNIT: MM
 SCALE:
 SHEET: 1/2
 DRAW: AK



DESCRIPTION: CABLE USB 3.1 C MALE TO USB 3.1 C MALE

WERI PART NO: 632 910 731 731

SIZE
A4

A
 B
 C

1

2

3

4

5

Cautions and Warnings:

This electronic component is designed and developed with the intention for use in general electronics equipments.

Before incorporating the components into any equipments in the field such as aerospace, aviation, nuclear control, submarine, transportation, (automotive control, train control, ship control), transportation signal, disaster prevention, medical, public information network etc. where higher safety and reliability are especially required or if there is possibility of direct damage or injury to human body, Würth Elektronik must be asked for a written approval.

In addition, even electronic component in general electronic equipments, when used in electrical circuits that require high safety, reliability functions or performance, the sufficient reliability evaluation-check for the safety must be performed before by the user before usage.

A

B

C

RoHS Compliant

G				PROJECTION: 	GENERAL TOLERANCE .X = +/- 0.2 .XX = +/- 0.15		
F							
E							
D							
C				APPROVAL: JC	UNIT: MM	DESCRIPTION: DISCLAIMER	SIZE A4
B					SCALE:		
A	10-SEP-14	PDF	QL		SHEET: 2/2	WERI PART NO: DISCLAIMER	
REV	DATE	FILE	BY		DRAW: QL		

D

Mouser Electronics

Authorized Distributor

Click to View Pricing, Inventory, Delivery & Lifecycle Information:

[Wurth Elektronik:](#)

[632910731731](#)