

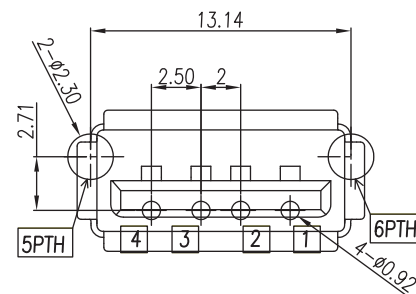
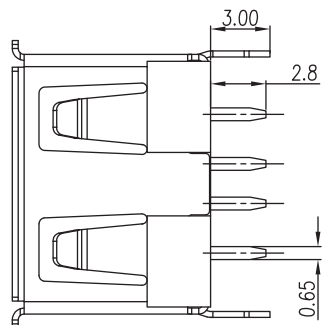
1

2

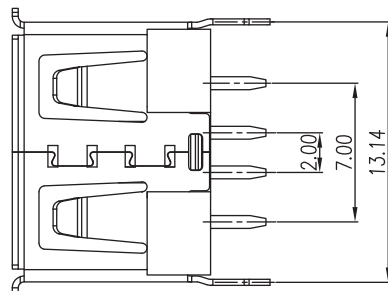
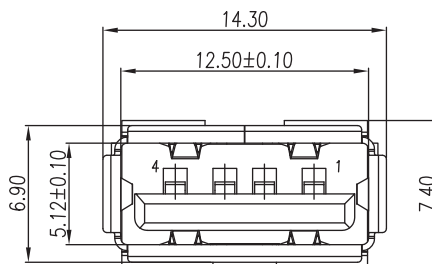
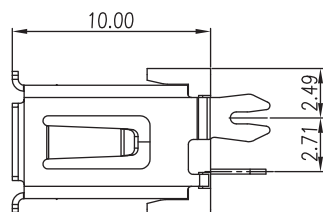
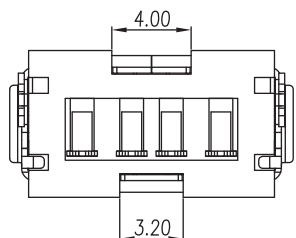
3

4

5



PCB LAYOUT - COMPONENT VIEW  
RECOMMENDED PCB THICKNESS : 1.2 mm



#### TECHNICAL CHARACTERISTICS

**MATERIAL**  
 INSULATOR: PBT  
 FLAMMABILITY RATING: UL94-V0  
 COLOR: WHITE  
 CONTACT MATERIAL: COPPER ALLOY  
 CONTACT PLATING: GOLD OVER Ni  
 COVER MATERIAL: BRASS  
 COVER PLATING: Ni  
 QUALITY CLASS: 1 500 MATING CYCLES

**ENVIRONMENTAL**  
 OPERATING TEMPERATURE: -55°C UP TO +85°C  
 COMPLIANCE: LEAD FREE & ROHS

**ELECTRICAL**  
 CURRENT RATING: 1.5A MAX  
 WORKING VOLTAGE: 30 VAC MAX  
 WITHSTANDING VOLTAGE: 500 VAC/MIN  
 INSULATION RESISTANCE: > 1000 MΩ  
 CONTACT RESISTANCE: 30 mΩ MAX

**MECHANICAL**  
 INSERTION FORCE: 35 N MAX  
 EXTRACTION FORCE: 10 N/MIN

**SOLDERING**  
 JEDEC LEAD FREE WAVE SOLDERING PROCESS

**PACKAGING**  
 TRAY

RoHS Compliant

PROJECTION:



GENERAL TOLERANCE

.X =  $\pm 0.2$

.XX =  $\pm 0.15$



APPROVAL: NPr

UNIT: MM

SCALE:

SHEET: 1/3

DRAW: AK

DESCRIPTION: USB TYPE A VERTICAL THT - SHORT TYPE

WERI PART NO: 614 004 185 023

SIZE

**A4**

A

B

C

D

1

2

3

4

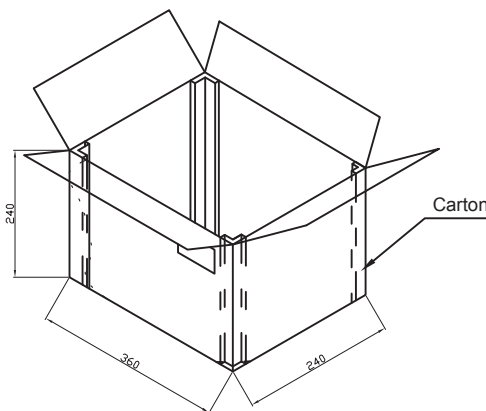
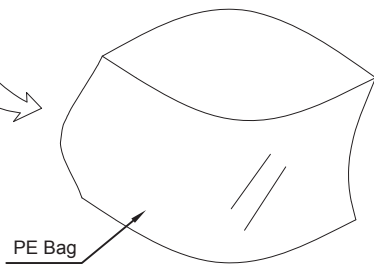
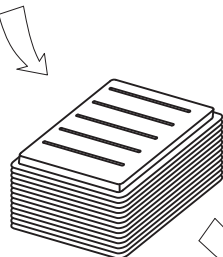
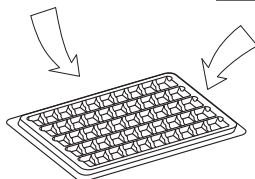
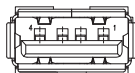
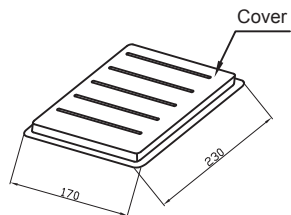
5

A

B

C

D



50 pcs/tray  
40 trays/carton  
2000 pcs/carton

RoHS Compliant			
G			
F			
E			
D			
C			
B			
A		PDF	
REV	DATE	FILE	BY

PROJECTION:

GENERAL TOLERANCE  
.X = +/- 0.2  
.XX = +/- 0.15



APPROVAL: NPr

UNIT: MM  
SCALE:  
SHEET: 2/3  
DRAW: AK

DESCRIPTION: USB TYPE A VERTICAL THT - SHORT TYPE  
WERI PART NO: 614 004 185 023

SIZE  
**A4**

1

2

3

4

5

## Cautions and Warnings:

This electronic component is designed and developed with the intention for use in general electronics equipments.

Before incorporating the components into any equipments in the field such as aerospace, aviation, nuclear control, submarine, transportation, (automotive control, train control, ship control), transportation signal, disaster prevention, medical, public information network etc. where higher safety and reliability are especially required or if there is possibility of direct damage or injury to human body, Würth Elektronik must be asked for a written approval.

In addition, even electronic component in general electronic equipments, when used in electrical circuits that require high safety, reliability functions or performance, the sufficient reliability evaluation-check for the safety must be performed before by the user before usage.

A

B

C

RoHS Compliant

G				PROJECTION: 	GENERAL TOLERANCE .X = +/- 0.2 .XX = +/- 0.15		
F							
E							
D							
C				APPROVAL: JC	UNIT: MM	DESCRIPTION: DISCLAIMER	SIZE <b>A4</b>
B					SCALE:		
A	10-SEP-14	PDF	QL		SHEET: 3/3	WERI PART NO: DISCLAIMER	
REV	DATE	FILE	BY		DRAW: QL		

D

# Mouser Electronics

Authorized Distributor

Click to View Pricing, Inventory, Delivery & Lifecycle Information:

[Wurth Elektronik:](#)

[614004185023](#)