



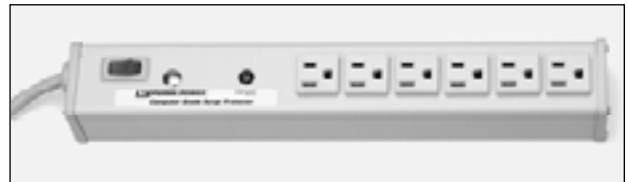
# WIREMOLD® High Performance Surge Protectors

## High Performance Surge Protectors Meet UL1449 Third Edition

**Wiremold® Sentrex®** High Performance Surge Protector Series and the **Perma Power®** Computer Grade Surge Protector Series include a wide range of solutions for point-of-use surge protection applications. By dissipating and diverting excess voltage, Sentrex and Perma Power surge protection devices keep your critical systems functioning properly.

Electrical surges are present in every AC power system. They can penetrate a facility via AC, telephone, and communication lines, or on any other wires that enter a building. Surges and noise are also generated inside a building by fluorescent lighting, office machines, electric motors and HVAC equipment. Surges can strike once a month or hundreds of times a day, destroying data and damaging valuable hardware.

Sentrex High Performance Cord-Ended Surge Protectors provide maximum protection for advanced electronic equipment. Perma Power Computer Grade units provide excellent point-of-use surge protection for personal computers, all-in-one machines, home electronics and appliances.



M6BZ



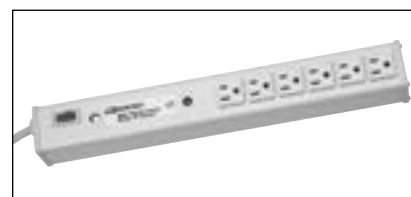
SRD10N

### FEATURES & BENEFITS

- **All lines are protected.** Units provide surge and noise protection on all three modes (L-N, L-G, and N-G). Units also have thermal protection on all three lines.
- **UL1449 Voltage Protection Rating (VPR).** Outstanding protection against harmful surges.
- **Nominal Discharge Current Rating (I<sub>n</sub>) of 3kA.** All Wiremold surge suppressors have this heavy duty rating.
- **EMI/RFI noise reduction.** Protects against data disruption due to electromagnetic or radio frequency interference.
- **Rugged construction.** Durable 2" x 1 3/4" [44mm x 51mm] aluminum housing. Some Perma Power units are available with an impact resistant plastic housing.
- **Aesthetically pleasing.** Putty white finish and putty white cord blend with any decor. M5S and M5BZ feature putty white housing with black outlets and a black cord.
- **Cord properly rated to load requirements.** 15A units have a 14/3 SJT cord and a NEMA 5-15P plug. 20A units have a 12/3 SJT cord and a NEMA 5-20P plug.
- **Lighted switch.** Most units have a lighted on/off switch to control power to the unit.
- **Protection indication.** All units have protection indication light(s) to show the status of the unit.
- **Resettable circuit breaker.** Provides overload protection.
- **Up to lifetime product warranty.** With connected equipment warranty up to \$30,000.
- **UL and cUL Listed.** All units are UL and cUL Listed and meets both UL1363 and UL1449 3rd Edition Standards for Surge Protection Devices.



M6SR

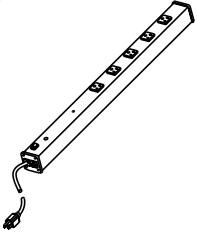
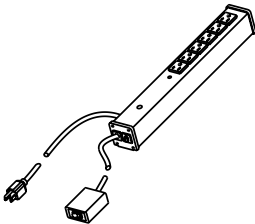
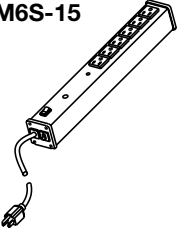



M6S

## Sentrex High Performance Surge Protectors Specifications

<b>Surge Protection Circuitry</b>	Patented 4 element, 4 stage hybrid circuit
<b>UL1449 Voltage Protection Rating (VPR)</b>	600 Volts
<b>Maximum Surge Current</b>	56,000 Amps (32,000A L-N, 12,000A L-G, 12,000A N-G)
<b>Nominal Discharge Current (I<sub>n</sub>)</b>	3kA
<b>Noise Reduction</b>	50 dB
<b>Response Time</b>	Less than 1 nanosecond
<b>Product Warranty</b>	Lifetime
<b>Connected Equipment Warranty</b>	\$30,000

## Sentrex High Performance Surge Protectors

Catalog No./Item	Description/Specifications	Catalog No./Item	Description/Specifications
<b>M5S</b> 	<b>High Performance Surge Protector</b> – Five outlets, lighted switch. Receptacles rotated 90° and spaced to accommodate transformers. Receptacle spacing 3" [76mm]. 6' [1.8m] cord. Length 24" [610mm].	<b>M6SR/M6SR-15</b> 	<b>High Performance Surge Protector</b> – Six outlets, remote switch. 6' [1.8m] or 15' [4.6m] power cord. Length 15 1/4" [387mm]. Remote cord length 44" [1.12m].
<b>M6S/M6S-15</b> 	<b>High Performance Surge Protector</b> – Six outlets, lighted switch. 6' [1.8m] or 15' [4.6m] cord. Length 15 1/4" [387mm].		

M6SR

### WHY DON'T WE SPECIFY JOULES?

The Joule rating does not provide an accurate indication of the robustness of a surge suppressor. The Joule rating is energy over time and it is very easy to artificially inflate the Joule rating by changing the time base. The Institute of Electrical and Electronics Engineers (IEEE), as well as the National Electrical Manufacturers Association (NEMA) both warn against using Joules to compare surge suppressors.

A much better indication of the robustness of a surge suppressor is the Nominal Discharge Current (I<sub>n</sub>). The Nominal Discharge Current is a rating of the current surge current the surge suppressor can handle for 15 surges and still remain functional. This rating is independently verified by Underwriters Laboratories (UL) and the rating is required to be marked on the surge suppressor.

In fact, UL requires that the surge suppressor must have an I<sub>n</sub> rating of 3kA or it is not suitable for installation closer than 30 feet [10m] from the service entrance. All of our surge suppressors have an I<sub>n</sub> rating of 3kA and can be used anywhere in the building.

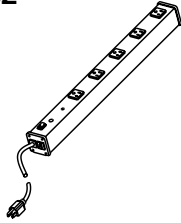
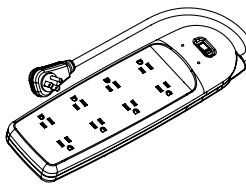
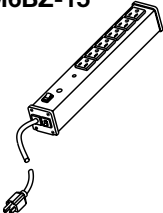
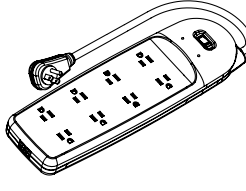
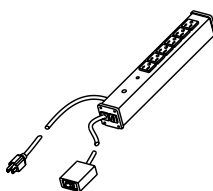
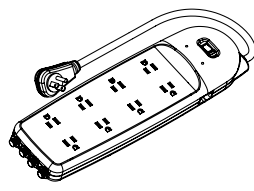
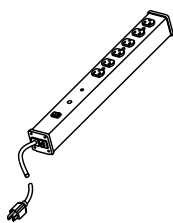
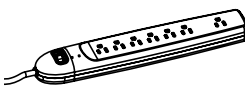
When comparing surge suppressors, don't be fooled by the Joule game. Look for an I<sub>n</sub> rating of 3kA to be sure you are getting the best in surge suppression.

## Perma Power Computer Grade Surge Protectors Specifications

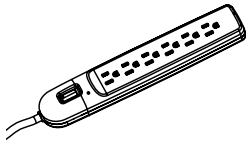
<b>Surge Protection Circuitry</b>	Single Stage
<b>UL1449 Voltage Protection Rating (VPR)</b>	600 Volts
<b>Maximum Surge Current</b>	36,000 Amps (12,000A L-N, 12,000A L-G, 12,000A N-G)
<b>Nominal Discharge Current (I<sub>n</sub>)</b>	3kA
<b>Noise Reduction</b>	35 dB
<b>Response Time</b>	Less than 1 nanosecond
<b>Product Warranty</b>	5-Year
<b>Connected Equipment Warranty</b>	\$10,000*

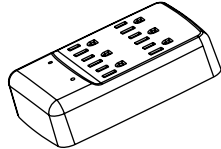
\* Except where noted.

## Perma Power Computer Grade Surge Protectors

Catalog No./Item	Description/Specifications	Catalog No./Item	Description/Specifications
<b>M5BZ</b> 	<b>Computer Grade Surge Protector</b> – Five outlets, lighted switch. Receptacles rotated 90° and spaced to accommodate transformers. Receptacle spacing 3" [76mm]. 6' [1.8m] cord. Length 21" [533mm].	<b>77000N</b> 	<b>Basic Surge Protection</b> – Eight outlets spaced for plug-in transformers, lighted switch, impact-resistant putty white polymeric housing. 15A . 6' [1.8m] 14/3 SJT putty white cord with NEMA5-15 plug.cord. Maximum surge current 6500 Amps. 14" x 4 1/4" x 1 1/2" [356mm x 108mm x 38mm]. Keyhole mounting.
<b>M6BZ/M6BZ-15</b> 	<b>Computer Grade Surge Protector</b> – Six outlets, lighted switch. 6' [1.8m] or 15' [4.6m] cord. Length 13 1/4" [337mm].	<b>77001N</b> 	<b>Basic Surge Protection plus phone/fax protection</b> – Eight outlets spaced for plug-in transformers, lighted switch, impact-resistant putty white polymeric housing. 15A . 6' [1.8m] 14/3 SJT putty white cord with NEMA5-15 plug.cord. Maximum surge current 6500 Amps. 14" x 4 1/4" x 1 1/2" [356mm x 108mm x 38mm]. Keyhole mounting.
<b>M6BZR/M6BZR-15</b> 	<b>Computer Grade Surge Protector</b> – Six outlets, remote switch. 6' [1.8m] or 15' [4.6m] power cord. Length 13 1/4" [337mm]. Remote cord length: 44" [1.12m].	<b>77002N</b> 	<b>Basic Surge Protection plus digital satellite, coax &amp; phone/fax protection</b> – Eight outlets spaced for plug-in transformers, lighted switch, impact-resistant putty white polymeric housing. 15A . 6' [1.8m] 14/3 SJT putty white cord with NEMA5-15 plug.cord. Maximum surge current 6500 Amps. 14" x 4 1/4" x 1 1/2" [356mm x 108mm x 38mm]. Keyhole mounting.
<b>M620BZLS/ M620BZLS-15</b> 	<b>Computer Grade Surge Protector</b> – Six 20A outlets, lighted switch. 6' [1.8m] or 15' [4.6m] cord. Length 18" [457mm].		
<b>SR10N</b> 	<b>Computer Grade Surge Protector</b> – Seven outlets, lighted switch. Plastic Housing. 6' [1.8m] cord. 13 1/4" x 2 1/2" x 1 9/16" [337mm x 64mm x 40mm].		

## Perma Power Computer Grade Surge Protectors (continued)

Catalog No./Item	Description/Specifications
<b>PR610N</b> 	<b>Computer Grade Surge Protector</b> – Six outlets, lighted switch. Plastic Housing. 6' [1.8m] cord. Maximum surge current 6500 Amps. 11 3/4" x 2 1/4" x 1 1/2" [298mm x 57mm x 38mm]

Catalog No./Item	Description/Specifications
<b>PR609N</b> 	<b>Computer Grade Surge Protector</b> – Six outlet wall plug. Maximum surge current 6500 Amps. Plastic Housing. 5" x 3 3/8" x 1 3/4" [127mm x 86mm x 44mm].



PR609N

**Questions? Call Technical Support today at 1-800-SENTREX.**



60 Woodlawn Street  
 West Hartford, CT 06110  
 Phone: 1.877.BY.LEGRAND (295-3472)  
[www.legrand.us/wiremold](http://www.legrand.us/wiremold)  
[www.legrand.ca](http://www.legrand.ca)  
 Phone: 905.738.9195



# Mouser Electronics

Authorized Distributor

Click to View Pricing, Inventory, Delivery & Lifecycle Information:

[Wiremold:](#)

[77002](#) [M6S](#) [77000N](#) [77001N](#) [PR610N](#) [SR10N](#) [SRD10N](#) [77002N](#) [M6BZNET](#) [M6BZNET-15](#)