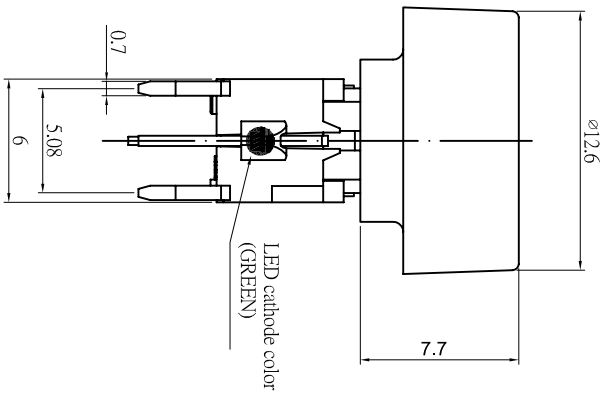
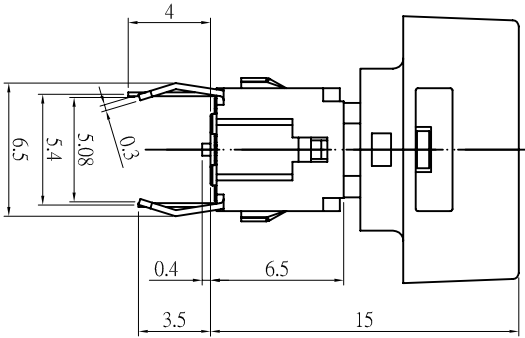
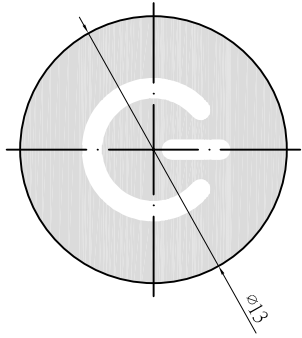
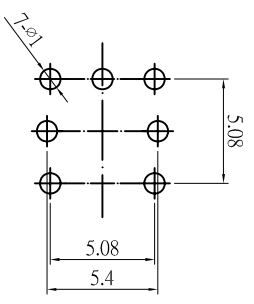


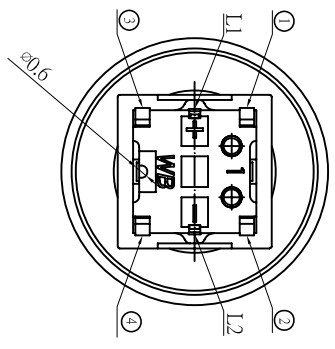
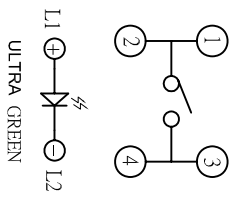
DIMENSION	TOLERANCE
BELOW 10 mm	± 0.3
10-100 mm	± 0.5
ABOVE 100 mm	± 0.8
ANGLE	± 3°



P.C.B LAYOUT



CIRCUIT DIAGRAM



1. RATING : 12 V DC , 50 mA .
2. CONTACT RESISTANCE : 100 mΩ MAX .1.5V DC ; 100mA.
3. INSULATION RESISTANCE : 500 V DC , 100MΩ MIN .
4. OPERATION FORCE : 180±50 gf .
5. OPERATION TEMPERATURE RANGE : -20°C ~ 70°C .
6. OPERATION LIFE : 500,000 CYCLES .

DATE	APPROVAL	DESIGN	ENGINEERING CHANGE DESCRIPTION	DATE	APPROVAL	DESIGN	UNIT	MODE	LED TACT SWITCH
				2010/11/22	KAVERN	PXZ	mm	PART	TC013-N11AR4XXX3UGXX
					ALAN		1 : 1	2D FILE NAME	TC013-N11AR4XXX3UGXX
							01	3D FILE NAME	



Mouser Electronics

Authorized Distributor

Click to View Pricing, Inventory, Delivery & Lifecycle Information:

[Well Buying:](#)

[TC013-N11AR4XKK3UGXX](#)