



Feature -

- small size
- bi-color LED illuminated available
- SPST, momentary function

Application -

- computer products
- office appliance
- communication equipments

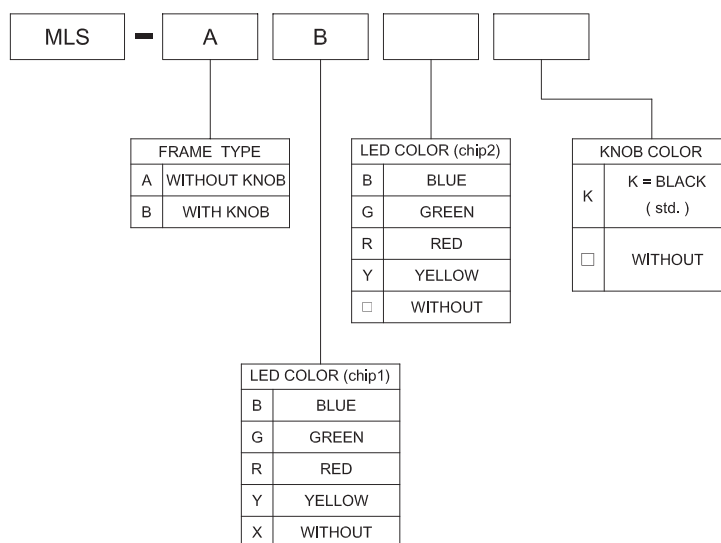
► **SPECIFICATIONS**

SWITCH SPECIFICATIONS	
POLE - POSITION	Momentary Type , SPST with LED
CONTACT RATING	36 V DC , 0.2 A
CONTACT RESISTANCE	40 mΩ MAX. 1.5 V DC ; 100 mA by Method of Voltage DROP
INSULATION RESISTANCE	100 MΩ MIN. 500 V DC
DIELECTRIC STRENGTH	Breakdown is not Allowable ; 500 V AC for 1 Minute
OPERATING FORCE	300 ± 100 gf
OPERATING LIFE	10,000 cycles
OPERATING TEMPERATURE RANGE	-20°C ~ 70°C
TOTAL TRAVEL	FULL TRAVEL : 2.4 ± 0.3 mm CONTACT TRAVEL : 1.6 ± 0.3 mm

LED SPECIFICATIONS						
ATTENTION	Unit	Value / LED Color				
		Blue	Green	Red	Yellow	
ATTENTION (+)○ — (−)○ LEDs are Electrostatic Sensitive devices						
FORWARD CURRENT	If	mA	20	20	20	20
REVERSE VOLTAGE	Vr	V	5.0	5.0	5.0	5.0
REVERSE CURRENT	Ir	μA	10	10	10	10
FORWARD VOLTAGE@20mA	Vf	V	3.3-4.0	2.1-2.5	2.0-2.5	2.0-2.5
LUMINOUS INTENSITY@20mA	Iv	mcd	1300	700	900	700

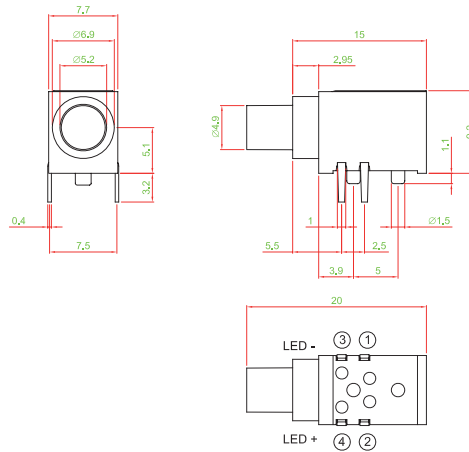
■ Physical and electrical information of LED will be provided upon customer's request on switches .

► **HOW TO ORDER**

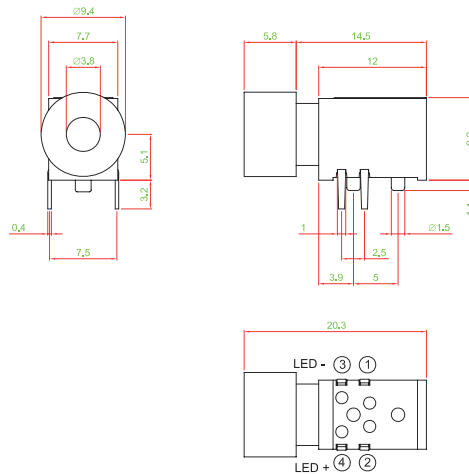


▶ DIMENSION

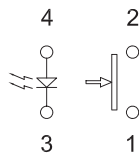
MLS - A □□



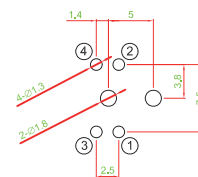
MLS - B □□K



▶ SCHEMATIC



▶ P.C.B LAYOUT



▶ MATERIAL

- COVER : PA + GF
- BASE FRAME : PA + GF
- ACTUATOR : PA + GF
- TERMINAL : SILVER PLATING

Mouser Electronics

Authorized Distributor

Click to View Pricing, Inventory, Delivery & Lifecycle Information:

[Well Buying:](#)

[MLS-AGR](#) [MLS-BGYK](#) [MLS-BBK](#)