



Feature -

- good actuation feeling
- full color LED illuminated available
- long electrical life cycles
- SPDT or DPDT, lock / non-lock function

Application -

- instrumentation
- communication equipments

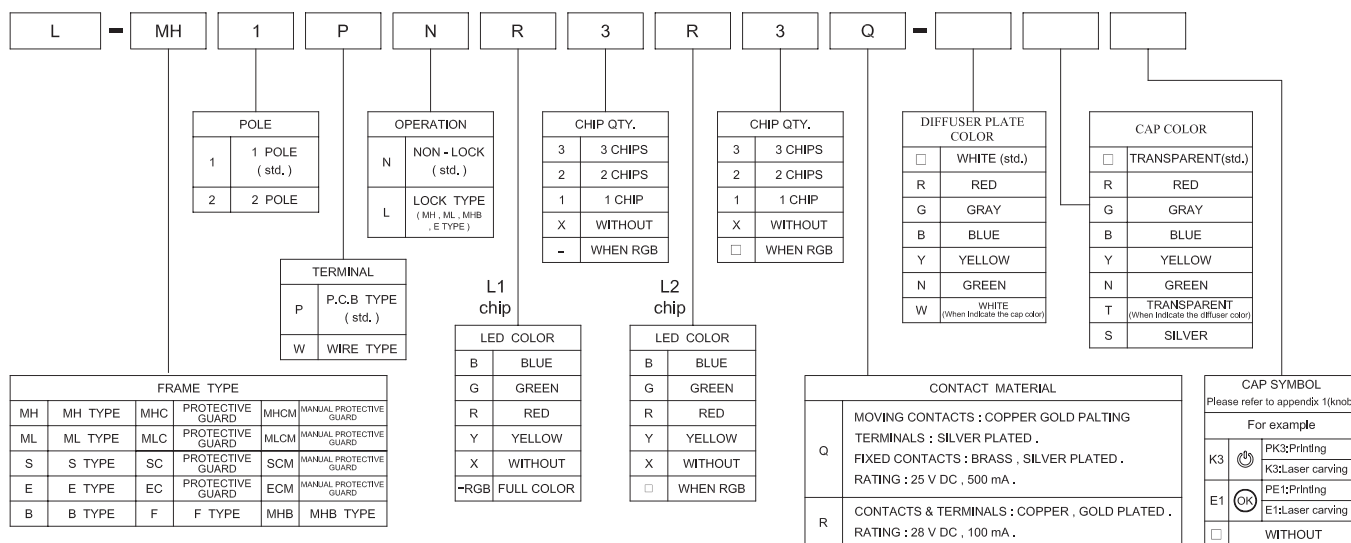
► SPECIFICATIONS

SWITCH SPECIFICATIONS	
POLE - POSITION	ON - < ON > for Momentary Type , ON - ON for Self - Lock Type SPDT , DPDT
CONTACT RATING	SEE CONTACT MATERIAL
CONTACT RESISTANCE	50 mΩ MAX. (SILVER CONTACT) ; 100 mΩ MAX. (GOLD PLATING CONTACT) , 1.5 V DC ; 100 mA , by Method of Voltage DROP
INSULATION RESISTANCE	100 MΩ MIN. 500 V DC
DIELECTRIC STRENGTH	Breakdown is not Allowable ; 1000 V AC for 1 Minute
OPERATING FORCE	200 ± 100 gf (SPDT) 300 ± 150 gf (DPDT)
OPERATING LIFE	200,000 cycles (SILVER CONTACT) 200,000 cycles (GOLD PLATING CONTACT)
OPERATING TEMPERATURE RANGE	-20°C ~ 70°C
TOTAL TRAVEL	2.2 ± 0.2 mm

LED SPECIFICATIONS		Value / LED Color			
ATTENTION (+) (-) LEDs are Electrostatic Sensitive devices	Unit	Red	Yellow	Green	Blue
	FORWARD CURRENT	If	20	20	20
REVERSE VOLTAGE	Vr	5.0	5.0	5.0	5.0
REVERSE CURRENT	Ir	10	10	10	10
FORWARD VOLTAGE@20mA	Vf	1.7-2.2	1.7-2.2	1.8-2.4	2.7-3.7
LUMINOUS INTENSITY@20mA	Iv	230	230	410	585

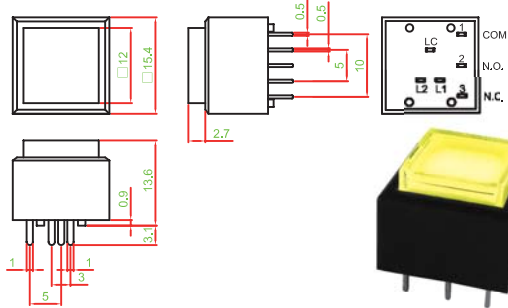
Physical and electrical information of LED will be provided upon customer's request on switches .

► HOW TO ORDER

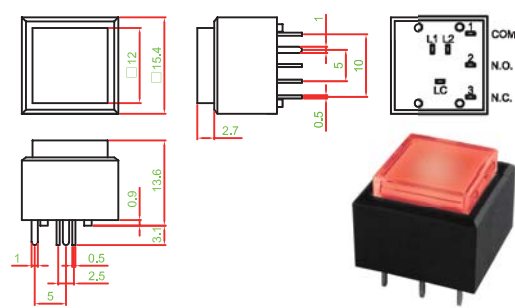


▶ DIMENSION & FRAME TYPE

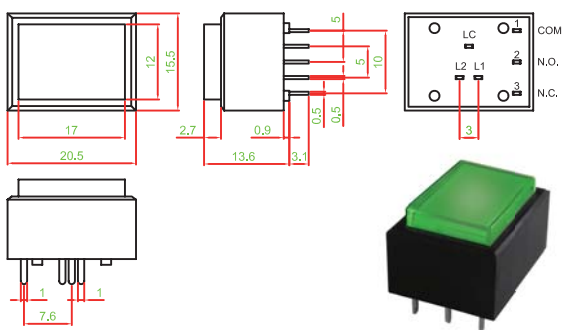
L - S1PN □□□□ Q



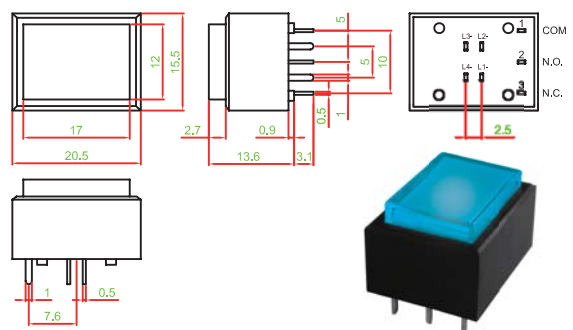
L - ML1PN □□□□ Q



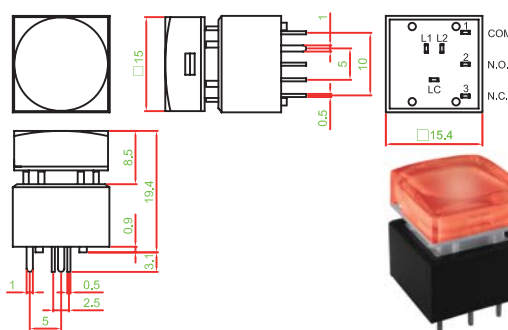
L - B1PN □□□□ Q



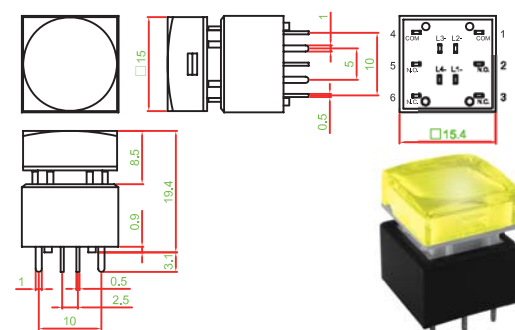
L - B1PN-RGB-Q



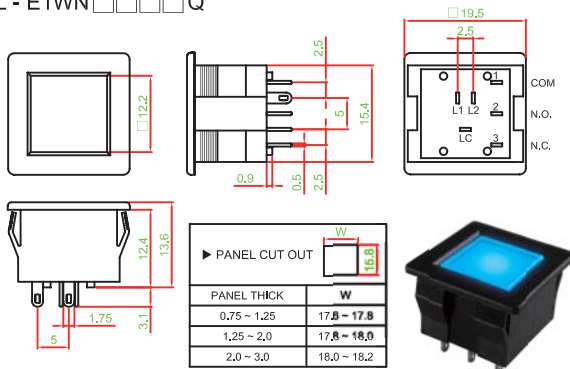
L - MH1PN □□□□ Q



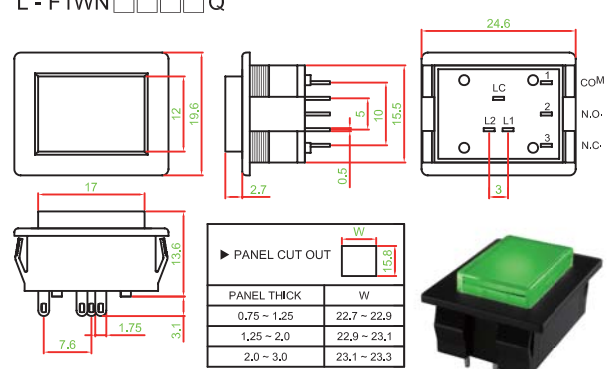
L - MH2PN-RGB-Q



L - E1WN □□□□ Q

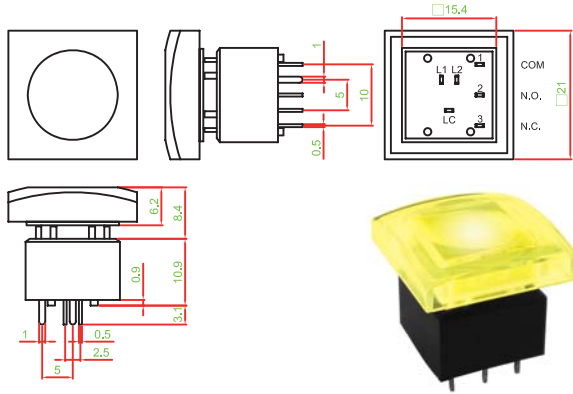


L - F1WN □□□□ Q

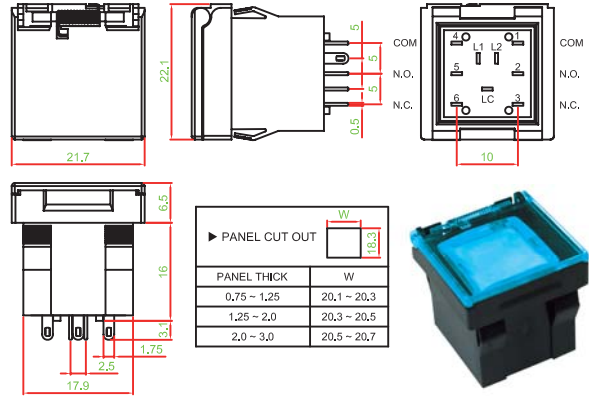


► DIMENSION & FRAME TYPE

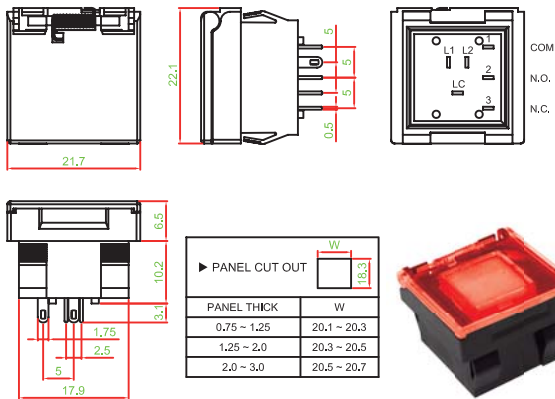
L - MHB1PN □□□□ Q



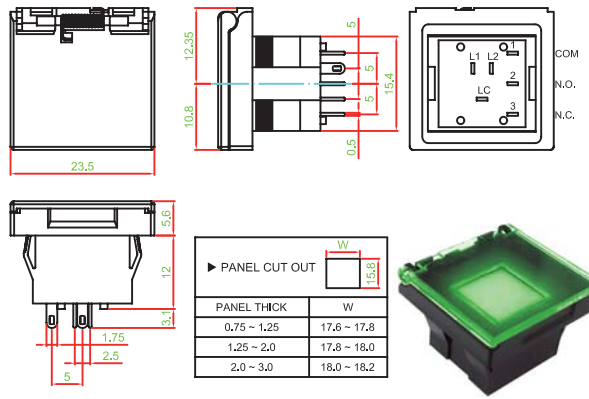
L - MHC2WN □□□□ Q



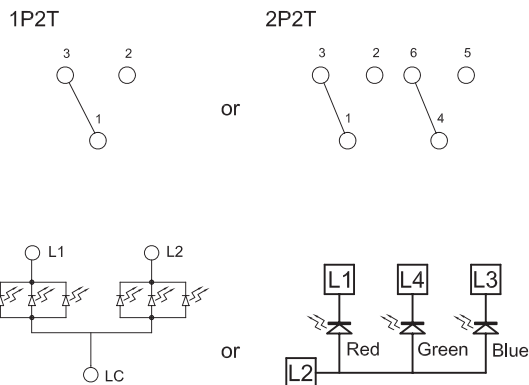
L - MLC1WN □□□□ Q



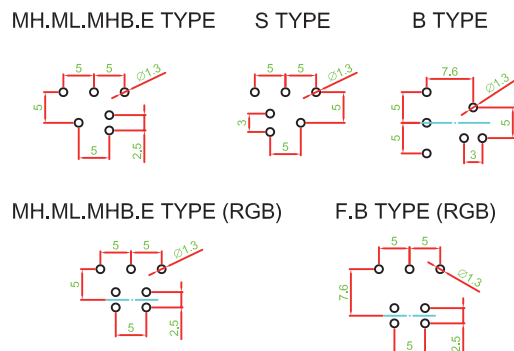
L - EC1WN □□□□ Q



► SCHEMATIC



► P.C.B LAYOUT



► MATERIAL

- COVER : PC
- ACTUATOR : POM
- BASE FRAME : PA + GF
- TERMINAL : Q : BRASS SILVER PLATING
R : BRASS GOLD PLATING

	0	1	2	3	4	5	6	7	8	9	10	11	12	13	14	15	16	17	18	19	
A	0	1	2	3	4	5	6	7	8	9	10	11	12	13	14	15	16	17	18	19	
B	A	B	C	D	E	F	G	H	I	J	CH5	CH6	DSK	PIP	C-KEY	CUT	TAKE	REC	ENG	PROD	
C	K	L	M	N	O	P	Q	R	S	T	REPLAY	RET1	RET2	KEY ON	AUTO TAKE						
D	U	V	W	X	Y	Z	POWER	ON OFF	ON	OFF		USER A	USER B	USER C	USER D	USER E	USER F	USER G	USER H	USER I	
E	OK		Auto	Enter	Start	STOP	OPEN	CLOSE	Exit	Move	USER J								M-1		
F	SET	Reset	Light	Alarm	Menu	Next	Back	Delete	Motor	Save											
G	Up	Down	Right	Left	Test	End	Insert	Lock	Print	+/-											
H	ESC	BC	HOME	Health	D-LED 2	OC GENIE	VIDEO INPUT	clr CMOS	Green Power	Save OK											
I	B/R	Undo Cancel	T/L	F1	F2	F3	F4	F5	F6	F7											
J	F8	F9	F10	F11	F12	F13	F14	IN 1	IN 2	IN 3											
K	IN 4	IN 5	IN 6																		
L	+	-	x	+	=	↑	→														
M							↑	→	↑	→											
N	↑	→	↑	←	▲	▶	◀	▶	◀	▶											
O			↔	◊	◊																
P				x	✓		Config.	TIME LINE	ME1	ME2											
Q	ME3	ME4	BGND 3D DVE1	BGND 3D DVE2	BUS COLOR	ME BUTTON LINK	*	INSERT	WIPE												
R	⏮	ALL		VP		COPY		RECORD MODE	↑												
S		♥	MUTE																		
T																					
U			chair	amb	mob	amb	store	store													
V			OC			CLEAR	CROSS WIND	AMMO TEMP	BARO PRESS	AIR TEMP											
W	BORE-SIGHT	CANT	LEAD	RANGE	MRS	ZERO	TEST	UD	LR												
X	ID	Disp	M/F	GALL	.	BAND	SETUP	MODE	LINK	FUNC.											
Y	SHIFT					DEL															
Z				RUN	2D	3D	CH1	CH2	CH3	CH4											

Mouser Electronics

Authorized Distributor

Click to View Pricing, Inventory, Delivery & Lifecycle Information:

[Well Buying:](#)

[L-F1PNR3R3Q](#) [L-MH1PLR3R3Q](#) [L-MH1PNW1XXQ](#) [L-ML1PLG3G3Q](#) [L-ML1PNR3R3Q](#) [L-ML1PNY3Y3Q](#)