



Feature -

- SPST, momentary function
- snap in panel mount installation
- bi-color LED illuminated available

Application -

- automotive industry
- computer products
- office appliances
- communication equipments

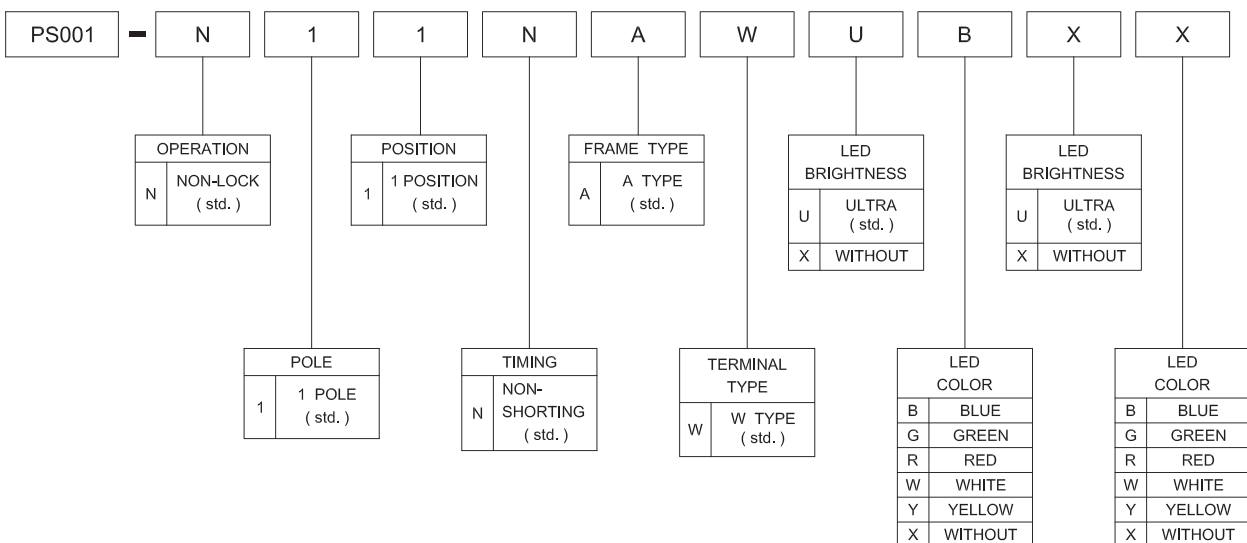
► **SPECIFICATIONS**

SWITCH SPECIFICATIONS	
POLE - POSITION	Momentary Type , SPST with LED
CONTACT RATING	30 V DC , 0.1 A
CONTACT RESISTANCE	50 mΩ MAX. 1.5 V DC ; 100 mA , by Method of Voltage DROP
INSULATION RESISTANCE	100 MΩ MIN. 500 V DC
DIELECTRIC STRENGTH	Breakdown is not Allowable ; 500 V AC for 1 Minute
OPERATING FORCE	250 ± 100 gf
OPERATING LIFE	50,000 cycles
OPERATING TEMPERATURE RANGE	-40°C ~ 85°C
TOTAL TRAVEL	1.3 ± 0.3 mm

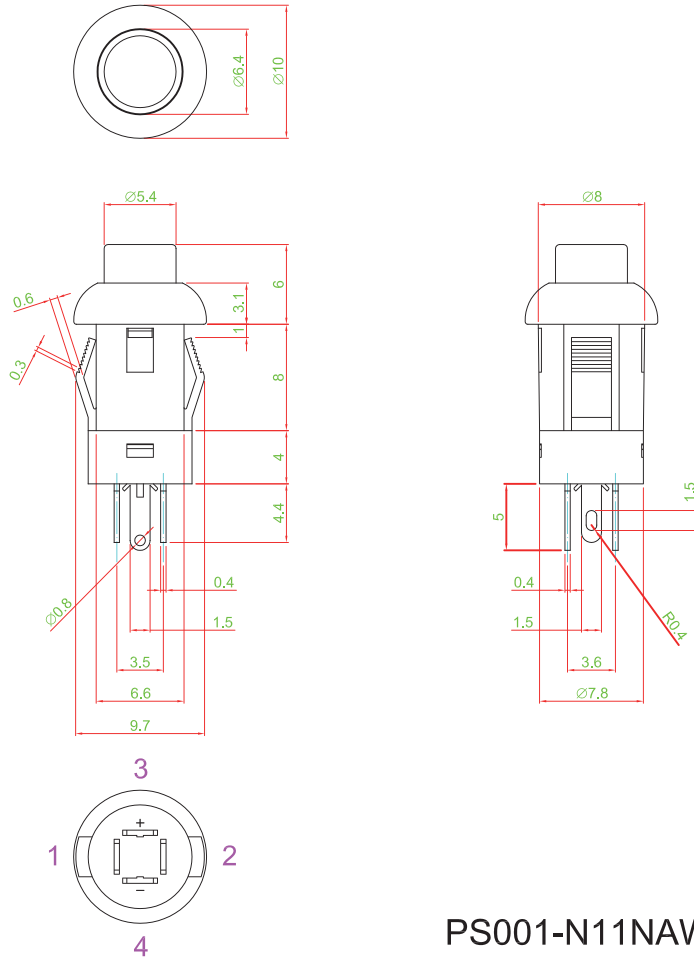
LED SPECIFICATIONS		Unit	Value / LED Color				
			Blue	Green	Red	Yellow	
ATTENTION (+) (-) LEDs are Electrostatic Sensitive devices	FORWARD CURRENT	If	20	20	20	20	
	REVERSE VOLTAGE	Vr	5.0	5.0	5.0	5.0	
	REVERSE CURRENT	Ir	10	10	10	10	
	FORWARD VOLTAGE@20mA	Vf	3.3-4.0	2.1-2.5	2.0-2.5	2.0-2.5	
	LUMINOUS INTENSITY@20mA	Iv	mcd	1300	700	900	700

■ Physical and electrical information of LED will be provided upon customer's request on switches .

► **HOW TO ORDER**

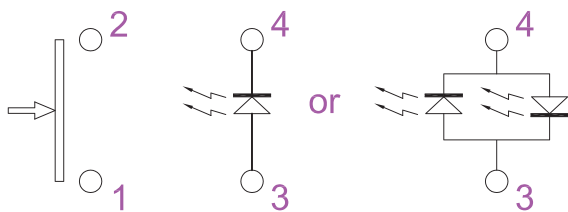


▶ DIMENSION

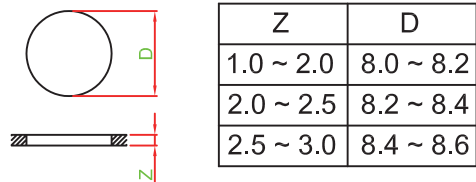


PS001-N11NAW

▶ CIRCUIT



▶ PANEL CUT OUT



▶ MATERIAL

- COVER : PA + GF
- BASE FRAME : PA + GF
- ACTUATOR : PC
- TERMINAL : BRASS GOLD FLASH

Mouser Electronics

Authorized Distributor

Click to View Pricing, Inventory, Delivery & Lifecycle Information:

[Well Buying:](#)

[PS001-N11NAWUBUG](#) [PS001-N11NAWUBUR](#) [PS001-N11NAWUGXX](#) [PS001-N11NAWUYXX](#) [PS001-N11NAWUBXX](#) [PS001-N11NAWURXX](#) [PS001-N11NAWURXX-W50-1](#)