



Feature :

- 5 direction navigation cap
- Panel mount and PCB module installation
- LED illumination

Application :

- Consumer products
- Computer products
- Instrumentation
- Communication equipments
- Home appliances

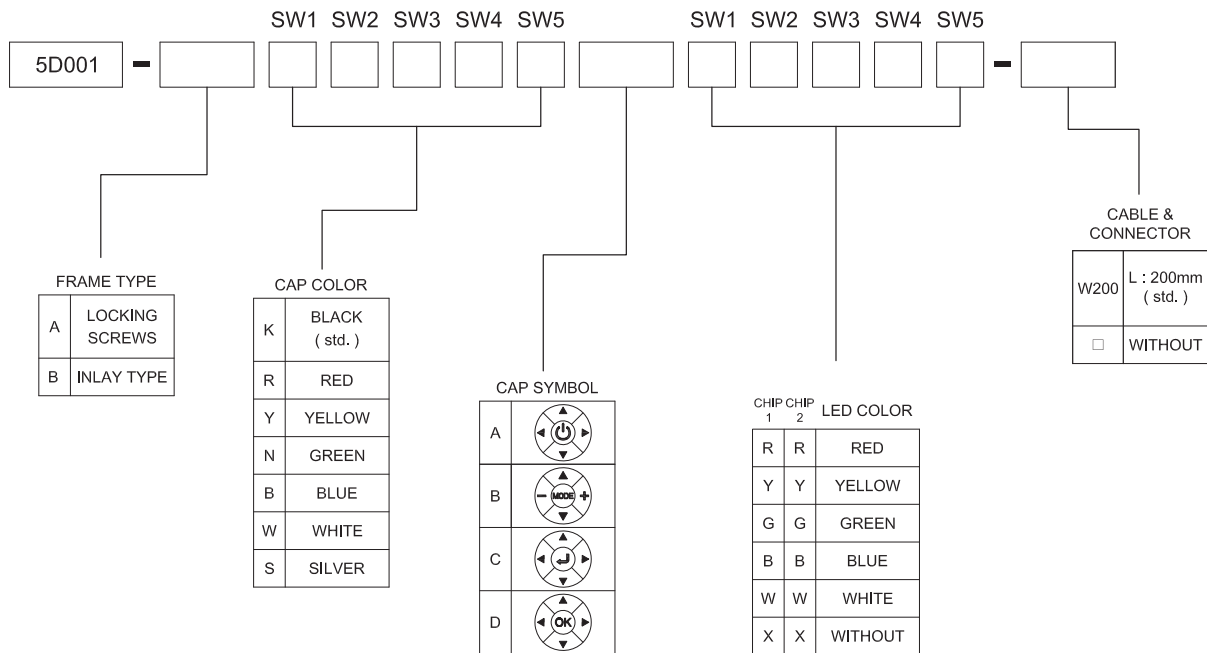


SWITCH SPECIFICATIONS	
POLE - POSITION	Momentary action , SPST
CONTACT RATING	12 V DC , 50 mA
CONTACT RESISTANCE	100 mΩ MAX. 5 V DC ; 1 A , by Method of Voltage DROP
INSULATION RESISTANCE	1000 MΩ MIN. 100 V DC for 1 minute
DIELECTRIC STRENGTH	Breakdown is not Allowable ; 250 V AC for 1 Minute
OPERATING FORCE	200 ± 80 gf ; 450 ± 150 gf
OPERATING LIFE	500,000 cycles
OPERATING TEMPERATURE RANGE	-40°C ~ 85°C
TOTAL TRAVEL	0.45 ± 0.15 mm

LED SPECIFICATIONS								
ATTENTION LEDs are Electrostatic Sensitive devices (+) (-)	Unit	Value / LED Color						
		Blue	Pure Green	Red	Yellow	Orange	Green	White
LUMINOUS INTENSITY@20mA Iv	mcd	80	150	220	180	320	50	450
Dominant Wavelength λD	nm	465	525	630	590	601	567	/
FORWARD VOLTAGE@20mA Vf	V	3.3	3.2	1.95	2	2.1	2.1	3.3

■ A single bin cannot be ordered, please contact us in advance if you need a particular bin sorting before placing your order to clarify the lead time, MOQ and pricing

▶ HOW TO ORDER

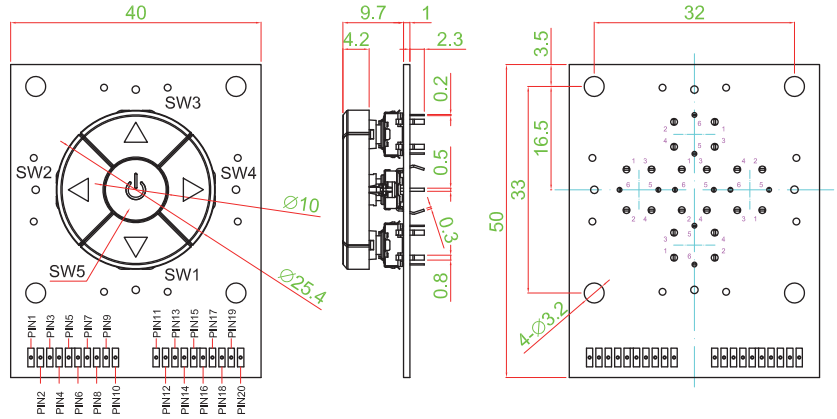


- TACT SWITCH
- PUSH BUTTON SWITCH
- LED TOUCH SENSOR SWITCH
- 5 DIRECTION NAVIGATION SWITCH WITH LED
- MEMBRANE SWITCH
- LED LIGHT BAR
- SLIDE SWITCH
- ROTARY SWITCH
- ROCKER SWITCH
- DETECT SWITCH
- ENCODER
- INTERRUPTER
- MINIATURE MICRO SWITCH
- TELEPHONE HOOK SWITCH
- DOOR SWITCH
- MINI SIZE SOCKET
- KNOB
- CAP SYMBOL

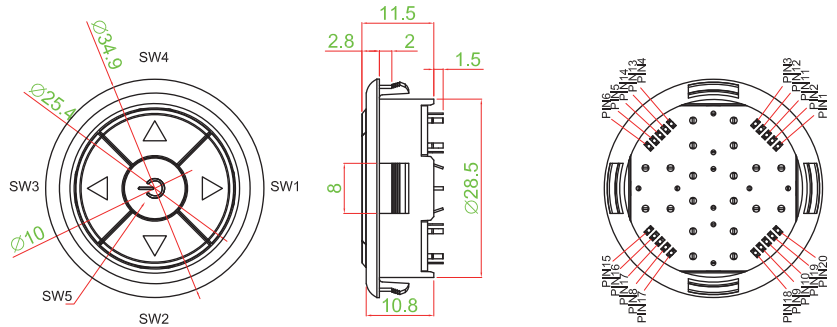


FRAME TYPE

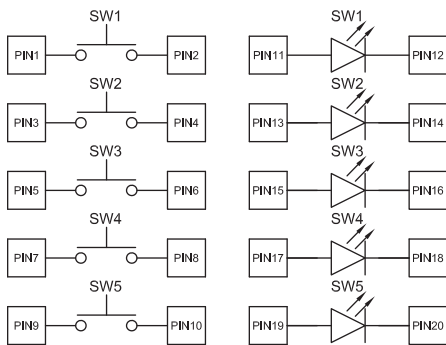
5D001-AKKKKKARXRXRXRXR



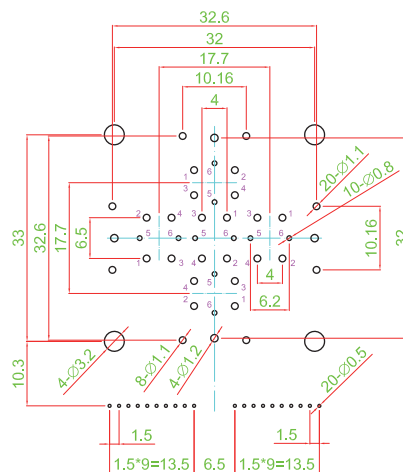
5D001-BKKKKKARXRXRXRXR



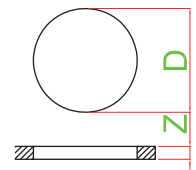
CIRCUIT



P.C.B LAYOUT



PANEL CUT OUT



Z	D
2.0 ~ 2.5	33.3~33.5
2.5 ~ 3.0	33.5~33.7

- TRACT SWITCH
- PUSH BUTTON SWITCH
- LED TOUCH SENSOR SWITCH
- 5 DIRECTION NAVIGATION SWITCH WITH LED
- MEMBRANE SWITCH
- LED LIGHT BAR
- SLIDE SWITCH
- ROTARY SWITCH
- ROCKER SWITCH
- DETECT SWITCH
- ENCODER
- INTERRUPTER
- MINIATURE MICRO SWITCH
- TELEPHONE HOOK SWITCH
- DOOR SWITCH
- MINI SIZE SOCKET
- KNOB
- CAP SYMBO

Mouser Electronics

Authorized Distributor

Click to View Pricing, Inventory, Delivery & Lifecycle Information:

Well Buying:

[5D001-BKKKKKAWXWXWXWX-W200](#) [5D001-BKKKKKABXBXBXB-X-W200](#) [5D001-BKKKKKAGXGXGXGXRX-](#)
[W200](#) [5D001-BKKKKKARXRXRXR-X-W200](#) [5D001-BKKKKKCBXBXBXB-X-W200](#) [5D001-](#)
[BKKKKKDBXBXBXB-X-W200](#) [5D001-BKKKKKDRXRXRXR-X-W200](#)