

FMC & PMC Mezzanine Cards describes a specification of I/O mezzanine modules in conjunction with FPGA or another device with configurable I/O capability. The design allows use on any industry standard slot card with form factors such as VME, VPX, CompactPCI, AdvancedTCA, MicroTCA, PCI, PXI, and many others.. Wakefield-Vette can customize your specific application needs for custom FMC & PMC Bezels.

Features:

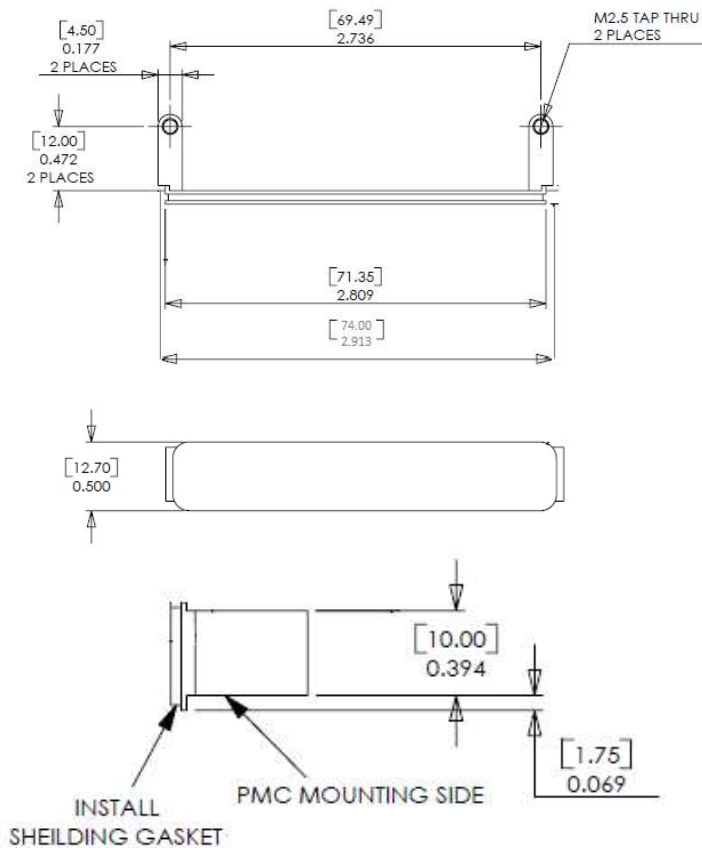
- Material: Aluminum
- Kit: Bezel, Elastomer Gasket, Two M2.5 x 6mm PH Stainless Steel Screws
- Custom cutouts, silkscreen or overlays available



WV Part Number	Description	Kit Description	Size
PMC-BEZEL-KIT-01	Aluminum PMC Bezel Kit (1050056-00)	PMC Bezel, Elastomer Gasket, Qty. Two M2.5 x 6mm Screws	0.659" L x 0.500" W x 2.913" H (16.75mm x 12.70mm x 74.00mm)
FMC-BEZEL-KIT-01	Aluminum FMC Bezel Kit (1050117-00)	FMC Bezel, Elastomer Gasket, Qty. Two M2.5 x 6mm Screws	0.659" L x 0.500" W x 2.404" H (16.75mm x 12.70mm x 61.00mm)
PMC-GASKET-01	PMC EMC GASKET O RING (1070010-00)	Spare, Replacement Component	
FMC-GASKET-01	FMC EMC GASKET O RING (1070036-00)	Spare, Replacement Component	

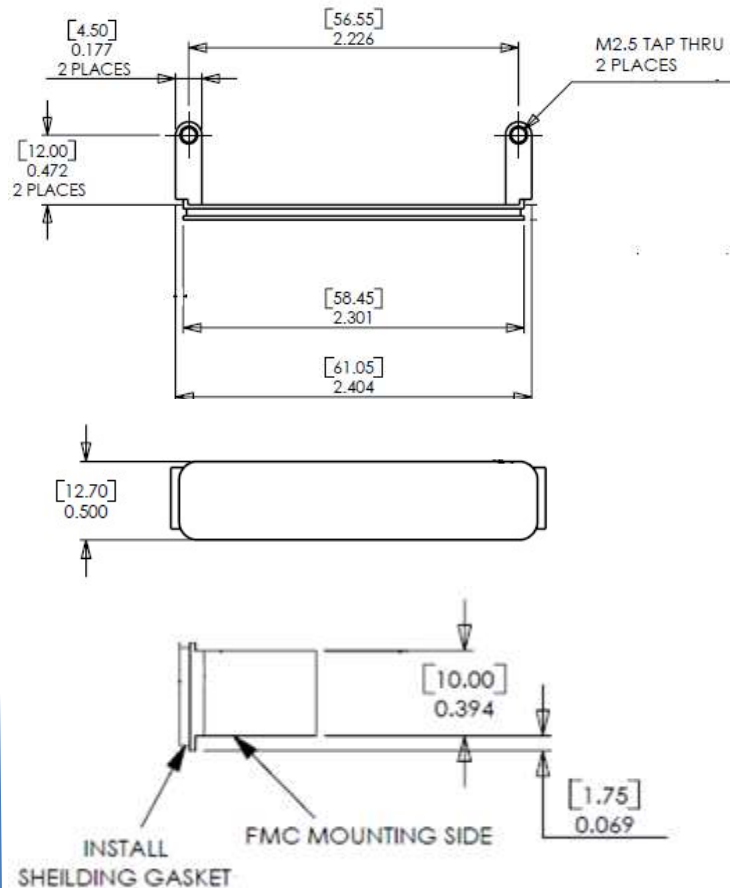
PMC-BEZEL-KIT-01

Kit with PMC Gasket & Mounting Hardware



FMC-BEZEL-KIT-01

Kit with FMC Gasket & Mounting Hardware



Mouser Electronics

Authorized Distributor

Click to View Pricing, Inventory, Delivery & Lifecycle Information:

[Wakefield-Vette:](#)

[PMC-BEZEL-KIT-01](#) [FMC-BEZEL-KIT-01](#) [FMC-GASKET-01](#) [PMC-GASKET-01](#)