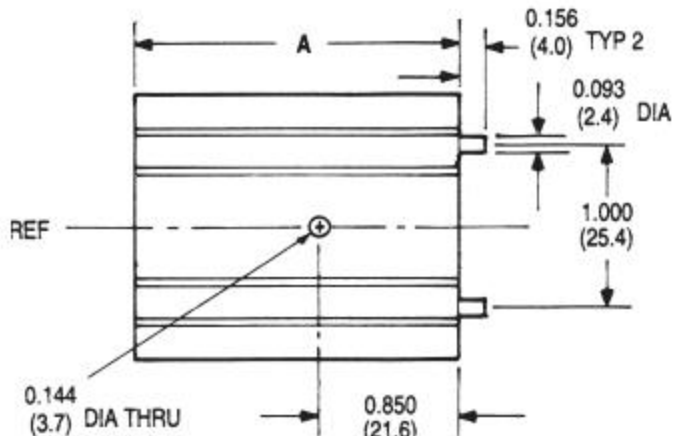
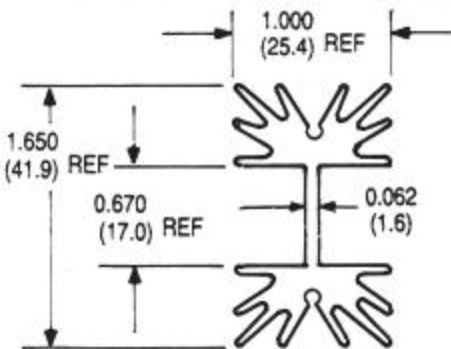


# wakefield-vette

| Standard P/N | Height Above PC Board "A" in. (mm) | Maximum Footprint in. (mm)  | Thermal Performance at Typical Load |                   | Weight lbs (grams) |
|--------------|------------------------------------|-----------------------------|-------------------------------------|-------------------|--------------------|
|              |                                    |                             | Natural Convection                  | Forced Convection |                    |
| 657-10ABEP   | 1.000 (25.4)                       | 1.650 (41.9) x 1.000 (25.4) | 41°C @ 6W                           | 3.7°C/W @ 200 LFM | 0.0515 (23.36)     |
| 657-15ABEP   | 1.500 (38.1)                       | 1.650 (41.9) x 1.000 (25.4) | 38°C @ 6W                           | 3.3°C/W @ 200 LFM | 0.0760 (34.60)     |
| 657-20ABEP   | 2.000 (50.8)                       | 1.650 (41.9) x 1.000 (25.4) | 32°C @ 6W                           | 2.9°C/W @ 200 LFM | 0.1030 (47.00)     |
| 657-25ABEP   | 2.500 (63.5)                       | 1.650 (41.9) x 1.000 (25.4) | 25°C @ 6W                           | 2.7°C/W @ 200 LFM | 0.1250 (57.00)     |

## MECHANICAL DIMENSIONS

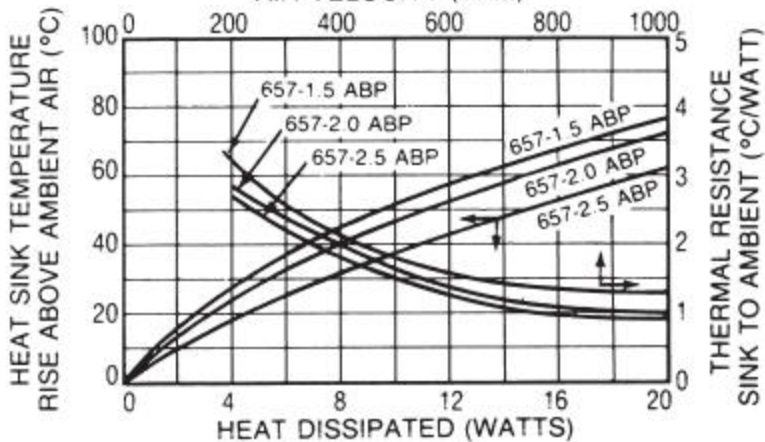
657 SERIES  
(EXTRUSION PROFILE 6533)



Dimensions: in. (mm)

## NATURAL AND FORCED CONVECTION CHARACTERISTICS

AIR VELOCITY (FPM)



# Mouser Electronics

Authorized Distributor

Click to View Pricing, Inventory, Delivery & Lifecycle Information:

[Wakefield-Vette:](#)

[657-15ABPE](#) [657-20ABEP](#) [657-25ABEP](#) [657-20ABEPSC](#) [657-25ABPE](#) [657-20ABPE](#) [657-10ABPE](#) [657-15ABPEN](#)  
[657-25ABPESC](#) [657-20ABPNE](#) [657-25ABPNE](#)