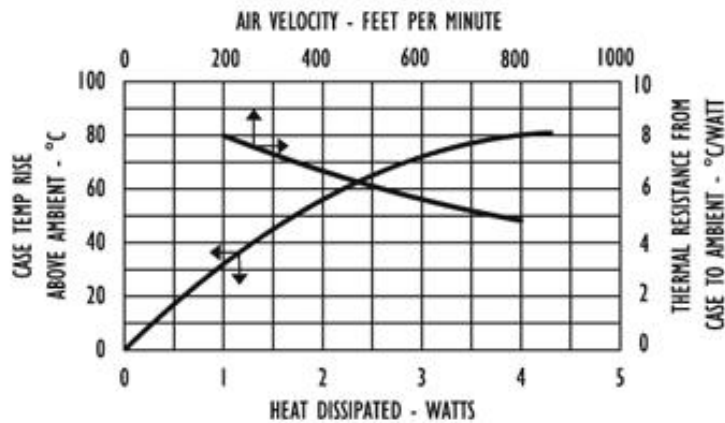
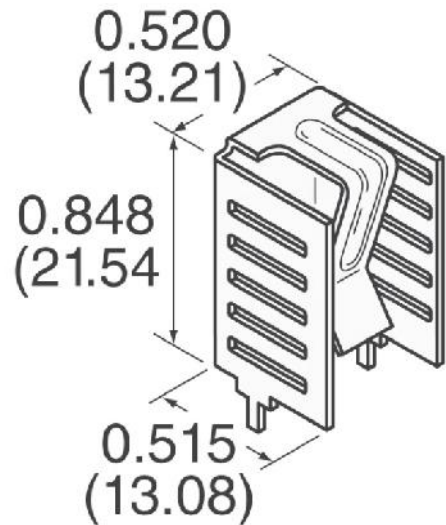
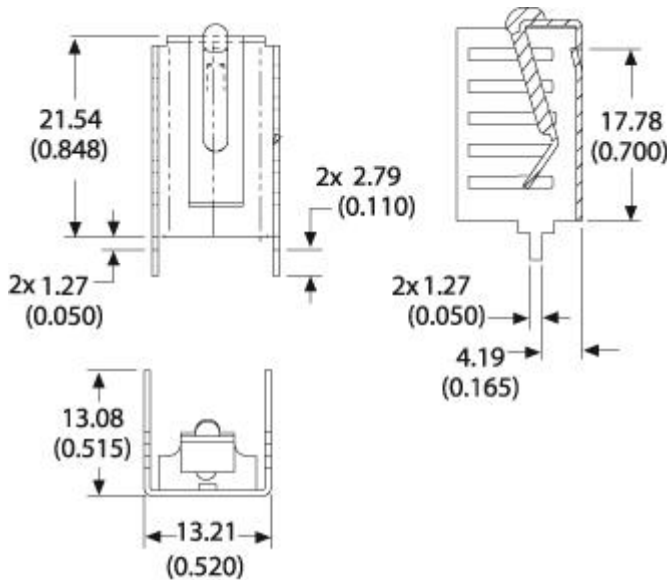


268-85CTE

Channel style TO-220 heat sink featuring integrated mounting clip

Product Specifications	
Material	Copper
Finish	Tin
Device Cooled	TO-220
Thermal Resistance	19.73
Length (mm)	21.55
Width (mm)	13.21
Height (mm)	13.08



# Mouser Electronics

Authorized Distributor

Click to View Pricing, Inventory, Delivery & Lifecycle Information:

[Wakefield-Vette:](#)

[268-85CTE](#)