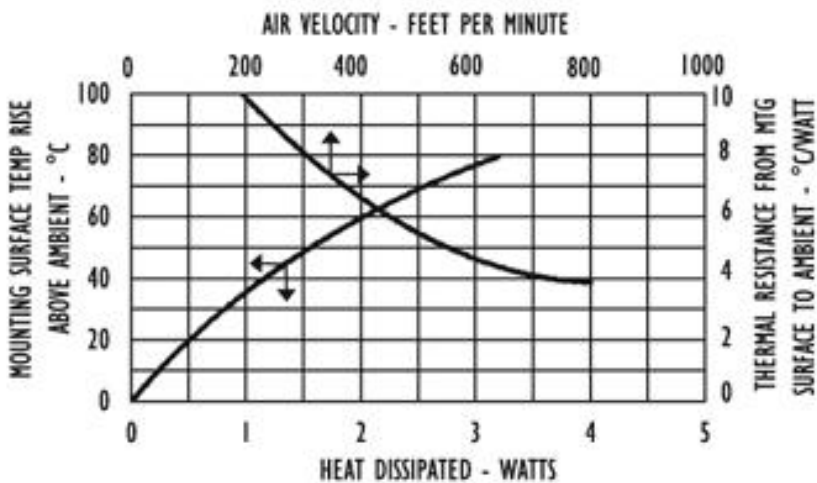
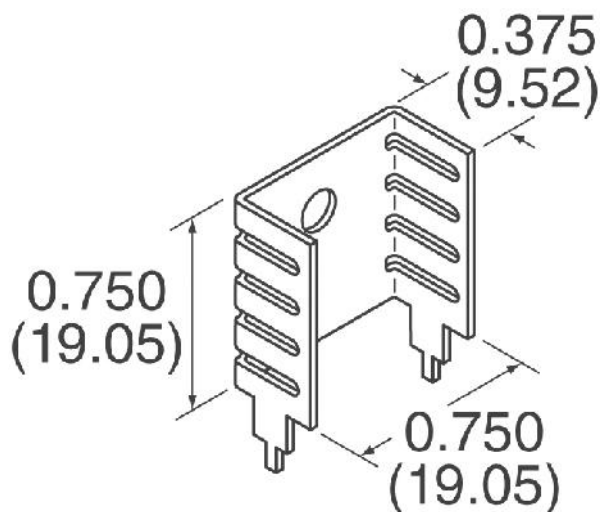
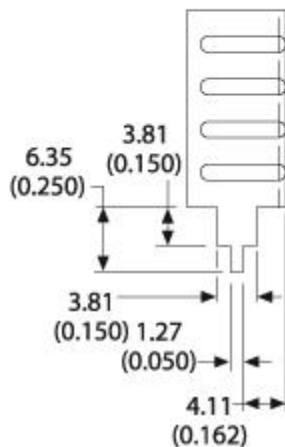
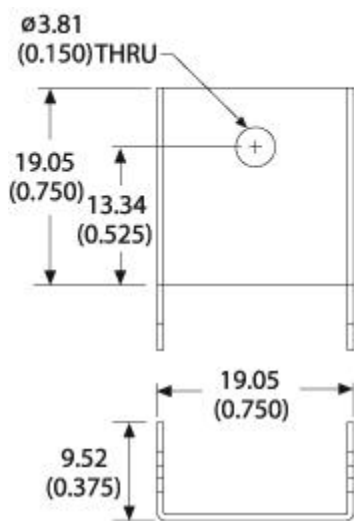


208-75CTE

Low cost vertical copper channel style heat sink featuring two integrated tabs for TO-220.

Product Specifications	
Material	Copper
Finish	Tin
Type	Passive
Device Cooled	TO-220
Thermal Resistance	25.80
Product Height (mm)	19.05
Product Length (mm)	19.05
Product Depth (mm)	9.52



Mouser Electronics

Authorized Distributor

Click to View Pricing, Inventory, Delivery & Lifecycle Information:

[Wakefield-Vette:](#)

[208-75CTE](#)