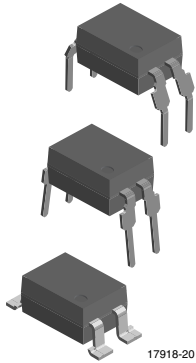
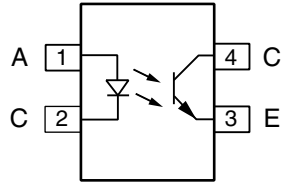


Optocoupler, Phototransistor Output, High Reliability, 5000 V_{RMS}, 110 °C Rated



17918-20



DESCRIPTION

The 110 °C rated SFH1617A (DIP) feature a high current transfer ratio, low coupling capacitance and high isolation voltage. These couplers have a GaAs infrared diode emitter, which is optically coupled to a silicon planar phototransistor detector, and is incorporated in a plastic DIP-4 package.

The coupling devices are designed for signal transmission between two electrically separated circuits.

The couplers are end-stackable with 2.54 mm spacing.

Creepage and clearance distances of > 8.0 mm are achieved with option 6. This version complies with IEC 60950 (DIN VDE 0805) for reinforced insulation up to an operation voltage of 400 V_{RMS} or DC. Specifications subject to change.

FEATURES

- Operating temperature from - 55 °C to + 110 °C
- Good CTR linearity depending on forward current
- Isolation test voltage, 5000 V_{RMS}
- High collector emitter voltage, V_{CEO} = 70 V
- Low saturation voltage
- Fast switching times
- Low CTR degradation
- Temperature stable
- Low coupling capacitance
- End stackable, 0.100" (2.54 mm) spacing
- High common mode interference immunity
- Material categorization: for definitions of compliance please see www.vishay.com/doc?99912



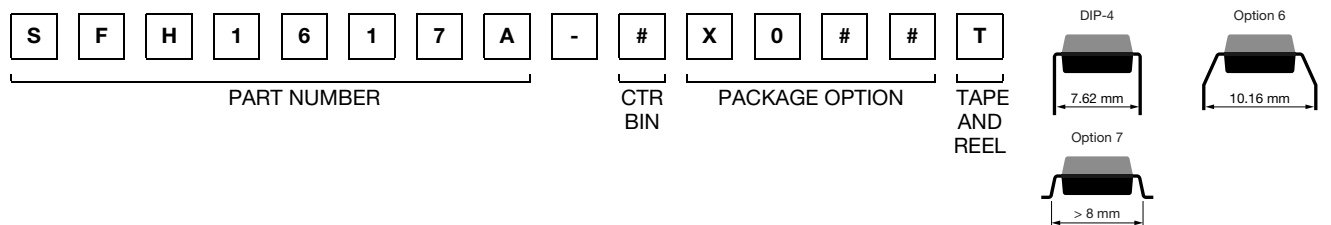
APPLICATIONS

- AC adapter
- SMPS
- PLC
- Factory automation
- Game consoles

AGENCY APPROVALS

- UL1577, file no. E52744
- cUL tested to CSA 22.2 bulletin 5A
- DIN EN 60747-5-2 (VDE 0884)/DIN EN 60747-5-5 (pending) available with option 1
- BSI EN 60950; EN 60065
- FIMKO
- CQC (pending)

ORDERING INFORMATION



AGENCY CERTIFIED/PACKAGE	CTR (%)			
UL, cUL, BSI, FIMKO	40 to 80	63 to 125	100 to 200	160 to 320
DIP-4	-	SFH1617A-2	SFH1617A-3	-
VDE, UL, cUL, BSI, FIMKO	40 to 80	63 to 125	100 to 200	160 to 320
DIP-4, 400 mil, option 6	-	-	SFH1617A-3X016	-
SMD-4, option 7	-	SFH617A-2X017T	-	-

Note

- Additional options may be possible, please contact sales office



ABSOLUTE MAXIMUM RATINGS (T _{amb} = 25 °C, unless otherwise specified)				
PARAMETER	TEST CONDITION	SYMBOL	VALUE	UNIT
INPUT				
Reverse voltage		V _R	6.0	V
DC forward current		I _F	60	mA
Surge forward current	t ≤ 10 μs	I _{FSM}	2.5	A
LED power dissipation		P _{diss}	70	mW
OUTPUT				
Collector emitter voltage		V _{CEO}	70	V
Emitter collector voltage		V _{ECO}	7.0	V
Collector current		I _C	50	mA
Collector peak current	t _p /T = 0.5, t _p ≤ 10 ms	I _{CM}	100	mA
Output power dissipation		P _{diss}	150	mW
COUPLER				
Isolation test voltage between emitter and detector, refer to climate DIN 40046, part 2, Nov. 74		V _{ISO}	5000	V _{RMS}
Isolation resistance	V _{IO} = 500 V, T _{amb} = 25 °C	R _{IO}	≥ 10 ¹²	Ω
	V _{IO} = 500 V, T _{amb} = 100 °C	R _{IO}	≥ 10 ¹¹	Ω
Storage temperature range		T _{stg}	-55 to +150	°C
Ambient temperature range		T _{amb}	-55 to +110	°C
Soldering temperature ⁽¹⁾	2 mm from case, ≤ 10 s	T _{slid}	260	°C

Notes

- Stresses in excess of the absolute maximum ratings can cause permanent damage to the device. Functional operation of the device is not implied at these or any other conditions in excess of those given in the operational sections of this document. Exposure to absolute maximum ratings for extended periods of the time can adversely affect reliability
- ⁽¹⁾ Refer to reflow profile for soldering conditions for surface mounted devices (SMD). Refer to wave profile for soldering conditions for through hole devices (DIP)

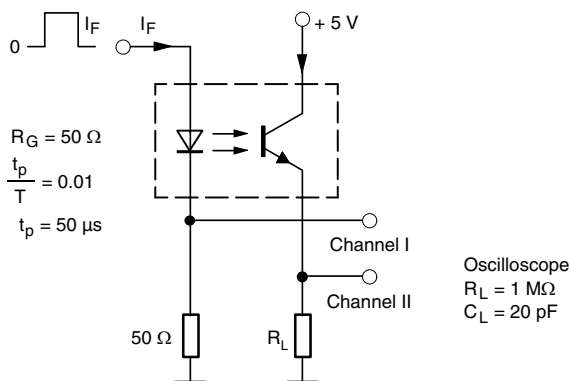
ELECTRICAL CHARACTERISTICS (T _{amb} = 25 °C, unless otherwise specified)							
PARAMETER	TEST CONDITION	PART	SYMBOL	MIN.	TYP.	MAX.	UNIT
INPUT							
Forward voltage	I _F = 60 mA		V _F	-	1.35	1.65	V
Reverse current	V _R = 6.0 V		I _R	-	0.01	10	μA
Capacitance	V _R = 0 V, f = 1.0 MHz		C _O	-	13	-	pF
OUTPUT							
Collector emitter capacitance	V _{CE} = 5.0 V, f = 1.0 MHz		C _{CCE}	-	5.2	-	pF
Collector emitter leakage current	V _{CE} = 10 V	SFH1617A-1	I _{CEO}	-	2.0	50	nA
		SFH1617A-2	I _{CEO}	-	2.0	50	nA
		SFH1617A-3	I _{CEO}	-	5.0	100	nA
		SFH1617A-4	I _{CEO}	-	5.0	100	nA
COUPLER							
Collector emitter saturation voltage	I _F = 10 mA, f = 1.0 MHz		V _{CEsat}	-	0.25	0.4	V
Coupling capacitance			C _C	-	0.4	-	pF

Note

- Minimum and maximum values are testing requirements. Typical values are characteristics of the device and are the result of engineering evaluation. Typical values are for information only and are not part of the testing requirements

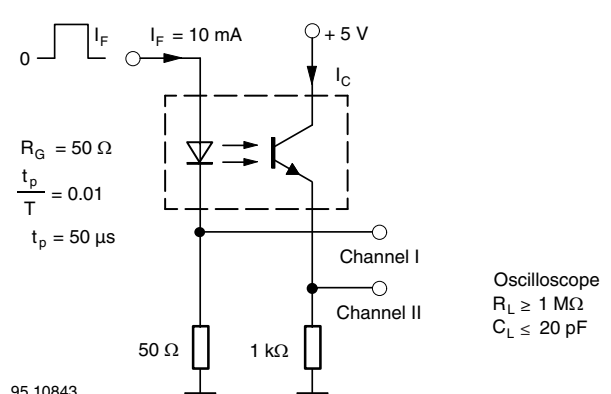
CURRENT TRANSFER RATIO ($T_{amb} = 25\text{ }^{\circ}\text{C}$, unless otherwise specified)							
PARAMETER	TEST CONDITION	PART	SYMBOL	MIN.	TYP.	MAX.	UNIT
I_C/I_F	$I_F = 10\text{ mA}$, $V_{CE} = 5.0\text{ V}$	SFH1617A-1	CTR	40	-	80	%
		SFH1617A-2	CTR	63	-	125	%
		SFH1617A-3	CTR	100	-	200	%
		SFH1617A-4	CTR	160	-	320	%
	$I_F = 1.0\text{ mA}$, $V_{CE} = 5.0\text{ V}$	SFH1617A-1	CTR	13	30	-	%
		SFH1617A-2	CTR	22	45	-	%
		SFH1617A-3	CTR	34	70	-	%
		SFH1617A-4	CTR	56	90	-	%

SWITCHING CHARACTERISTICS ($T_{amb} = 25\text{ }^{\circ}\text{C}$, unless otherwise specified)							
PARAMETER	TEST CONDITION	PART	SYMBOL	MIN.	TYP.	MAX.	UNIT
NON-SATURATED							
Turn-on time	$I_F = 10\text{ mA}$, $V_{CC} = 5.0\text{ V}$, $R_L = 75\text{ }\Omega$		t_{on}	-	3.0	-	μs
Rise time	$I_F = 10\text{ mA}$, $V_{CC} = 5.0\text{ V}$, $R_L = 75\text{ }\Omega$		t_r	-	2.0	-	μs
Turn-off time	$I_F = 10\text{ mA}$, $V_{CC} = 5.0\text{ V}$, $R_L = 75\text{ }\Omega$		t_{off}	-	2.3	-	μs
Fall time	$I_F = 10\text{ mA}$, $V_{CC} = 5.0\text{ V}$, $R_L = 75\text{ }\Omega$		t_f	-	2.0	-	μs
Cut-off frequency	$I_F = 10\text{ mA}$, $V_{CC} = 5.0\text{ V}$		f_{ctr}	-	100	-	kHz
SATURATED							
Turn-on time	$I_F = 20\text{ mA}$	SFH1617A-1	t_{on}	-	3.0	-	μs
	$I_F = 10\text{ mA}$	SFH1617A-2	t_{on}	-	4.2	-	μs
		SFH1617A-3	t_{on}	-	4.2	-	μs
	$I_F = 5.0\text{ mA}$	SFH1617A-4	t_{on}	-	6.0	-	μs
Rise time	$I_F = 20\text{ mA}$	SFH1617A-1	t_r	-	2.0	-	μs
	$I_F = 10\text{ mA}$	SFH1617A-2	t_r	-	3.0	-	μs
		SFH1617A-3	t_r	-	3.0	-	μs
	$I_F = 5.0\text{ mA}$	SFH1617A-4	t_r	-	4.6	-	μs
Turn-off time	$I_F = 20\text{ mA}$	SFH1617A-1	t_{off}	-	18	-	μs
	$I_F = 10\text{ mA}$	SFH1617A-2	t_{off}	-	23	-	μs
		SFH1617A-3	t_{off}	-	23	-	μs
	$I_F = 5.0\text{ mA}$	SFH1617A-4	t_{off}	-	25	-	μs
Fall time	$I_F = 20\text{ mA}$	SFH1617A-1	t_f	-	11	-	μs
	$I_F = 10\text{ mA}$	SFH1617A-2	t_f	-	14	-	μs
		SFH1617A-3	t_f	-	14	-	μs
	$I_F = 5.0\text{ mA}$	SFH1617A-4	t_f	-	15	-	μs



95 10804-3

Fig. 1 - Test Circuit, Non-Saturated Operation



95 10843

Fig. 2 - Test Circuit, Saturated Operation

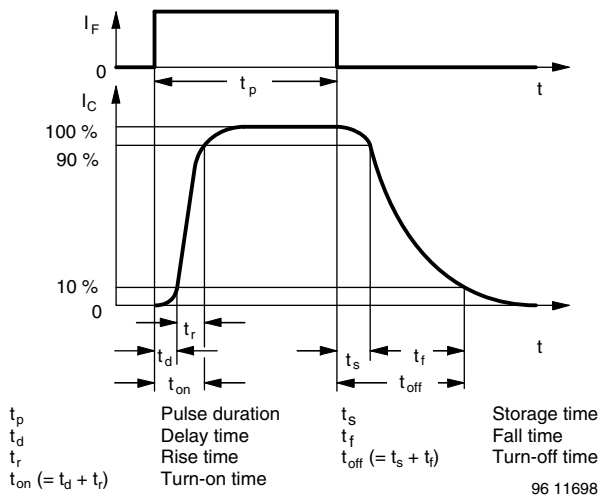


Fig. 3 - Switching Times

SAFETY AND INSULATION RATINGS						
PARAMETER	TEST CONDITION	SYMBOL	MIN.	TYP.	MAX.	UNIT
Climatic classification	According to IEC 68 part 1		-	55 / 110 / 21	-	
Comparative tracking index		CTI	175	-	399	
Rated impulse voltage		V_{IOTM}	-	-	8	kV
Maximum working voltages	Recurring peak voltage	V_{IORM}	-	-	890	V
Forward current		I_{SI}	-	-	275	mA
Power dissipation		P_{SO}	-	-	400	mW
Safety temperature		T_{SI}	-	-	175	°C
Creepage distance			7.0	-	-	mm
Clearance distance			7.0	-	-	mm
Isolation distance	per IEC 60950 2.10.5.1		0.4	-	-	mm

Note

- According to DIN EN 60747-5-2 (VDE 0884). These optocouplers are suitable for “safe electrical insulation” only within the safety ratings. Compliance with the safety ratings shall be ensured by means of protective circuits

TYPICAL CHARACTERISTICS ($T_{amb} = 25\text{ }^{\circ}\text{C}$, unless otherwise specified)

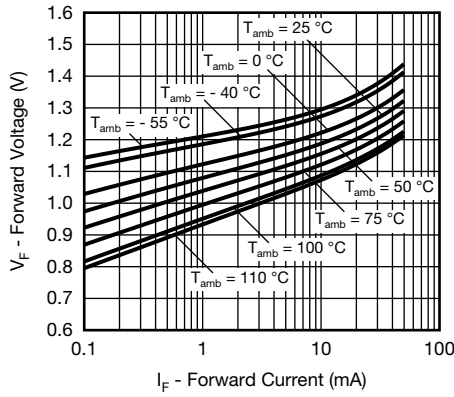


Fig. 4 - Forward Voltage vs. Forward Current

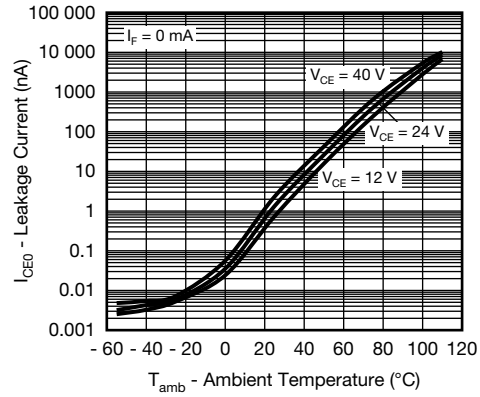


Fig. 7 - Leakage Current vs. Ambient Temperature

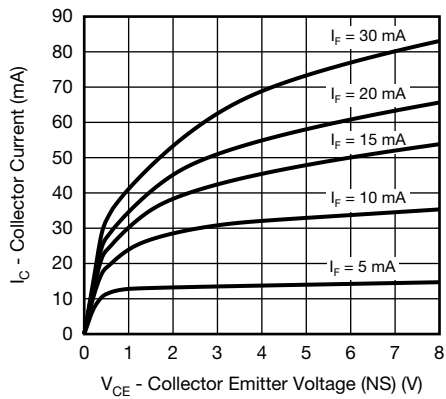


Fig. 5 - Collector Current vs. Collector Emitter Voltage (NS)



Fig. 8 - Normalized CTR (NS) vs. Ambient Temperature

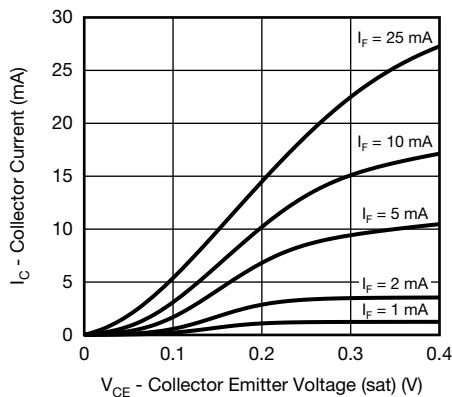


Fig. 6 - Collector Current vs. Collector Emitter Voltage (sat)

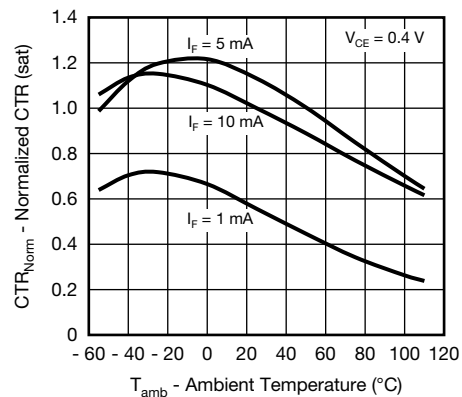


Fig. 9 - Normalized CTR (sat) vs. Ambient Temperature

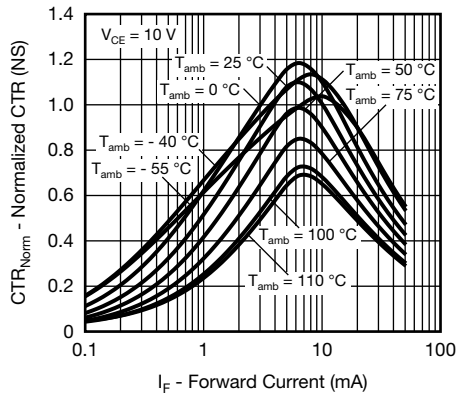


Fig. 10 - Normalized CTR (NS) vs. Forward Current

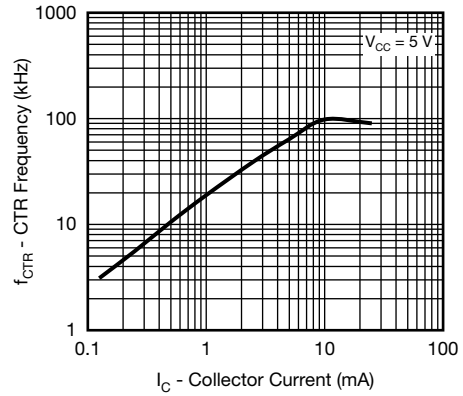


Fig. 13 - CTR Frequency vs. Collector Current

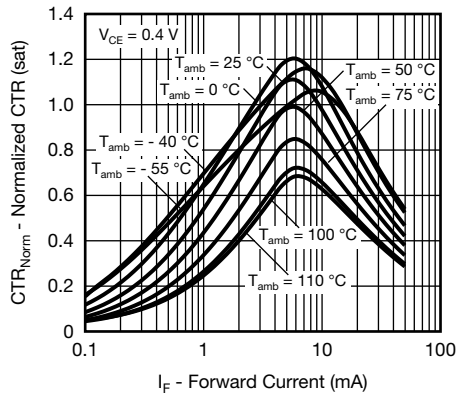


Fig. 11 - Normalized CTR (sat) vs. Forward Current



Fig. 14 - Switching Time vs. Load Resistance

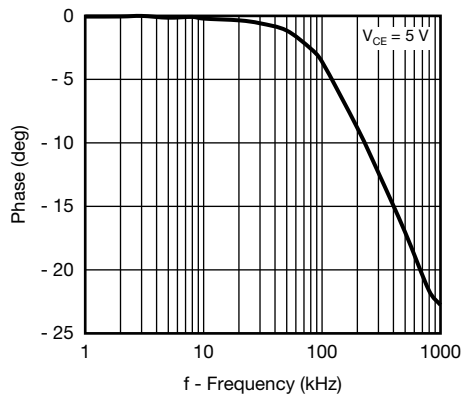
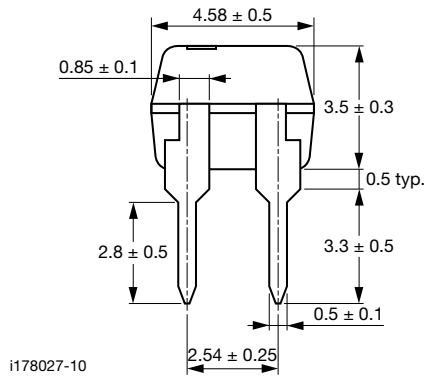
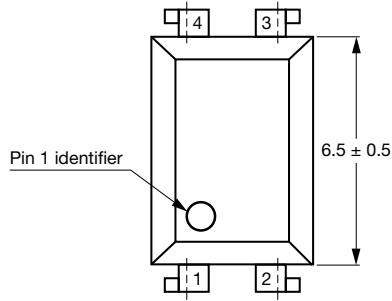


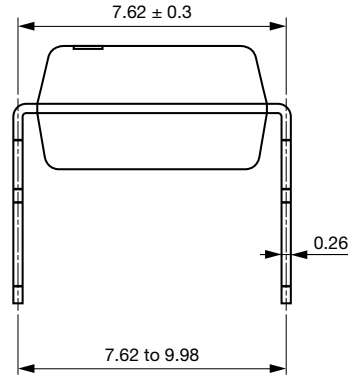
Fig. 12 - CTR Frequency vs. Phase Angle



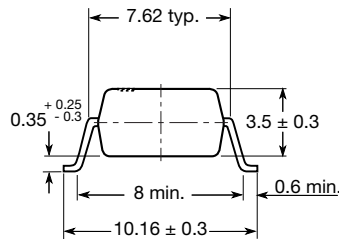
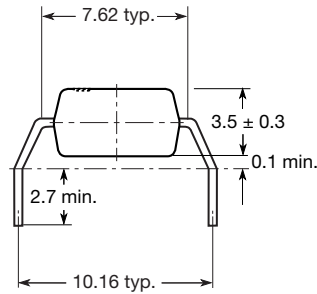
PACKAGE DIMENSIONS in millimeters



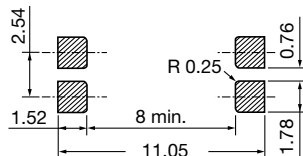
Option 6



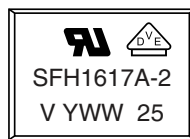
Option 7



20802-30



PACKAGE MARKING



Notes

- VDE logo is only marked on option 1 parts. Option information is not marked on the part
- Tape and reel suffix (T) is not part of the package marking



Disclaimer

ALL PRODUCT, PRODUCT SPECIFICATIONS AND DATA ARE SUBJECT TO CHANGE WITHOUT NOTICE TO IMPROVE RELIABILITY, FUNCTION OR DESIGN OR OTHERWISE.

Vishay Intertechnology, Inc., its affiliates, agents, and employees, and all persons acting on its or their behalf (collectively, "Vishay"), disclaim any and all liability for any errors, inaccuracies or incompleteness contained in any datasheet or in any other disclosure relating to any product.

Vishay makes no warranty, representation or guarantee regarding the suitability of the products for any particular purpose or the continuing production of any product. To the maximum extent permitted by applicable law, Vishay disclaims (i) any and all liability arising out of the application or use of any product, (ii) any and all liability, including without limitation special, consequential or incidental damages, and (iii) any and all implied warranties, including warranties of fitness for particular purpose, non-infringement and merchantability.

Statements regarding the suitability of products for certain types of applications are based on Vishay's knowledge of typical requirements that are often placed on Vishay products in generic applications. Such statements are not binding statements about the suitability of products for a particular application. It is the customer's responsibility to validate that a particular product with the properties described in the product specification is suitable for use in a particular application. Parameters provided in datasheets and / or specifications may vary in different applications and performance may vary over time. All operating parameters, including typical parameters, must be validated for each customer application by the customer's technical experts. Product specifications do not expand or otherwise modify Vishay's terms and conditions of purchase, including but not limited to the warranty expressed therein.

Hyperlinks included in this datasheet may direct users to third-party websites. These links are provided as a convenience and for informational purposes only. Inclusion of these hyperlinks does not constitute an endorsement or an approval by Vishay of any of the products, services or opinions of the corporation, organization or individual associated with the third-party website. Vishay disclaims any and all liability and bears no responsibility for the accuracy, legality or content of the third-party website or for that of subsequent links.

Except as expressly indicated in writing, Vishay products are not designed for use in medical, life-saving, or life-sustaining applications or for any other application in which the failure of the Vishay product could result in personal injury or death. Customers using or selling Vishay products not expressly indicated for use in such applications do so at their own risk. Please contact authorized Vishay personnel to obtain written terms and conditions regarding products designed for such applications.

No license, express or implied, by estoppel or otherwise, to any intellectual property rights is granted by this document or by any conduct of Vishay. Product names and markings noted herein may be trademarks of their respective owners.

Mouser Electronics

Authorized Distributor

Click to View Pricing, Inventory, Delivery & Lifecycle Information:

Vishay:

[SFH1617A-2X001](#) [SFH1617A-2X006](#) [SFH1617A-2X007T](#) [SFH1617A-2X016](#) [SFH1617A-3X001](#) [SFH1617A-3X006](#)
[SFH1617A-3X007T](#) [SFH1617A-3X017T](#) [SFH1617A-4](#) [SFH1617A-2X018T](#)