

SMD PTC Thermistors For Overload Protection



FEATURES

- Compact resettable overload protection
- Low mounting height
- Suitable for reflow soldering
- Small ceramic diameter for faster response
- Low heat transfer to substrate
- Flat terminations for stable positioning and good solderability
- Material categorization: for definitions of compliance please see www.vishay.com/doc?99912


RoHS
COMPLIANT

QUICK REFERENCE DATA			
PARAMETER	VALUE		UNIT
	STANDARD TYPES ⁽¹⁾	TELECOM TYPES ⁽¹⁾	
Resistance value at 25 °C	2 to 500	10 to 70	Ω
Tolerance on R_{25} value	± 10; ± 15; ± 20		%
Maximum overload current I_{ol} (V_{max} . dependent)	2 to 10		A
Maximum holding current (I_{ht})	50 to 500 (at 25 °C)	50 to 100 (at 70 °C)	
Maximum voltage (RMS or DC)	16 to 400	220 to 600	V_{RMS}
Maximum trip time at 1 A	0.8 to 6		s
Switching temperature (T_{sw})	105 to 140		°C
Operating temperature range at max. voltage	-40 to 85		
Storage temperature	-40 to 155		
Maximum continuous power at 25 °C	2		W

Note

⁽¹⁾ Customized products are available on request in the indicated nominal R_{25} range. Larger 8 mm ceramics for lower resistance values or higher voltages are in use in the PTCCZ08 series.

APPLICATIONS

Over-temperature/over-load protection:

- Telecom
 - Central Office Switching (C.O.)
 - Subscriber Terminal Equipment (T.E.)
 - Set-top Box
 - Modems
- General industry and automotive
 - Low power overload protection
 - Inrush current limitation

DESCRIPTION

The component consists of a high performance PTC ceramic mounted in a lead frame with lead (Pb)-free tin plated contacts. The terminations are joined to the Ag plated ceramic by a high melting solder. The ceramic is covered with a protective high temperature silicone layer.

MARKING

- All SMD PTCs are marked with a 3-digit type number (XXX) and a date code (YYWW)

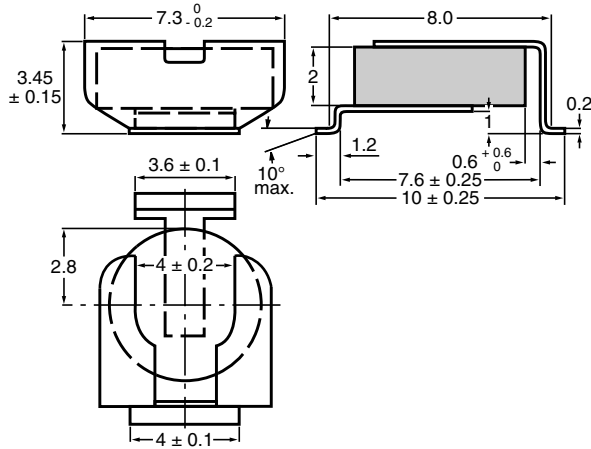
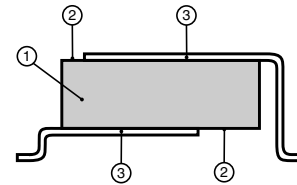
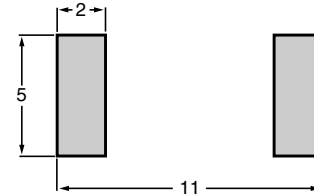
ELECTRICAL DATA AND ORDERING INFORMATION													
RESISTANCE		MATCHING (Ω)	V_{max} (V)	I_{ht} at		I_t at 25 °C (mA)	MAX. TRIP-TIME at 1 A (s)	MAX. I_{ol} at V_{max} (A)	T_{sw}	OPERATING TEMP. RANGE AT MAX. VOLTAGE	STORAGE TEMP. RANGE	CATALOG NUMBER	
R_{25} (Ω)	TOL. (%)			25 °C (mA)	70 °C (mA)							SAP ORDERING CODE	TYPE NR MARKING
TELECOM AND INDUSTRIAL TYPES													
10	20	-	245	165	100	270	3.0	2.0	105	0 to 70	-25 to 125	PTCTZ3NR100GTT ⁽²⁾	012
10	20	0.5	245	165	100	270	3.0	2.0	105	0 to 70	-25 to 125	PTCTZ3MR100GTT ⁽²⁾	016
40	25	no	265	80	50	130	0.8	2.0	105	0 to 70	-25 to 125	PTCTZ3NR400HTT	002
25	20	1	265	120	70	220	1.3	2.0	110	0 to 70	-25 to 125	PTCTZ3MR250HTT ⁽²⁾	005
15 to 20	-	-	300	150	100	250	1.5	1.5	115	0 to 70	-25 to 125	PTCTZ3NR150KTT ⁽²⁾	004
15 to 20	-	0.5	300	150	100	250	1.5	2.0	115	0 to 70	-25 to 125	PTCTZ3MR150KTT ⁽²⁾	003
20	20	0.5	300	120	70	250	1.4	1.5	105	0 to 70	-25 to 125	PTCTZ3MR200KTT ⁽²⁾	018
35	+15 / -20	1	425	110	70	175	1.0	0.7	125	-25 to 85	-40 to 155	PTCTZ3MR350MTT ⁽²⁾	009
50	20	1	425	90	60	150	0.8	0.7	125	-40 to 70	-40 to 125	PTCTZ3MR500MTT	019
GENERAL INDUSTRIAL TYPES													
3.3	25	-	24	400	-	650	6.0	8.0	140	-40 to 85	-40 to 155	PTCTZ3NR339CTT	013
9.4	25	-	60	150	100	300	1.8	3.0	115	-40 to 85	-40 to 155	PTCTZ3NR949ETT	011

Note

⁽²⁾ These types pass ITU-K20-21-45 telecommunication protection recommendation

PTC OUTLINES

PTC SMD ceramic size: 6.5 mm


DIMENSIONS in millimeters

DIMENSIONS OF SOLDER LANDS in millimeters


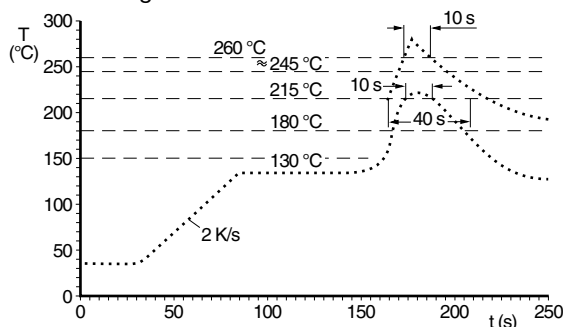
PACKAGING					
TYPE	QUANTITY	CARRIER TAPE	WIDTH	PITCH	REEL DIAMETER
PTCTZ	1500	PS conductive blister tape acc. IEC60286-3	16 mm	12 mm	330 mm

MATERIAL INFORMATION		
REF.	DESCRIPTION	MATERIAL AND REMARKS
1	Ceramic	BaTiO ₃ doped
2	Metalization	NiCr Ag layer (vacuum deposition)
3	Lead frame	Ni plated phosphor bronze material covered by matte tin layer

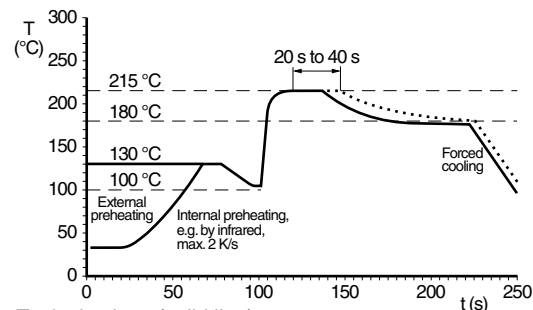
SOLDERING CONDITIONS

This SMD thermistor is only suitable for reflow soldering, in accordance with JEDEC J-STD-020D. Soldering processes which can be used are reflow (infrared and convection heating) and vapor phase. The maximum temperature of 260 °C during 10 s should not be exceeded and no liquid flux should be allowed to reach the ceramic body.

Typical examples of a soldering processes that will provide reliable joints without damage, are shown below.

Reflow soldering


Typical values (solid line)
Process limits (dotted lines)

Vapor phase soldering


Typical values (solid line)
Process limits (dotted lines)

MOUNTING CONDITIONS

A flat pick-up area of minimum 10 mm² and low weight allows for fast placement.

Because of the nature of PTC ceramic material the component should not be touched with bare hands, as the residue of perspiration can influence component behavior at high temperatures.

Handling forces applied to the component should be limited to 5 N in any condition.



Disclaimer

ALL PRODUCT, PRODUCT SPECIFICATIONS AND DATA ARE SUBJECT TO CHANGE WITHOUT NOTICE TO IMPROVE RELIABILITY, FUNCTION OR DESIGN OR OTHERWISE.

Vishay Intertechnology, Inc., its affiliates, agents, and employees, and all persons acting on its or their behalf (collectively, "Vishay"), disclaim any and all liability for any errors, inaccuracies or incompleteness contained in any datasheet or in any other disclosure relating to any product.

Vishay makes no warranty, representation or guarantee regarding the suitability of the products for any particular purpose or the continuing production of any product. To the maximum extent permitted by applicable law, Vishay disclaims (i) any and all liability arising out of the application or use of any product, (ii) any and all liability, including without limitation special, consequential or incidental damages, and (iii) any and all implied warranties, including warranties of fitness for particular purpose, non-infringement and merchantability.

Statements regarding the suitability of products for certain types of applications are based on Vishay's knowledge of typical requirements that are often placed on Vishay products in generic applications. Such statements are not binding statements about the suitability of products for a particular application. It is the customer's responsibility to validate that a particular product with the properties described in the product specification is suitable for use in a particular application. Parameters provided in datasheets and / or specifications may vary in different applications and performance may vary over time. All operating parameters, including typical parameters, must be validated for each customer application by the customer's technical experts. Product specifications do not expand or otherwise modify Vishay's terms and conditions of purchase, including but not limited to the warranty expressed therein.

Except as expressly indicated in writing, Vishay products are not designed for use in medical, life-saving, or life-sustaining applications or for any other application in which the failure of the Vishay product could result in personal injury or death. Customers using or selling Vishay products not expressly indicated for use in such applications do so at their own risk. Please contact authorized Vishay personnel to obtain written terms and conditions regarding products designed for such applications.

No license, express or implied, by estoppel or otherwise, to any intellectual property rights is granted by this document or by any conduct of Vishay. Product names and markings noted herein may be trademarks of their respective owners.

Mouser Electronics

Authorized Distributor

Click to View Pricing, Inventory, Delivery & Lifecycle Information:

[Vishay:](#)

[PTCTZ3MR200KTX](#) [PTCTZ3MR100GTX](#) [PTCTZ3NR100GTX](#) [PTCTZ3NR339CTX](#) [PTCTZ3MR500MTX](#)
[PTCTZ3NR949ETX](#) [PTCTZ3NR400HTX](#) [PTCTZ3NR150KTX](#) [PTCTZ3MR250HTX](#) [PTCTZ3MR350MTX](#)
[PTCTZ3MR150KTX](#) [PTCZL09H161SBC052](#) [PTCTZ3MR100GTE](#) [PTCTZ3MR150KTE](#) [PTCTZ3MR200KTE](#)
[PTCTZ3MR250HTE](#) [PTCTZ3MR350MTE](#) [PTCTZ3MR500STE](#) [PTCTZ3NR100GTE](#) [PTCTZ3NR150KTE](#)
[PTCTZ3NR400HTE](#) [PTCTZ3NR949ETE](#) [PTCTZ3NR100GTT](#) [PTCTZ3NR339CTT](#) [PTCTZ3MR200KTT](#)
[PTCTZ3NR400HTT](#) [PTCTZ3MR100GTT](#) [PTCTZ3MR500STT](#) [PTCTZ3MR350MTT](#) [PTCTZ3NR949ETT](#)
[PTCTZ3NR150KTT](#) [PTCTZ3MR250HTT](#) [PTCTZ3MR150KTT](#) [PTCTZ3MR500MTT](#)