

## Octal Analog Switch Array

### FEATURES

- Low On-Resistance: 55  $\Omega$
- Rail-to-Rail Analog Input Range
- Serial Interface
- Low-Power— $P_D$ : 35 nW
- TTL and CMOS Compatible
- Any Combination of 8 SPST to the Output
- High Speed— $t_{ON}$ : 170 ns

### BENEFITS

- Low Signal Distortion
- Devices Can Be Chained for System Expansion
- Reduced Board Space
- Reduced Switch Errors
- Reduced Power Supply Requirements
- Simple Interfacing

### APPLICATIONS

- Audio Switching and Routing
- Audio Teleconferencing
- Data Acquisition and Industrial Process Control
- Battery Powered Remote Systems
- Automotive, Avionics and ATE Systems
- Summing Amplifiers

### DESCRIPTION

The DG485 is an analog switch array consisting of eight SPST switches connected to a common output. This device may be used as an 8-channel multiplexer in serial control applications. Any, all or none of the eight switches may be closed at any given time. Combining low on-resistance ( $r_{DS(on)}$  55  $\Omega$ , typ.) and fast switching ( $t_{ON}$ : 170 ns, typ.), the DG485 is ideally suited for data acquisition, process control, communication, and avionic applications.

Control data is input serially into the shift register with each clock pulse. The shift register contents can be latched-in (via LD) at any point into an octal latch which in turn controls all switches.  $\overline{RS}$  resets the shift register, forcing all latch inputs to a low condition (all switches off). The serial input ( $D_{IN}$ ) and

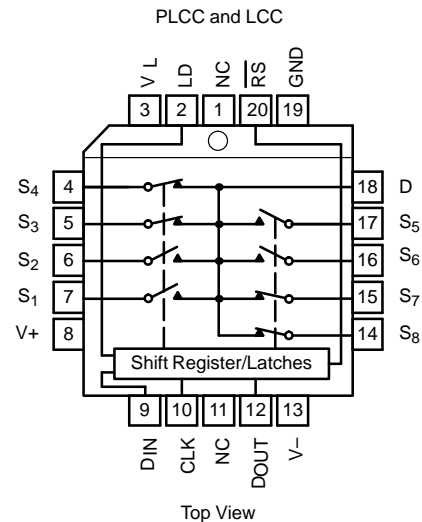
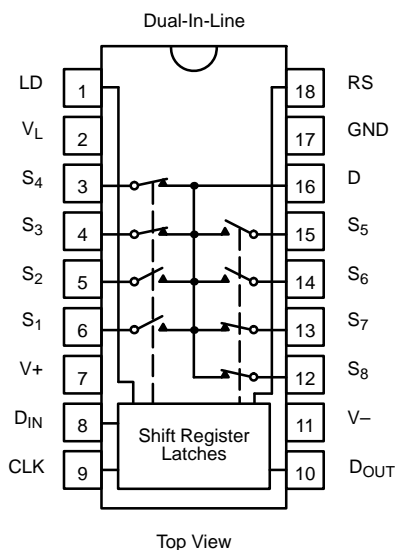
serial output ( $D_{OUT}$ ) allow daisy chaining of multiple arrays for large systems.

Built on the Vishay Siliconix high voltage silicon gate process the DG485 has a wide 44-V power supply voltage rating. An epitaxial layer prevents latchup.

Each channel conducts equally well in either direction when on and blocks up to rail-to-rail voltages when off.

For additional information please refer to application note AN204.

### FUNCTIONAL BLOCK DIAGRAM AND PIN CONFIGURATION





**TRUTH TABLES AND ORDERING INFORMATION**

TRUTH TABLE—DUAL-IN-LINE PACKAGE				
$\overline{RS}$	CLK*	$D_{IN}$	$D_1$	$D_n$
1		0	0	$D_{n-1}$
1		1	1	$D_{n-1}$
1		X	$D_1$	$D_n$ (No Change)
0	X	X	0	0

\*CLK Input Edge Triggered

TRUTH TABLE—PLCC & LCC PACKAGES			
LD*	$D_n$	$L_n$	$SW_n$
	0	0	OFF
	1	1	ON
	$D_n$	$L_n$	(No Change)

\*LD Input Level Triggered

ORDERING INFORMATION		
Temp Range	Package	Part Number
-40 to 85°C	18-Pin Plastic DIP	DG485DJ
	20-Pin PLCC	DG485DN
-55 to 125°C	LCC-20	DG485AZ/883

**ABSOLUTE MAXIMUM RATINGS**

Voltages Referenced to  $V_-$

$V_+$ .....	44 V
GND .....	25 V
Digital Inputs <sup>a</sup> $V_S, V_D$ .....	( $V_-$ ) -2 V to ( $V_+$ ) + 2 V or 30 mA, whichever occurs first
Continuous Current (Any Terminal) .....	30 mA
Current, S or D (Pulsed 1 ms, 10% duty cycle) .....	100 mA
Storage Temperature (AZ Suffix) .....	-65 to 150°C
(DJ, DN Suffix) .....	-65 to 125°C

Power Dissipation (Package)<sup>b</sup>

18-Pin Plastic DIP <sup>c</sup> .....	470 mW
20-Pin PLCC, LCC <sup>d</sup> .....	800 mW

Notes:

- a. Signals on  $S_X, D_X$  or  $IN_X$  exceeding  $V_+$  or  $V_-$  will be clamped by internal diodes. Limit forward diode current to maximum current ratings.
- b. All leads soldered or welded to PC board.
- c. Derate 6 mW/°C above 75°C.
- d. Derate 10 mW/°C above 75°C.



SPECIFICATIONS <sup>a</sup>									
Parameter	Symbol	Test Conditions Unless Otherwise Specified $V_+ = 15\text{ V}, V_- = -15\text{ V}$ $V_L = 5\text{ V}, V_{IN} = 2.4\text{ V}, 0.8\text{ V}^f$	Temp <sup>b</sup>	Typ <sup>c</sup>	A Suffix -55 to 125°C		D Suffix -40 to 85°C		Unit
					Min <sup>d</sup>	Max <sup>d</sup>	Min <sup>d</sup>	Max <sup>d</sup>	
<b>Analog Switch</b>									
Analog Signal Range <sup>e</sup>	$V_{ANALOG}$		Full		-15	15	-15	15	V
Drain-Source On-Resistance	$r_{DS(on)}$	$V_+ = 13.5\text{ V}, V_- = -13.5\text{ V}$ $I_S = -5\text{ mA}, V_D = \pm 10\text{ V}$	Room Full	55		85 125		85 125	$\Omega$
Delta Drain-Source On-Resistance <sup>g</sup>	$\Delta r_{DS(on)}$		Room	6					%
Switch Off Leakage Current	$I_{S(off)}$	$V_+ = 16.5\text{ V}, V_- = -16.5\text{ V}$ $V_D = \mp 15.5\text{ V}, V_S = \pm 15.5\text{ V}$	Room Full	0.01	-1 -20	1 20	-1 -10	1 10	nA
	$I_{D(off)}$		Room Full	0.1	-10 -200	10 200	-10 -50	10 50	
Channel On Leakage Current	$I_{D(on)}$	$V_{\pm} = \pm 16.5\text{ V}, V_S = V_D = \pm 15.5\text{ V}$ One Switch At A Time	Room Full	0.11	-20 -500	20 500	-20 -50	20 50	nA
		$V_{\pm} = \pm 16.5\text{ V}, V_S = V_D = \pm 15.5\text{ V}$ All Switches On	Room	0.2					
<b>Input</b>									
Input Current with $V_{IN}$ Low	$I_{IL}$	$V_{IN}$ Under Test = 0.8 V All Other = 2.4 V	Room Full	-0.0001	-1 -5	1 5	-1 -5	1 5	$\mu\text{A}$
Input Current with $V_{IN}$ High	$I_{IH}$	$V_{IN}$ Under Test = 2.4 V All Other = 0.8 V	Room Full	0.0001	-1 -5	1 5	-1 -5	1 5	$\mu\text{A}$
<b>Serial Data Output</b>									
Output Voltage with $V_{IN}$ Low - $D_{OUT}$	$V_{OL}$	$I_O = 1.6\text{ mA}, V_+ = 4.5\text{ V}$	Full	0.25		0.4		0.4	V
Output Voltage with $V_{IN}$ High - $D_{OUT}$	$V_{OH}$	$I_O = -80\text{ }\mu\text{A}, V_+ = 16.5\text{ V}$ $V_L = 4.75\text{ V}$	Full	4.4	2.7		2.7		
<b>Dynamic Characteristics</b>									
Turn-On Time	$t_{ON}$	$V_S = \pm 10\text{ V}$ See Figures 1, 8	Room Full	170		200 275		200 275	ns
Turn-Off Time	$t_{OFF}$	$V_S = \pm 10\text{ V}$ See Figures 2, 3, 8	Room Full	150		200 275		200 276	
Data Setup Time	$t_{DS}$	See Figures 4, 8	Room Full		40 60		40 60		
Data Hold Time	$t_{DH}$		Room Full		40 60		40 60		
LOAD Hold Time	$t_{LH}$	See Figures 5, 8	Room Full		100 150		100 150		
RESET Hold Time	$t_{RH}$		Room Full		100 150		100 150		
RESET $\uparrow$ to CLOCK $\uparrow$ Delay	$t_{DRC}$		Room Full		40 60		40 60		
Charge Injection	Q	$V_S = 0\text{ V}, C_L = 1,000\text{ pF}$ Any One Channel	Room	17					pC
Off Isolation <sup>e</sup>	OIRR	$R_L = 50\text{ }\Omega, C_L = 5\text{ pF}, f = 1\text{ MHz}$ See Figure 9	Room	-75					dB
Maximum Clock Frequency	$f_{CLK}$		Room	10					MHz



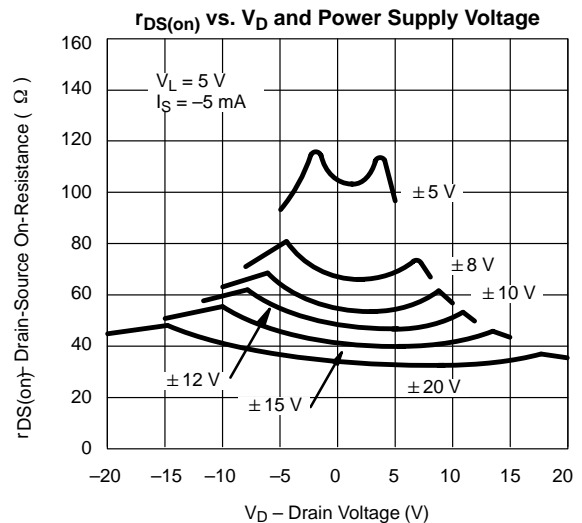
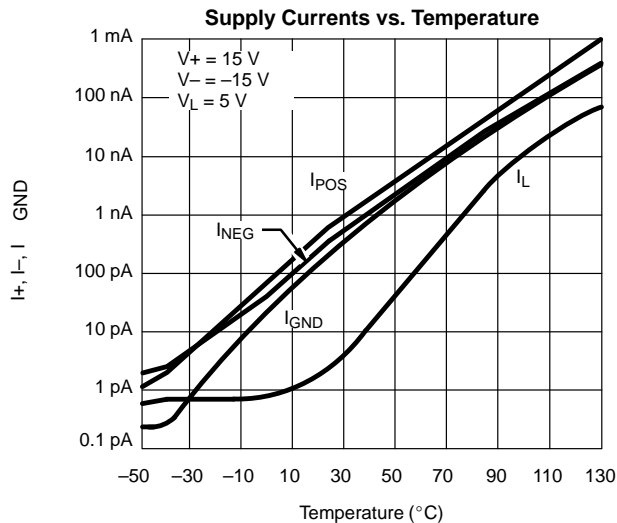
SPECIFICATIONS <sup>a</sup>									
Parameter	Symbol	Test Conditions Unless Otherwise Specified $V_+ = 15\text{ V}, V_- = -15\text{ V}$ $V_L = 5\text{ V}, V_{IN} = 2.4\text{ V}, 0.8\text{ V}^f$	Temp <sup>b</sup>	Typ <sup>c</sup>	A Suffix -55 to 125°C		D Suffix -40 to 85°C		Unit
					Min <sup>d</sup>	Max <sup>d</sup>	Min <sup>d</sup>	Max <sup>d</sup>	
<b>Dynamic Characteristics (Cont'd)</b>									
Source Off Capacitance <sup>e</sup>	$C_{S(off)}$	$V_{gen} = 0\text{ V}, R_{gen} = 0\ \Omega, f = 1\text{ MHz}$	Room	7					pF
Drain Off Capacitance <sup>e</sup>	$C_{D(off)}$		Room	43					
On-State Capacitance <sup>e</sup>	$C_{D(on)}$	$V_{gen} = 0\text{ V}, R_{gen} = 0\ \Omega, f = 1\text{ MHz}$ One Channel On	Room	53					
		$V_{gen} = 0\text{ V}, R_{gen} = 0\ \Omega, f = 1\text{ MHz}$ All Channels On	Room	122					
<b>Power Supplies</b>									
Positive Supply Current	$I_+$	$V_+ = 16.5\text{ V}, V_- = -16.5\text{ V}$ $V_{IN} = 0\text{ or }5\text{ V}, V_L = 5.25\text{ V}$ $D_{OUT}$ Open	Room Full	0.001		3 10		3 10	$\mu\text{A}$
Negative Supply Current	$I_-$		Room Full	-0.001	-3 -10		-3 -10		
Logic Supply Current	$I_L$		Room Full	0.001		3 10		3 10	
Ground Current	$I_{GND}$		Room Full	-0.001	-3 -10		-3 -10		

Notes:

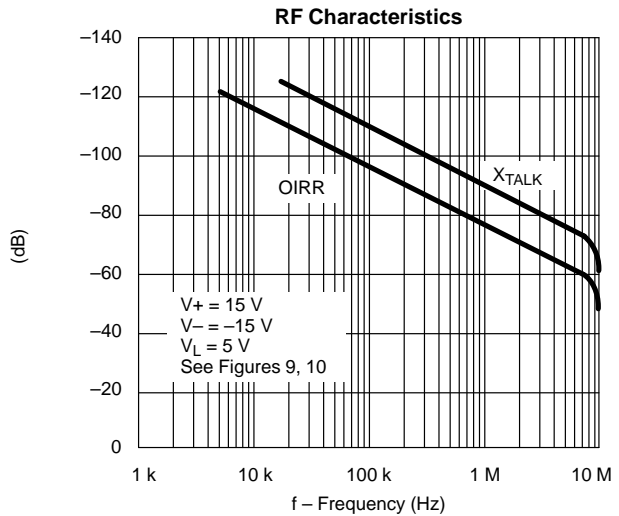
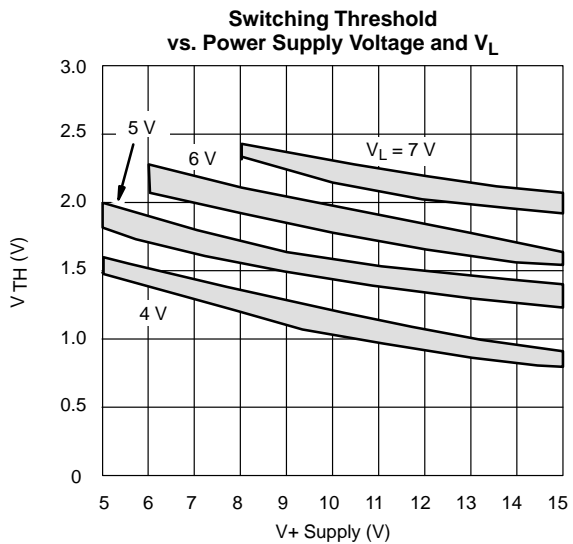
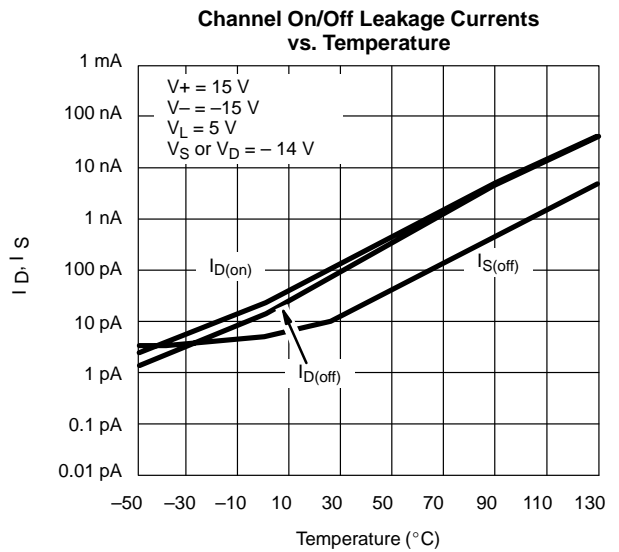
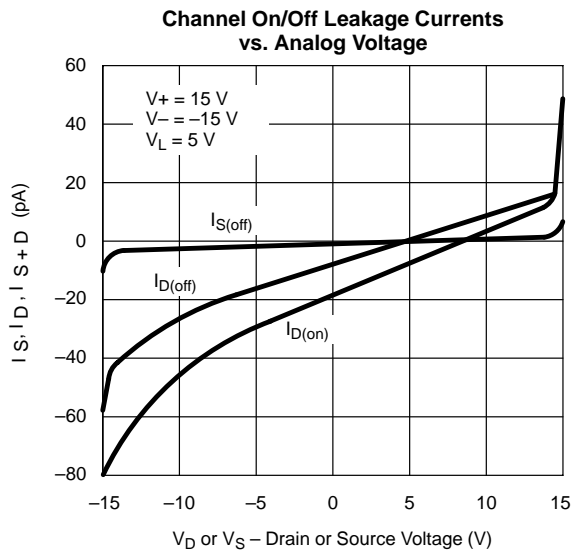
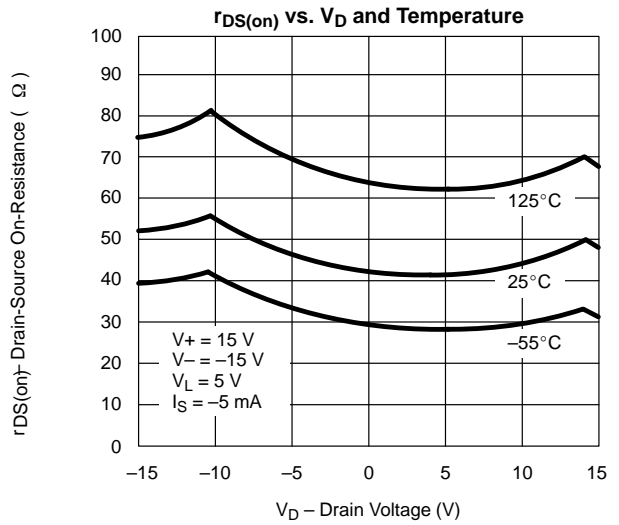
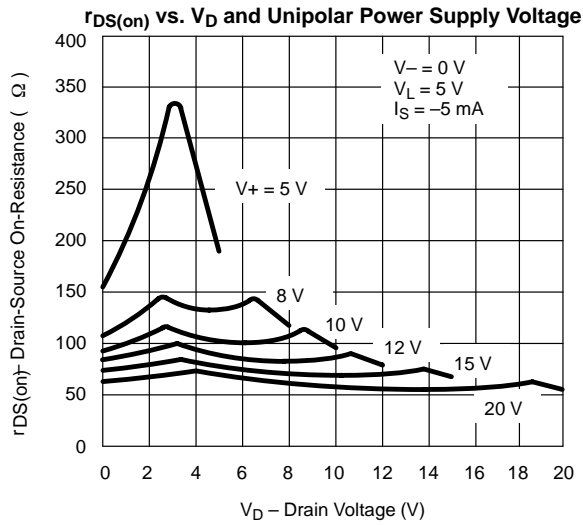
- a. Refer to PROCESS OPTION FLOWCHART.
- b. Room = 25°C, Full = as determined by the operating temperature suffix.
- c. Typical values are for DESIGN AID ONLY, not guaranteed nor subject to production testing.
- d. The algebraic convention whereby the most negative value is a minimum and the most positive a maximum, is used in this data sheet.
- e. Guaranteed by design, not subject to production test.
- f.  $V_{IN}$  = input voltage to perform proper function.

g. For each  $V_D$ :  $\Delta r_{DS(on)} = \left( \frac{r_{DS(on)} \text{ MAX} - r_{DS(on)} \text{ MIN}}{r_{DS(on)} \text{ AVE}} \right)$

**TYPICAL CHARACTERISTICS (25°C UNLESS NOTED)**

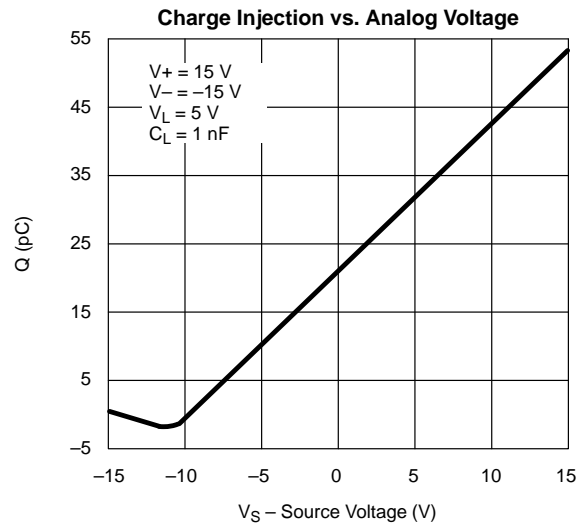
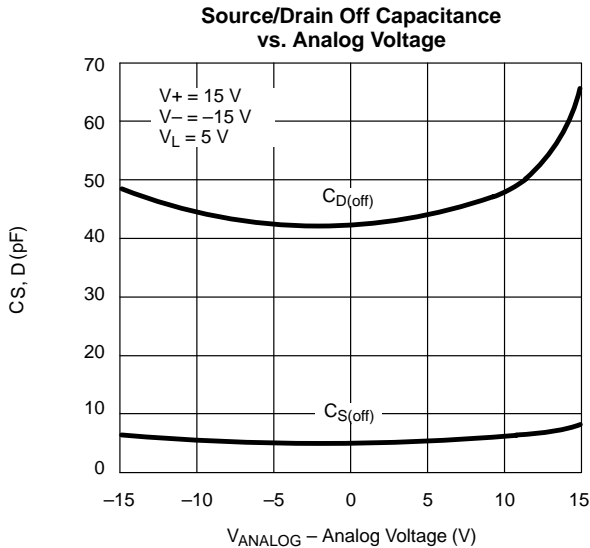
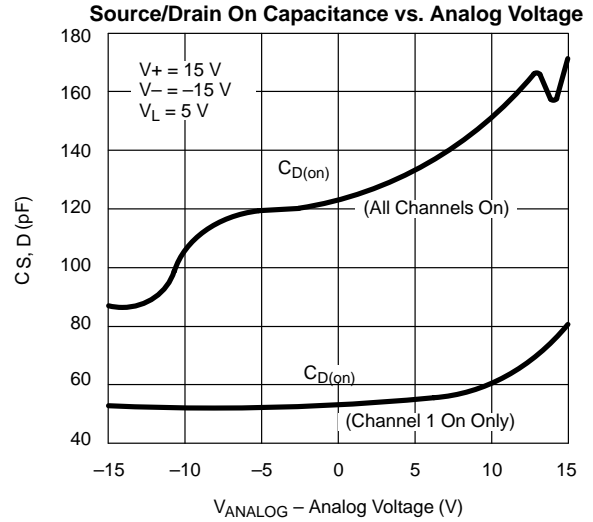
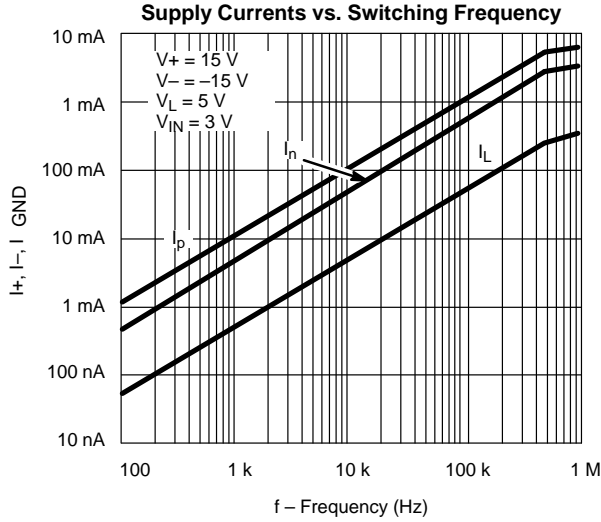


**TYPICAL CHARACTERISTICS (25°C UNLESS NOTED)**





**TYPICAL CHARACTERISTICS (25°C UNLESS NOTED)**



**TIMING DIAGRAMS**

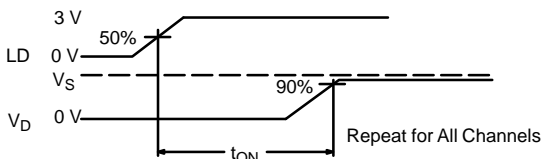


FIGURE 1.  $t_{ON}$  from LD

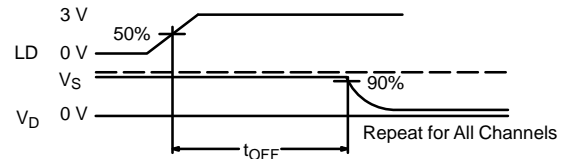
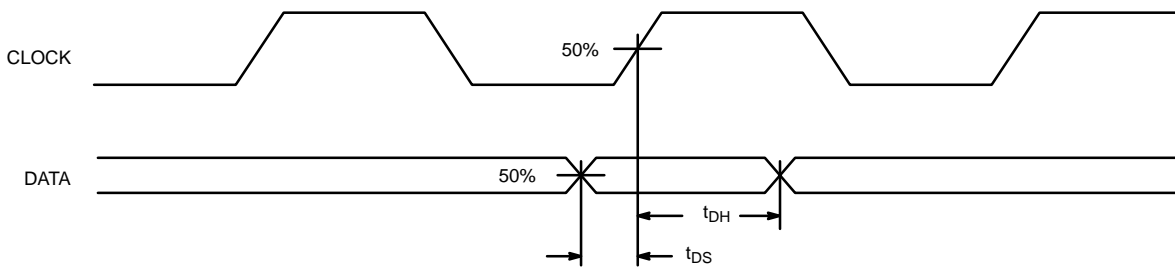


FIGURE 2.  $t_{OFF}$  from LD

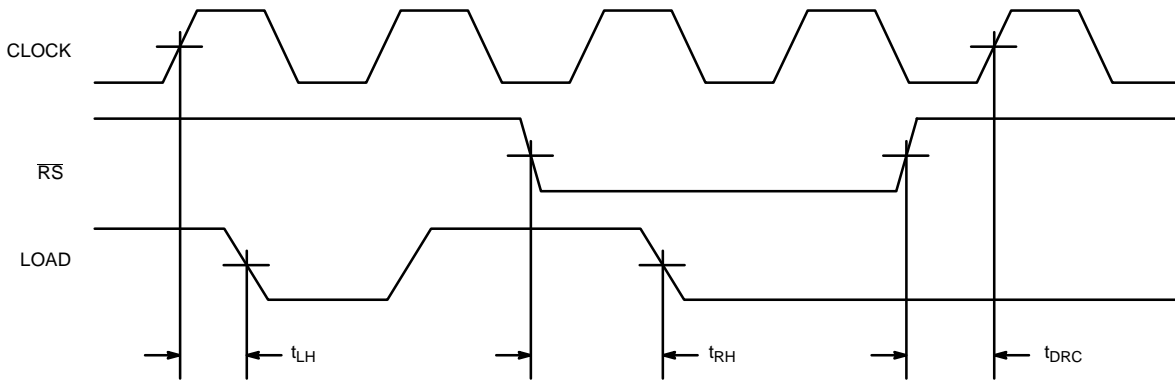


FIGURE 3.  $t_{OFF}$  from  $\overline{RS}$

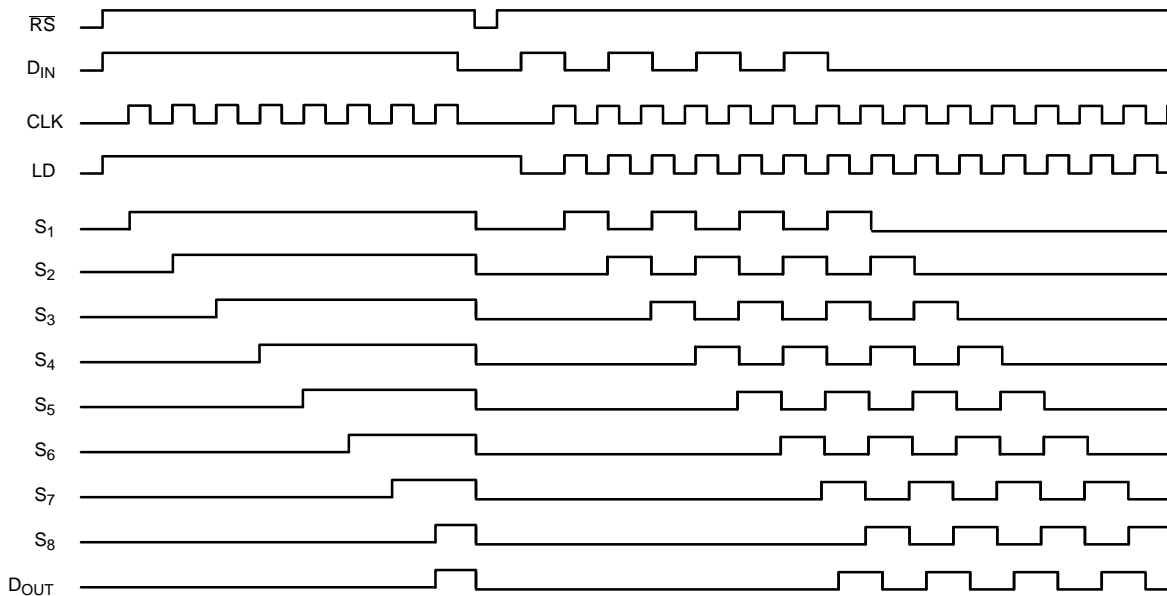
**TIMING DIAGRAMS**



**FIGURE 4.** Data Setup and Hold Time



**FIGURE 5.** Timing Relationships



S<sub>1</sub> – S<sub>8</sub> and D<sub>OUT</sub> are expected output with the drain connected high. The sources require pull-down of 1 kΩ.

**FIGURE 6.**

**SCHEMATIC DIAGRAM (TYPICAL CHANNEL)**

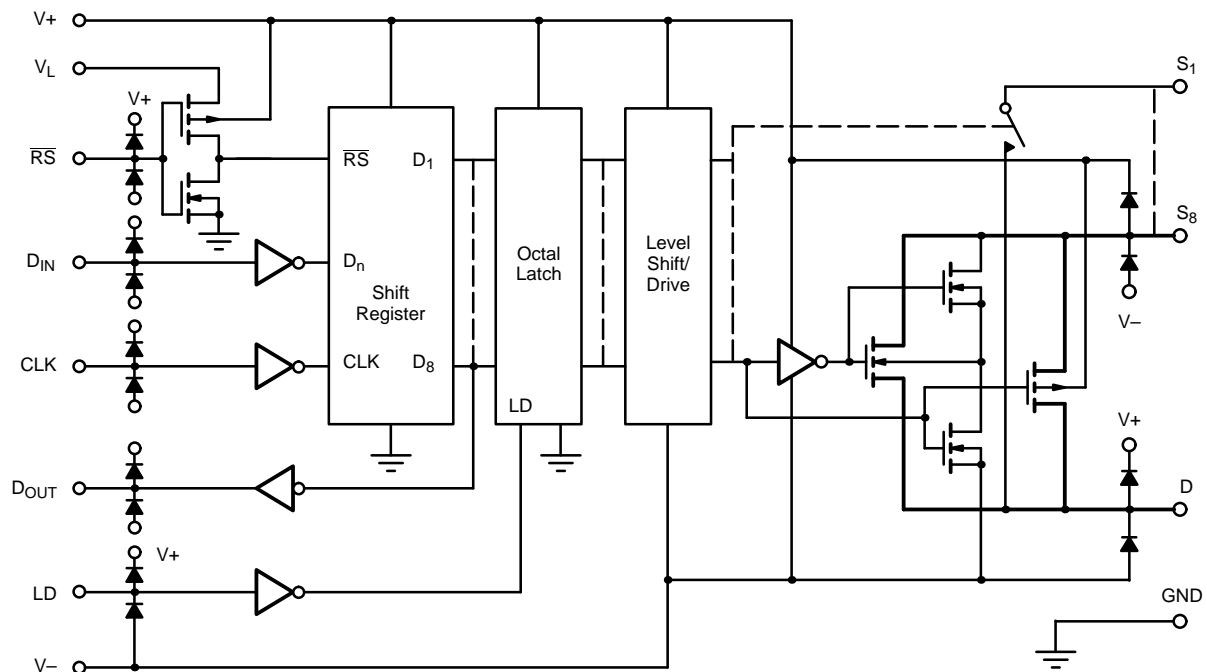
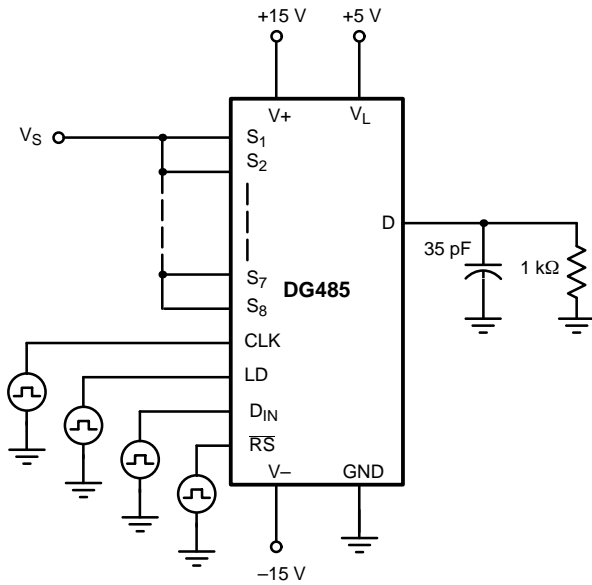
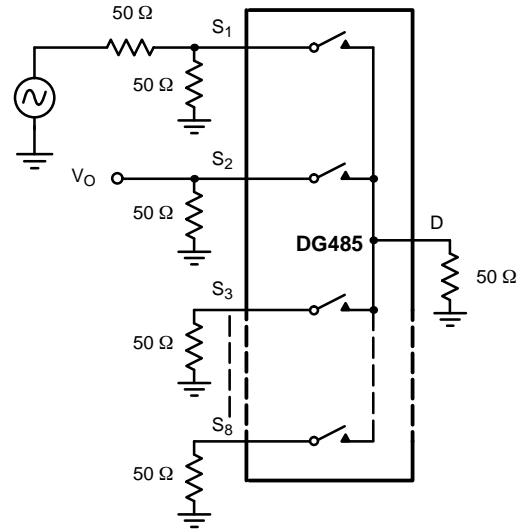
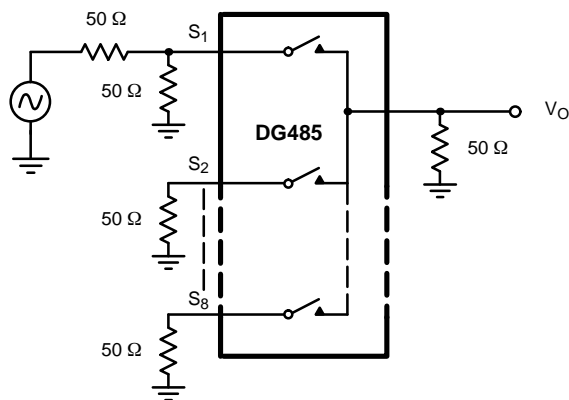


FIGURE 7.



**TEST CIRCUITS**

**FIGURE 8.** Switching Time Test Circuit

**FIGURE 9.** Adjacent Input Crosstalk

**TEST CIRCUITS**

**FIGURE 10.** Off Isolation



**APPLICATIONS**

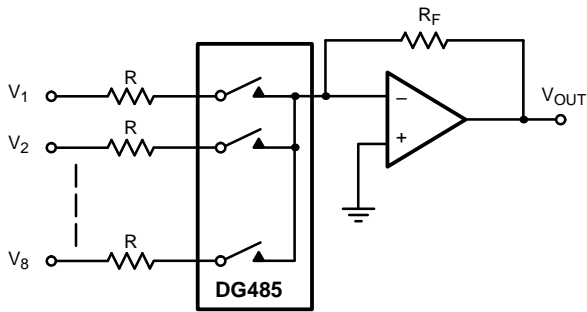


FIGURE 14. Summing Node Mixer

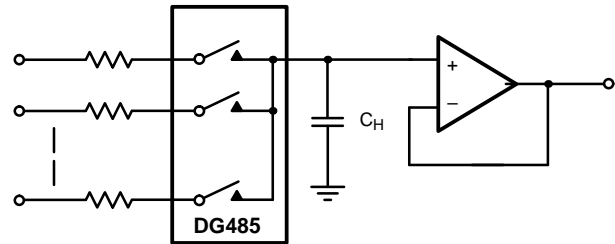


FIGURE 15. Multiplexing, Sampling Application

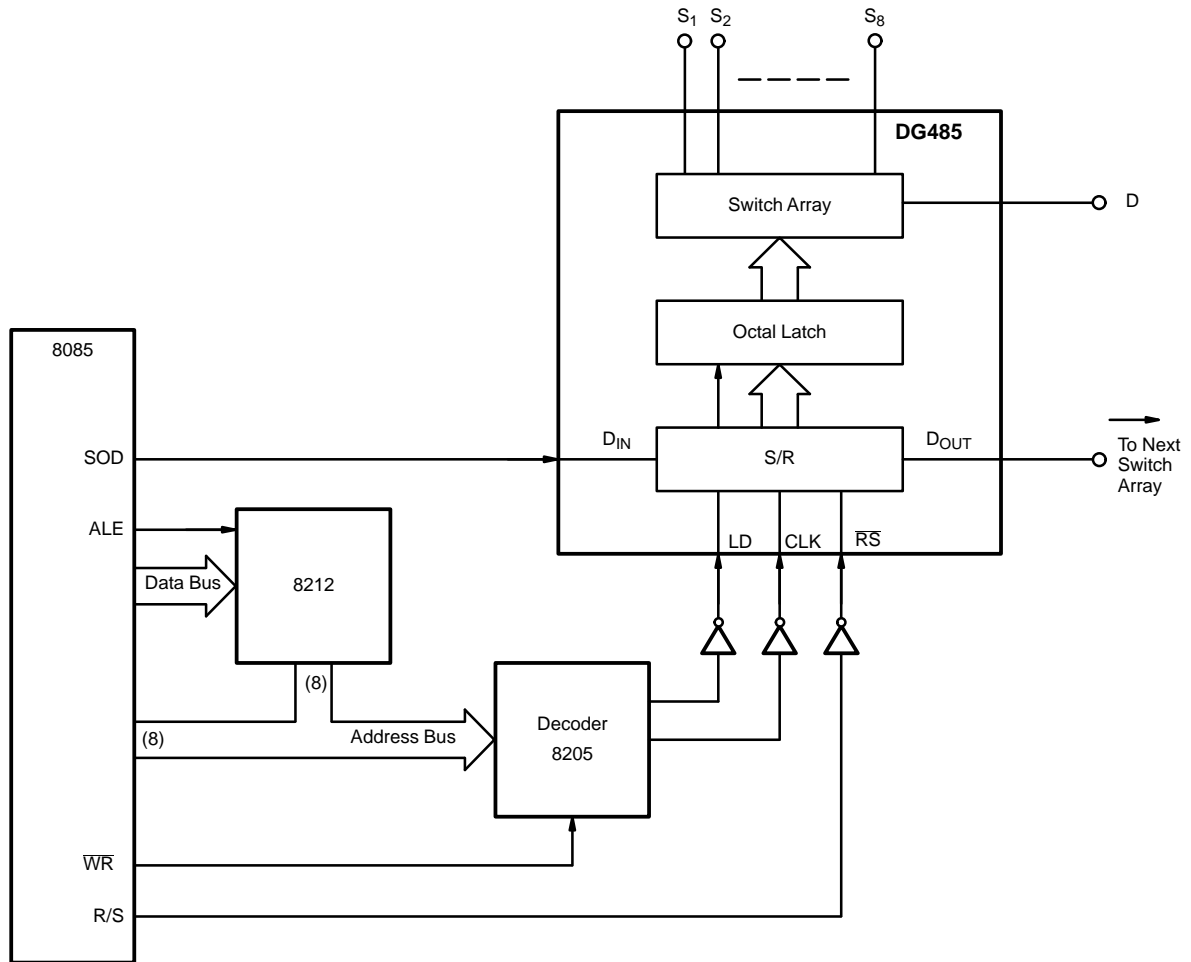


FIGURE 16. Direct Serial Interface (8085)



## Disclaimer

All product specifications and data are subject to change without notice.

Vishay Intertechnology, Inc., its affiliates, agents, and employees, and all persons acting on its or their behalf (collectively, "Vishay"), disclaim any and all liability for any errors, inaccuracies or incompleteness contained herein or in any other disclosure relating to any product.

Vishay disclaims any and all liability arising out of the use or application of any product described herein or of any information provided herein to the maximum extent permitted by law. The product specifications do not expand or otherwise modify Vishay's terms and conditions of purchase, including but not limited to the warranty expressed therein, which apply to these products.

No license, express or implied, by estoppel or otherwise, to any intellectual property rights is granted by this document or by any conduct of Vishay.

The products shown herein are not designed for use in medical, life-saving, or life-sustaining applications unless otherwise expressly indicated. Customers using or selling Vishay products not expressly indicated for use in such applications do so entirely at their own risk and agree to fully indemnify Vishay for any damages arising or resulting from such use or sale. Please contact authorized Vishay personnel to obtain written terms and conditions regarding products designed for such applications.

Product names and markings noted herein may be trademarks of their respective owners.

# Mouser Electronics

Authorized Distributor

Click to View Pricing, Inventory, Delivery & Lifecycle Information:

[Vishay:](#)

[DG485DN](#) [DG485DJ](#) [DG485AZ/883](#)