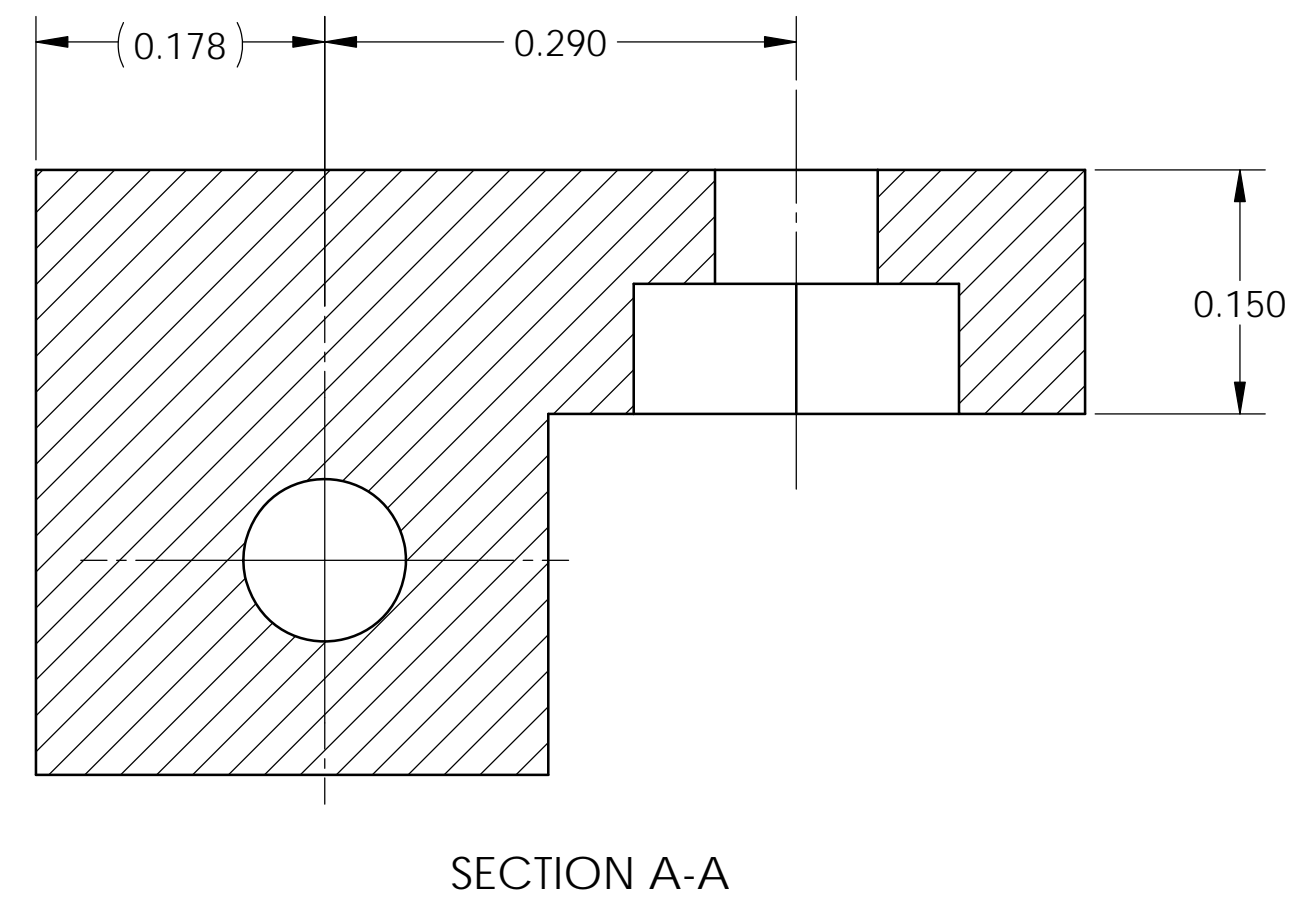
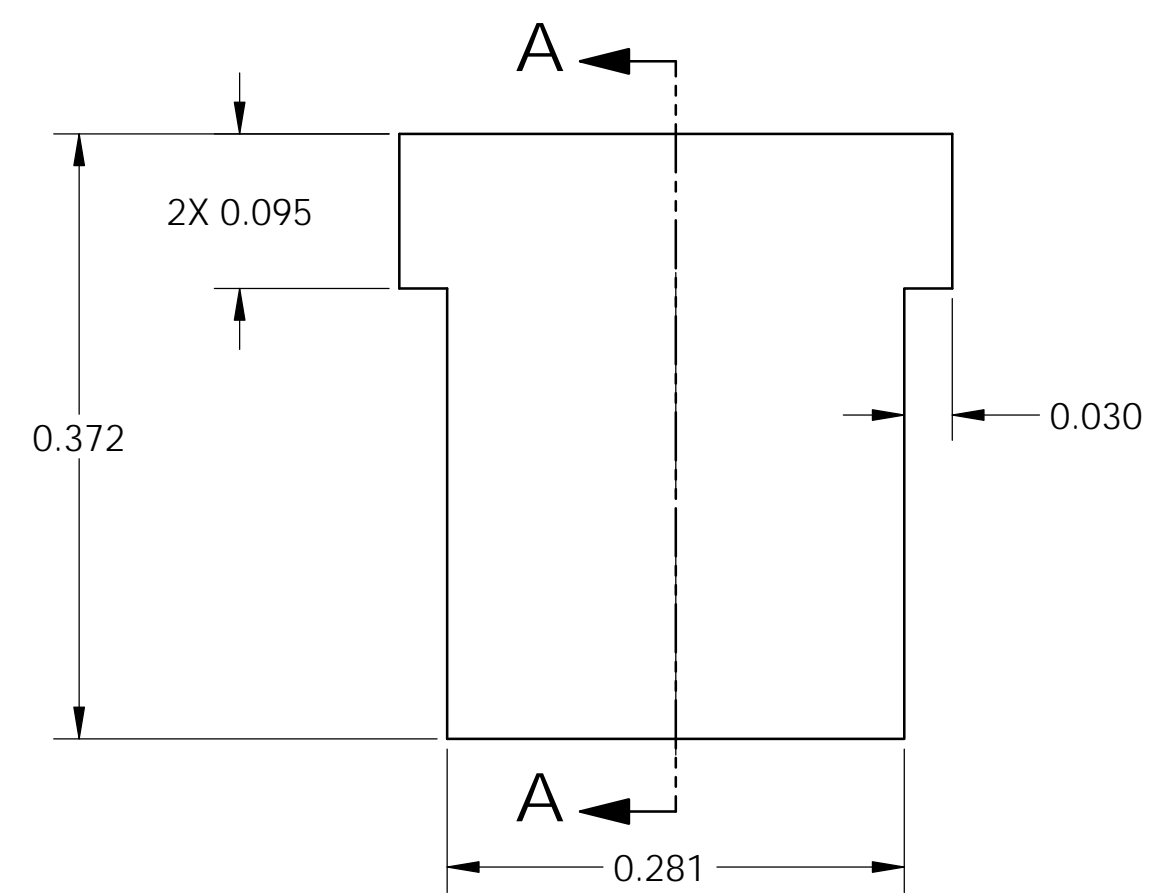
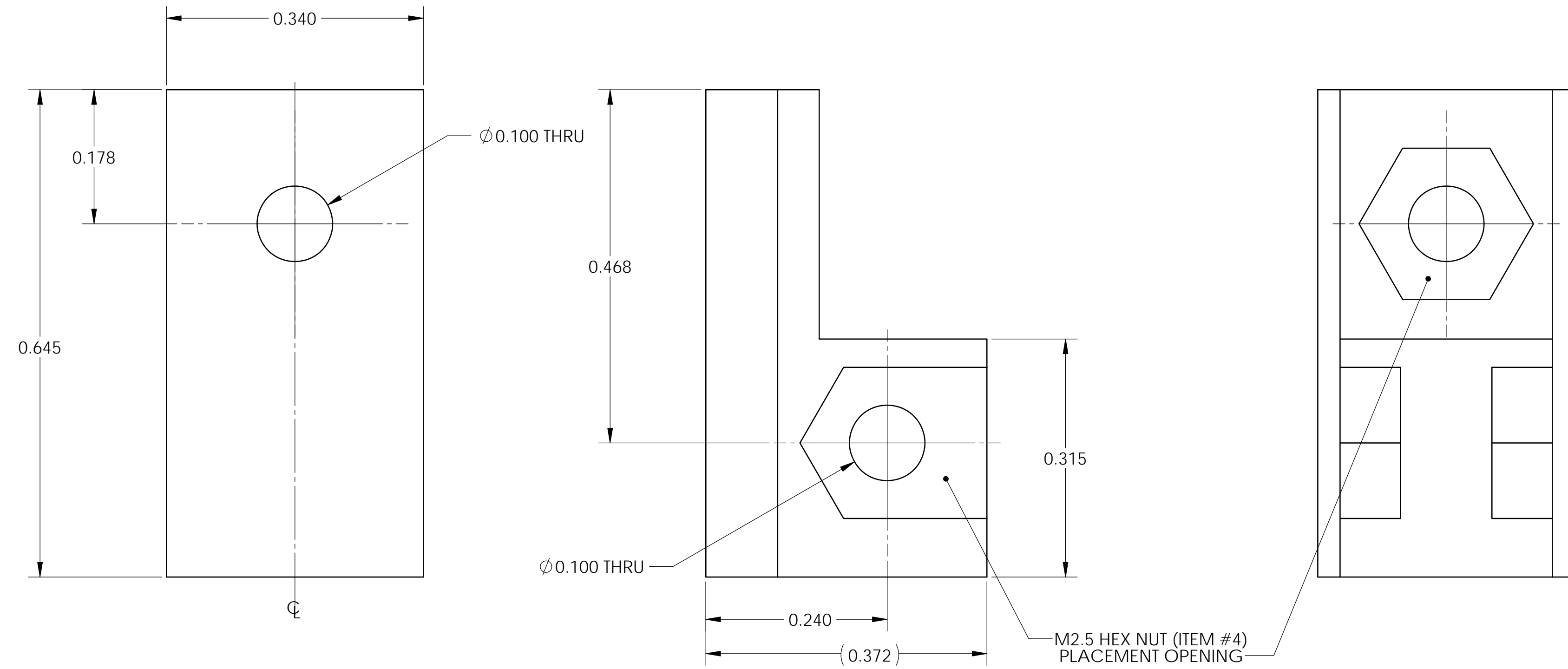


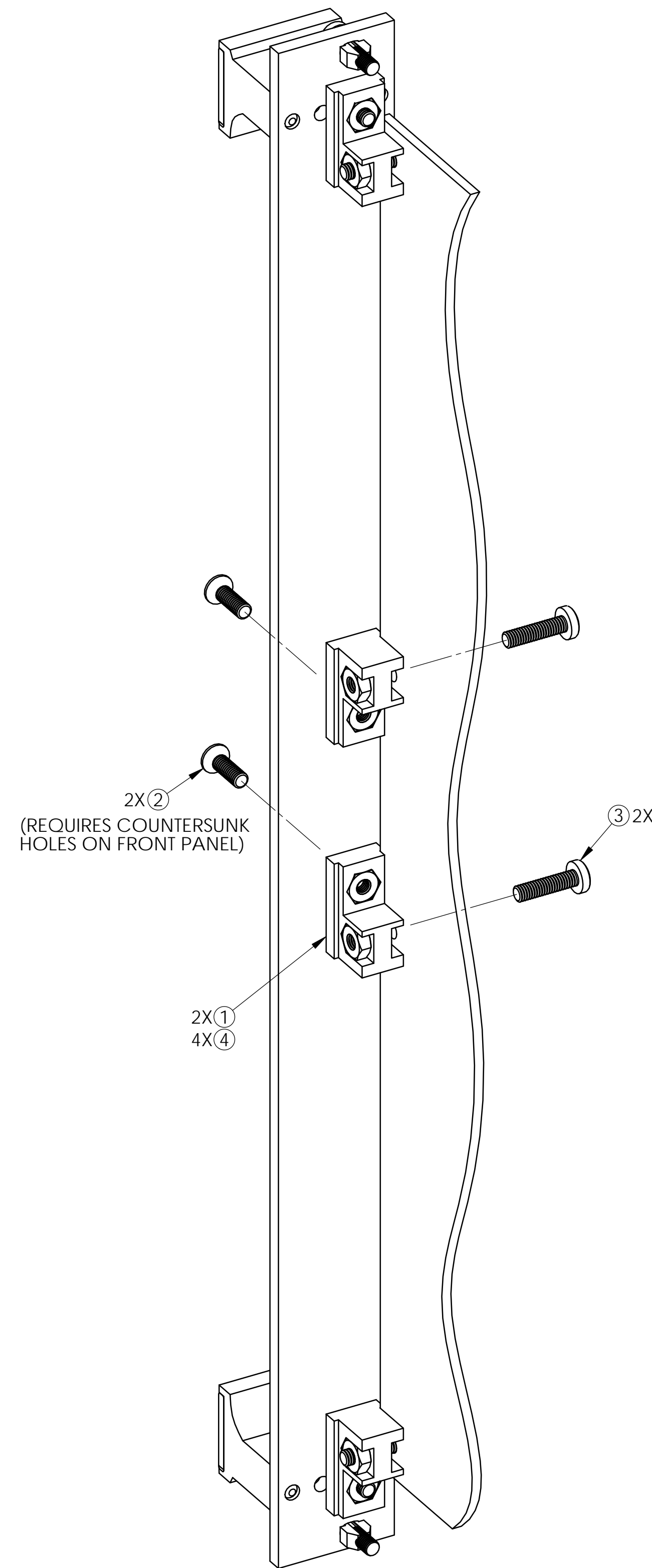
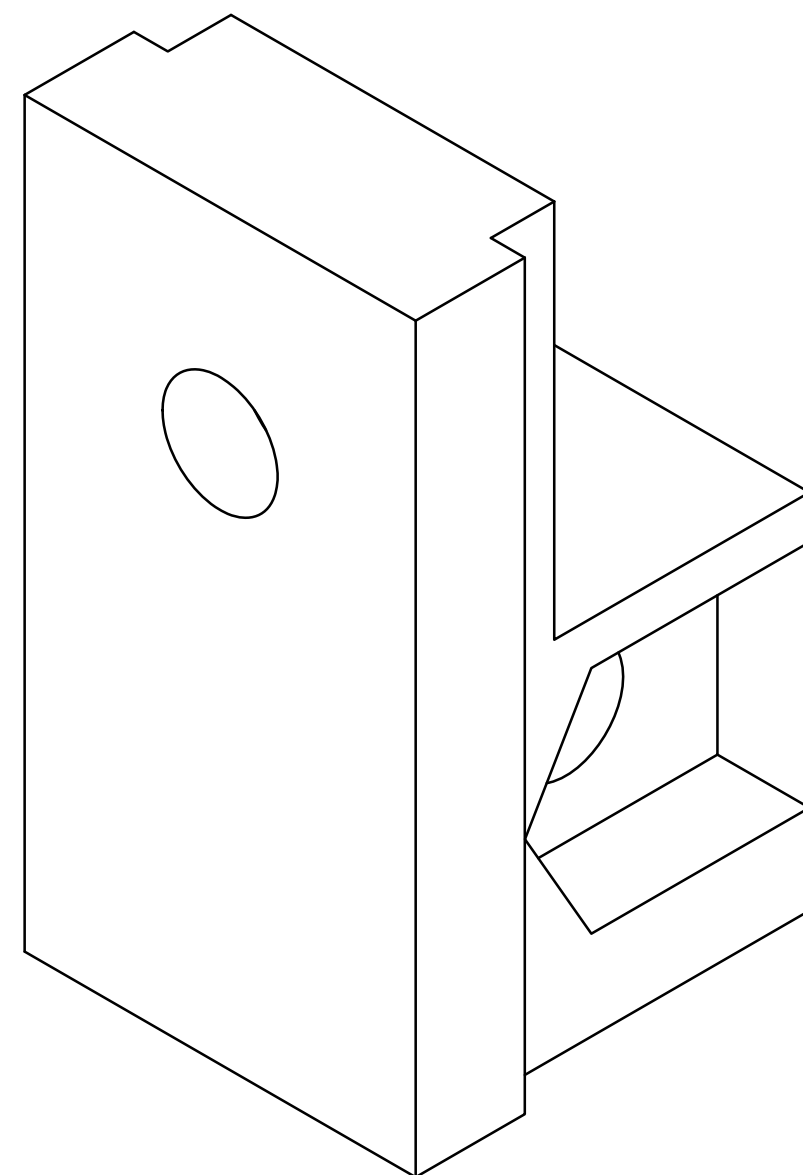
PROPRIETARY AND CONFIDENTIAL
 THE INFORMATION CONTAINED IN THIS DRAWING IS THE SOLE PROPERTY OF
 VECTOR ELECTRONICS & TECHNOLOGY, INC. ANY REPRODUCTION IN PART
 OR AS A WHOLE WITHOUT THE WRITTEN PERMISSION OF VECTOR ELECTRONICS
 & TECHNOLOGY, INC IS PROHIBITED.

REVISIONS				
ZONE	REV	DESCRIPTION	DATE	APPROVED
ALL	A	INITIAL RELEASE	03/14/16	

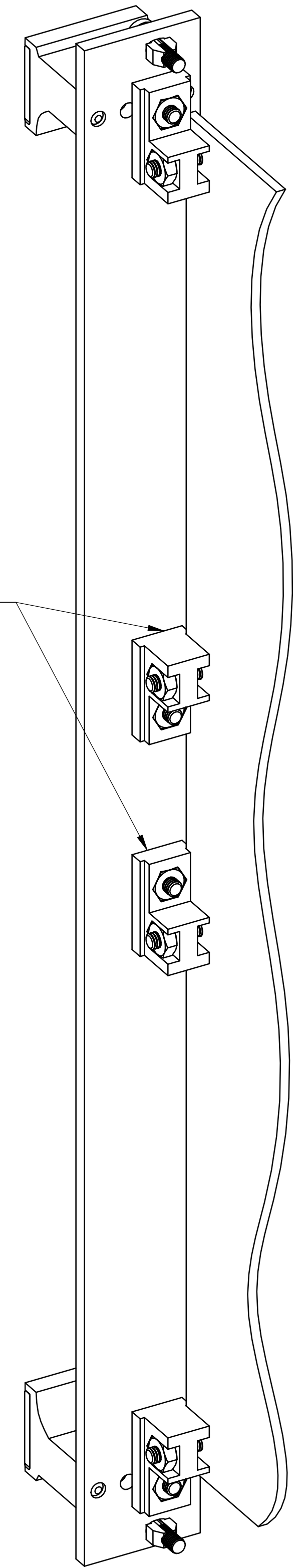


CENTER L-BRACKET DETAIL

①



L-BRACKET KIT EXPLODED VIEW



L-BRACKET KIT ASSEMBLED VIEW

HD102, CM05 AND CM05/100 PARTS LIST

ITEM NO	DESCRIPTION	PART NO	QTY REQ'D FOR P/N			U/M
			HD102	CM05	CM05/100	
1	CENTER L-BRACKET, NYLON, BLACK	94300001	2	2	100	EACH
2	SCREW, FLAT HEAD, M2.5-0.45X8mm	95000003	2	-	-	EACH
3	SCREW, PAN HEAD, M2.5-0.45X10mm	88000106	2	2	100	EACH
4	HEX NUT, M2.5X0.45-6H	95000006	4	4	200	EACH
5	WASHER, SPLIT LOCK, #3	W3-1#	-	2	100	EACH

UNLESS OTHERWISE SPECIFIED: DIMENSIONS ARE IN INCHES TOLERANCES:		NAME	DATE	 <small>TITLE: YANQIEN SHI NORTH HOLLYWOOD, CA 91665 www.vectorlect.com</small>
DEC. X.X	±0.1	DRAWN	TRISHARR	
DEC. X.XXX	±0.03	CHECKED		
DEC. X.XXXX	±0.010	ENG APPR.		
FRACTIONS	±0.050	MFG APPR.		L-BRACKET KIT PLASTIC SIZE DWG. NO. REV D HD102-CM05 A
ANGLES	±1°	Q.A.		
THIRD ANGLE PROJECTION	COMMENTS:			SCALE: 8:1 CAGE CODE: 82893 SHEET 1 OF 1
MATERIAL				
FRESH				

Mouser Electronics

Authorized Distributor

Click to View Pricing, Inventory, Delivery & Lifecycle Information:

[Vector:](#)

[HD102](#)