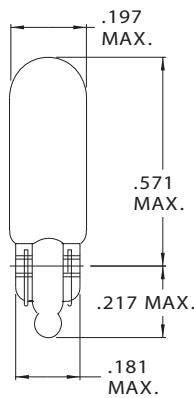
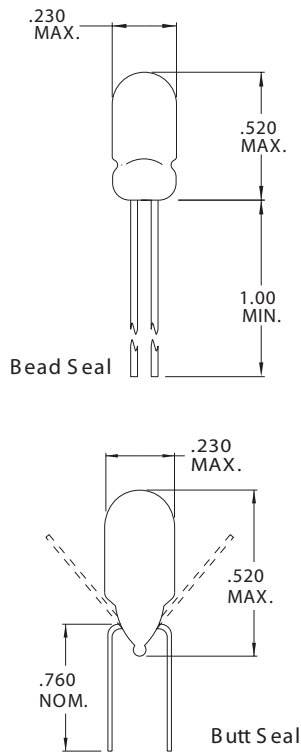


T-1 1/2 Wedge Base



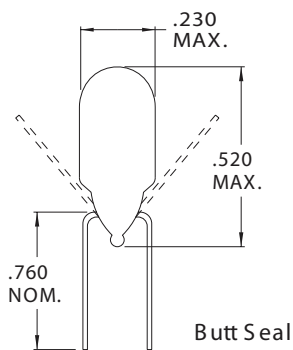
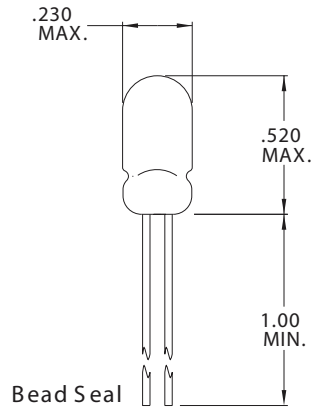
| Part Number | Design Voltage | Amps | MSCP | Life Hours | Filament Type |
|-------------|----------------|------|------|------------|---------------|
| CM6502 | 4.0 | .250 | .200 | 1,000 | C-2V |
| CM1103 | 6.0 | .030 | .024 | 1,000 | C-2R |
| CM1104 | 6.0 | .080 | .070 | 5,000 | C-2V |
| CM3105 | 6.0 | .167 | .300 | 5,000 | C-2R |
| CM6516 | 6.0 | .178 | .720 | 1,000 | C-2R |
| CM6521 | 6.0 | .167 | .480 | 1,000 | C-2R |
| CM6522 | 6.0 | .030 | .040 | 1,000 | C-2V |
| CM6515 | 7.0 | .035 | .040 | 1,000 | C-2V |
| CM1107 | 12.0 | .030 | .080 | 1,000 | C-2V |
| CM1108 | 12.0 | .080 | .240 | 5,000 | C-2R |
| CM286 | 13.5 | .090 | .570 | 200 | C-2V |
| CM1111 | 24.0 | .040 | .240 | 5,000 | C-2F |
| CM3110 | 24.0 | .030 | .100 | 5,000 | C-2F |

T-1 3/4 Wire Terminal



| Part Number | Design Voltage | Amps | MSCP | Life Hours | Filament Type |
|-------------|----------------|------|------|------------|---------------|
| CM2184 | 1.30 | .050 | .020 | 30 | S-2 |
| CM1728 | 1.35 | .060 | .010 | 500 | C-6 |
| CM2119 | 2.00 | .060 | .001 | 5,000 | C-2R |
| CM1783 | 2.50 | .200 | .220 | 500 | C-2R |
| CM2169 | 2.50 | .350 | .200 | 10,000 | C-2R |
| CM2264 | 2.50 | .400 | .280 | 5,000 | C-2R |
| CM1738 | 2.70 | .060 | .040 | 6,000 | C-2R |
| CM2129 | 3.00 | .300 | .340 | 1,500 | C-2R |
| CM2156 | 3.00 | .030 | .020 | 1,800 | C-6 |
| CM2158 | 3.00 | .015 | .004 | 10,000 | C-6 |
| CM8847 | 3.00 | .350 | .300 | 10,000 | C-2R |
| CM2171 | 4.50 | .120 | .040 | 25,000 | C-2F |
| CM2200 | 5.00 | .060 | .050 | 25,000 | C-2R |
| CM2203 | 5.00 | .115 | .150 | 40,000 | C-2R |
| CM3151 | 5.00 | .060 | .150 | 5,000 | C-2R |
| CM3626 | 5.00 | .060 | .050 | 25,000 | C-2R |
| CM3627 | 5.00 | .220 | .600 | 30,000 | C-2R |
| CM3628 | 5.00 | .220 | .600 | 30,000 | C-2R |
| CM3950 | 5.00 | .017 | .018 | 2,000 | C-2R |
| CM8784 | 5.00 | .190 | .450 | 1,000 | C-2R |
| CM8805 | 5.00 | .060 | .030 | 60,000 | C-2R |
| CM1730 | 6.00 | .040 | .030 | 10,000 | C-2V |
| CM1784 | 6.00 | .200 | .600 | 1,000 | C-2R |
| CM2191 | 6.00 | .036 | .010 | 40,000 | C-2V |
| CM8664 | 6.00 | .200 | .100 | 50,000 | C-2F |

T-1 3/4 Wire Terminal (standard)



| Part Number | Design Voltage | Amps | MSCP | Life Hours | Filament Type |
|-------------|----------------|------|------|------------|---------------|
| CM1739 | 6.30 | .070 | .230 | 1,000 | C-2R |
| CM2037 | 6.30 | .200 | .400 | 20,000 | C-2R |
| CM2039 | 6.30 | .075 | .230 | 1,000 | C-2R |
| CM2112 | 6.30 | .200 | .550 | 5,000 | C-2R |
| CM2179 | 6.30 | .040 | .030 | 20,000 | C-2V |
| CM2180 | 6.30 | .040 | .020 | 20,000 | C-2V |
| CM2181 | 6.30 | .200 | .400 | 20,000 | C-2F |
| CM8350 | 6.30 | .150 | .450 | 3,000 | C-2R |
| CM2178 | 8.00 | .085 | .150 | 25,000 | C-2F |
| CM1869 | 10.00 | .014 | .002 | 50,000 | C-2F |
| CM2107 | 10.00 | .040 | .080 | 5,000 | C-2F |
| CM2149 | 10.00 | .014 | .002 | 50,000 | C-2F |
| CM8946 | 11.00 | .022 | .030 | 10,000 | C-2F |
| CM2174 | 12.00 | .040 | .100 | 10,000 | C-2F |
| CM1705 | 14.00 | .080 | .500 | 1,500 | C-2F |
| CM2162 | 14.00 | .100 | .500 | 10,000 | C-2F |
| CM2182 | 14.00 | .080 | .300 | 40,000 | C-2F |
| CM2382 | 14.00 | .080 | .300 | 40,000 | C-2F |
| CM2102 | 18.00 | .040 | .150 | 10,000 | C-2F |
| CM8425 | 22.00 | .040 | .300 | 2,000 | C-2F |
| CM2041 | 24.00 | .060 | .500 | 5,000 | C-2F |
| CM2176 | 24.00 | .050 | .500 | 1,000 | C-2F |
| CM476 | 28.00 | .060 | .340 | 25,000 | C-2F |
| CM1749 | 28.00 | .060 | .340 | 25,000 | C-2F |
| CM1762 | 28.00 | .040 | .340 | 4,000 | C-2F |
| CM1764 | 28.00 | .040 | .340 | 4,000 | C-2F |
| CM2185 | 28.00 | .040 | .150 | 10,000 | C-2F |
| CM2187 | 28.00 | .040 | .300 | 7,000 | C-2F |
| CM2287 | 28.00 | .040 | .300 | 7,000 | C-2F |
| CM2370 | 28.00 | .050 | .700 | 1,000 | C-2F |
| CM6033 | 28.00 | .024 | .150 | 4,000 | CC-2F |
| CM8361 | 28.00 | .065 | .650 | 5,000 | C-2F |
| CM8461 | 28.00 | .050 | .500 | 5,000 | C-2F |
| CM1918 | 32.00 | .040 | .300 | 7,000 | C-2F |
| CM6748 | 48.00 | .025 | .200 | 5,000 | CC-2F |

Mouser Electronics

Authorized Distributor

Click to View Pricing, Inventory, Delivery & Lifecycle Information:

VCC:

[2169](#) [2180](#) [1869](#) [CM8361](#) [1762](#)