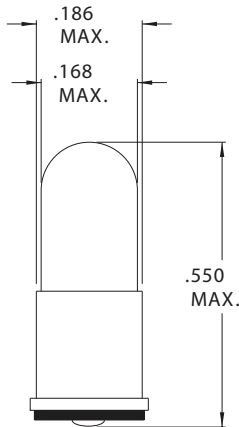
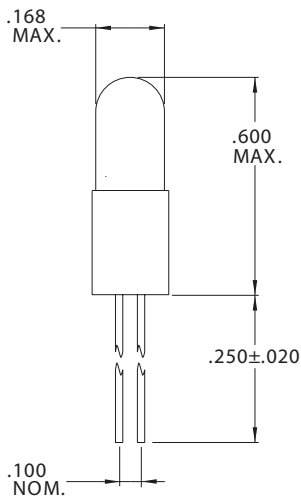


T-1 1/4 Special Midget Flange Base



Part Number	Design Voltage	Amps	MSCP	Life Hours	Filament Type
CM7302	1.30	.030	.006	100	S-2
CM8636	1.35	.060	.006	500	C-2R
CM8656	2.50	.400	.550	30	C-2R
CM8637	3.00	.190	.250	350	C-2R
CM3518	5.00	.115	.150	40,000	C-2R
CM3582	5.00	.060	.030	60,000	C-2R
CM3585	5.00	.060	.050	25,000	C-2R
CM8541	6.00	.060	.130	3,000	C-2R
CM8628	6.00	.200	.630	1,000	C-2R
CM8551	6.30	.200	.550	5,000	C-2R
CM8646	14.00	.080	.500	1,000	C-2F
CM737	28.00	.050	.300	16,000	C-2F
CM8632	28.00	.040	.320	1,000	C-2F

T-1 1/4 Bi-Pin Base (.100")



Part Number	Design Voltage	Amps	MSCP	Life Hours	Filament Type
CM7306	1.30	.030	.006	100	S-2
CM7636	1.35	.060	.006	500	C-2R
CM7307	2.50	.400	.550	30	C-2R
CM7637	3.00	.190	.250	350	C-2R
CM7515	5.00	.115	.150	40,000	C-2R
CM7580	5.00	.060	.030	60,000	C-2R
CM7583	5.00	.060	.050	25,000	C-2R
CM7309	6.00	.060	.130	3,000	C-2R
CM7628	6.00	.200	.630	1,000	C-2R
CM7310	6.30	.200	.550	5,000	C-2R
CM7646	14.00	.080	.500	1,000	C-2F
CM7052	28.00	.030	.200	5,000	C-2F
CM7632	28.00	.040	.320	1,000	C-2F

Mouser Electronics

Authorized Distributor

Click to View Pricing, Inventory, Delivery & Lifecycle Information:

VCC:

[7632](#) [7646](#) [8628](#)