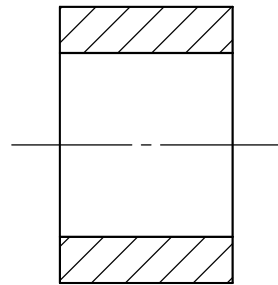
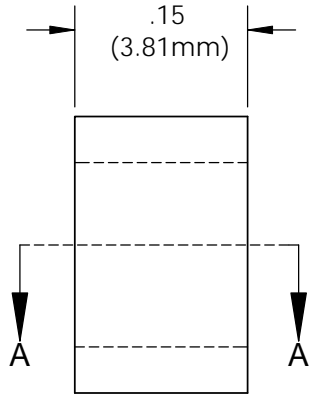
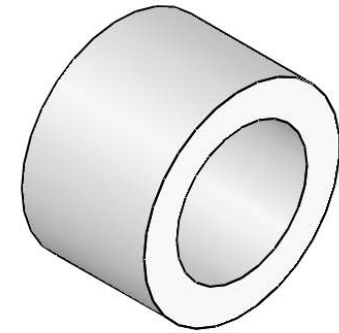
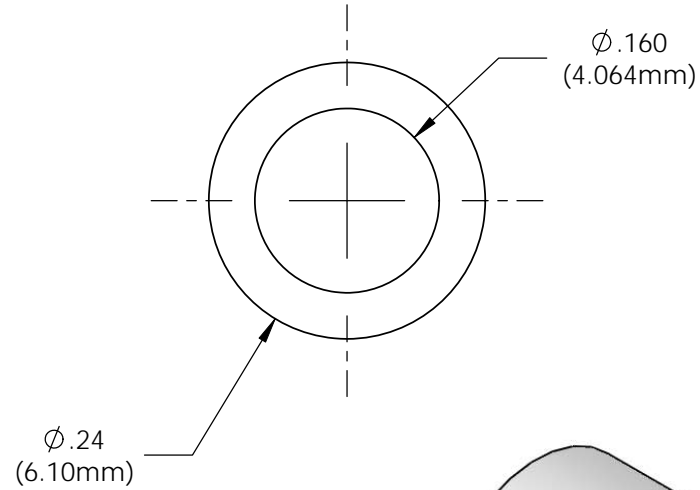


NOTES:
 1) U.S. & Foreign Pat. Issued & Pend.

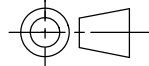
REVISIONS				
ECN #	REV	DESCRIPTION	DATE	INITIALS
	N/A	INITIAL RELEASE	6/16/99	JS
	001	REVISED PER ECR11109AZ01	2/1/10	KH
145	002	CHANGE IN MATERIAL	7/12/10	KH



SECTION A-A



ISOMETRIC VIEW

<small>UNLESS OTHERWISE SPECIFIED DIMENSIONS ARE IN INCHES: ANGLES DECIMALS ± 1' .X ±.020 .XX ±.010 FINISH .XXX ±.005</small> <small>BREAK ALL CORNERS AND SHARP EDGES .050 MAX</small>  <small>THIRD ANGLE PROJECTION</small>	MATERIAL TPE, BLACK		VISUAL COMMUNICATIONS COMPANY 190 Bosstick Boulevard, Suite 101 San Marcos, CA 92069 USA Phone (760) 560-1300 Fax (760) 560-1301 email vccsales@vcclite.com		
	FINISH SEE NOTES		TITLE: CLIPLITE RTN 150		
	APPROVALS DRAWN K.HOWARD CHECKED DPZ	DATE 2/1/10 2/22/10	SIZE A	DWG. NO. RTN 150	REV 002
DO NOT SCALE DRAWING			SCALE: 6:1		SHEET 1 OF 1



Mouser Electronics

Authorized Distributor

Click to View Pricing, Inventory, Delivery & Lifecycle Information:

VCC:

[RTN150](#)