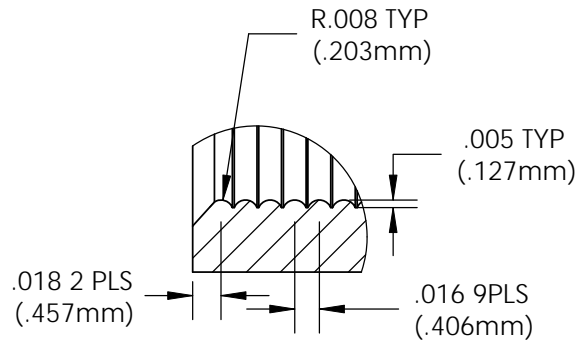
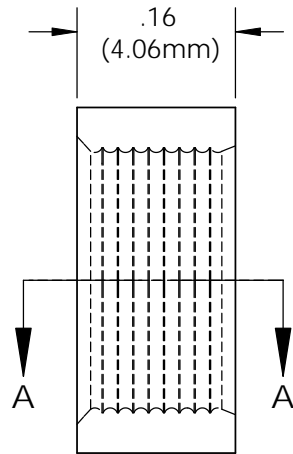


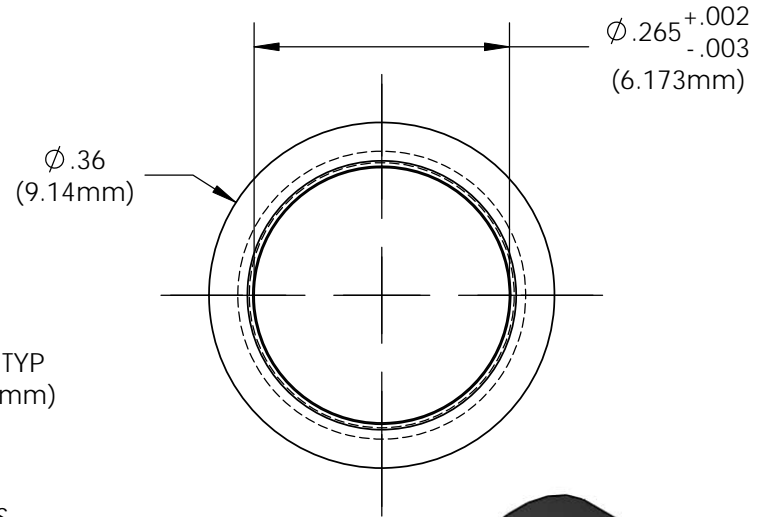
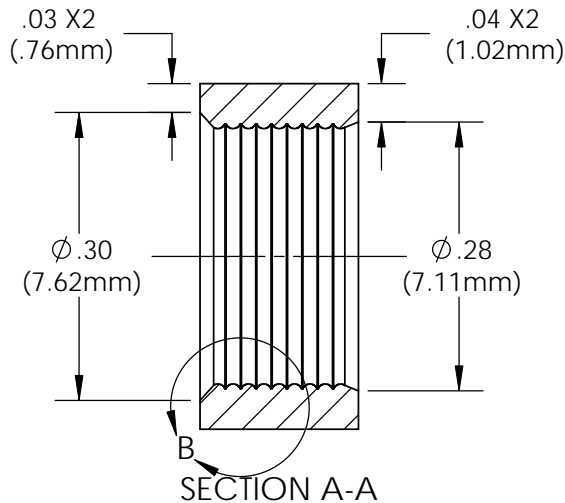
**NOTES:**

1. FINISH: Parts shall have a smooth appearance, min.600 surface finish, with no gates and all flash removed
2. U.S. & Foreign Pat. Issued & Pend.

REVISIONS				
ECN #	REV	DESCRIPTION	DATE	INITIALS
	1	VARIOUS	7/94	JS
	2	WAS .275 IS .272	9/26/02	JS
	3	WAS .272 IS .265	10/17/02	JS
	001	REVISED PER ECR 111009AZ01	2/11/10	KH
145	002	CHANGE IN MATERIAL	7/12/10	KH



DETAIL B  
SCALE 8 : 1



ISOMETRIC VIEW  
4:1

<small>UNLESS OTHERWISE SPECIFIED DIMENSIONS ARE IN INCHES:                  ANGLES    DECIMALS                  ± 1'        .X    ±.020                               .XX   ±.010                  FINISH    .XXX ±.005                  BREAK ALL CORNERS AND SHARP EDGES .050 MAX</small>		MATERIAL 50% POLYPROPYLENE (BLACK) 50% ELASTOCON		<b>VISUAL COMMUNICATIONS COMPANY</b> 190 Bosstick Boulevard, Suite 101 San Marcos, CA 92069 USA Phone (760) 560-1300 Fax (760) 560-1301 email vccsales@vccite.com		
		FINISH SEE NOTES		TITLE: <b>CLIPMOUNT RING RNG 268</b>		
<small>THIRD ANGLE PROJECTION</small> 		APPROVALS      DATE DRAWN    K.Howard    2/11/10 CHECKED   DPZ        2/22/10		SIZE <b>A</b>	DWG. NO. <b>RNG 268_E</b>	REV <b>002</b>
DO NOT SCALE DRAWING				SCALE: 5:1      SHEET 1 OF 1		

# Mouser Electronics

Authorized Distributor

Click to View Pricing, Inventory, Delivery & Lifecycle Information:

VCC:

[RNG268](#)