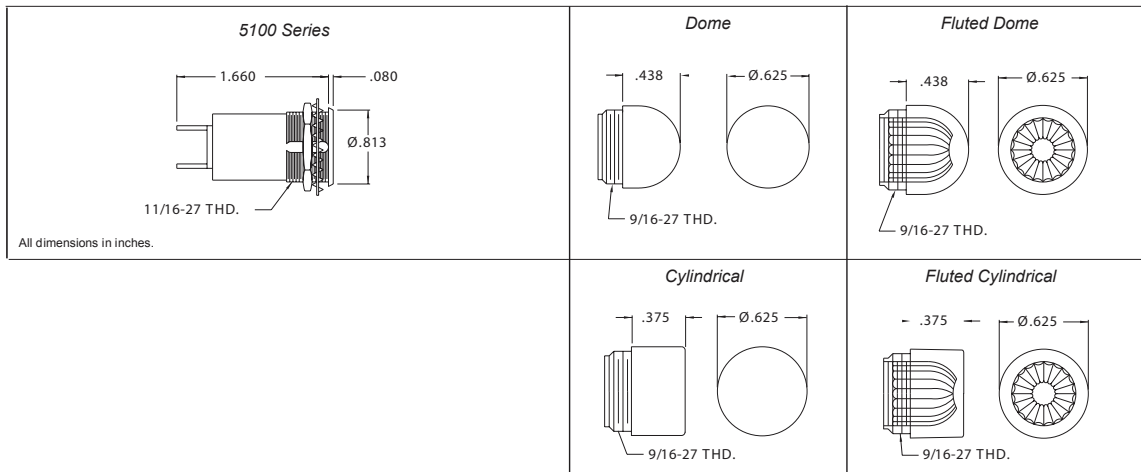


Miniature Relampable Indicator Light

Description and Features



The Chicago Miniature Lamp Miniature Indicator Lights are versatile, industry standard, front panel indicators capable of accepting a variety of T-2 and T-3 1/4 miniature bayonet based incandescent and neon lamps. These indicator lights accept a variety of different lens styles and colors, and are excellent for providing a large, bright, easily noticed status indicator. The lamp is not included with this indicator light; please order the required lamp separately.

Specifications

Part Number:	Description	Lens Part No:	Description
5100-822	Solder Lug Terminals, No Resistor	25P-306*	Transparent Dome
5100-823	Screw Type Terminals, No Resistor	25P-307**	Translucent Dome
5100-824	.250 Q.C. Terminals, No Resistor	25P-326*	Transparent Fluted Dome
		25P-606*	Transparent Cylindrical
		25P-607**Á	Translucent Cylindrical
		25P-626*Á	Transparent Fluted Cylindrical

* R = Red, A = Amber, G = Green, C = Clear
** R = Red, Y = Yellow, G = Green, W = White

Mounting Hole:	.688
Mounting Centers:	.969
Maximum Panel Thickness:	.406
Housing/Lens Material:	Glass filled polyester
Bezel:	Stainless steel
Hex Nut:	Zinc plated steel
Lockwasher:	Chromate treated steel
Lenses:	High temperature lexan
Approvals:	UL listed (except Q.C. terminal versions)
Electrical Rating:	up to 250 Volts, up to 3 Watts (contact factory for specific product rating)

Mouser Electronics

Authorized Distributor

Click to View Pricing, Inventory, Delivery & Lifecycle Information:

VCC:

[5100-822](#) [5100-824](#) [5100-823](#)