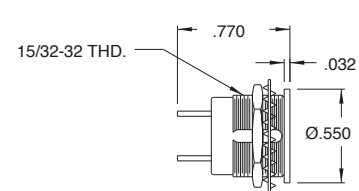
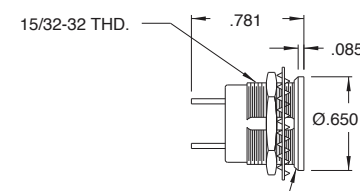
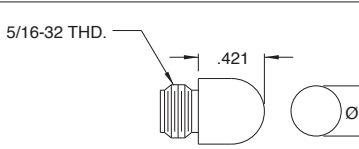
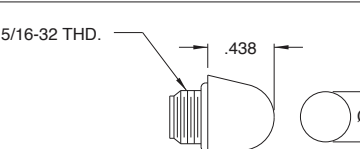


Midget Flange Relampable Indicator Lights

Description and Features

| Standard | Watertight |
|--|--|
|  <p>15/32-32 THD. .770 .032 Ø.550</p> <p>5131-038</p> |  <p>15/32-32 THD. .781 .085 Ø.650 O-RING</p> <p>5139-038</p> |
|  <p>5/16-32 THD. .421 Ø.438</p> <p>131A-30XX</p> |  <p>5/16-32 THD. .438 Ø.578</p> <p>139A-40XX</p> |

All dimensions in inches.

The Chicago Miniature Lamp Midget Flange Indicator Lights are versatile, industry standard, front panel indicator lights capable of accepting any T-1 3/4 midget flange base lamp. These high quality indicators provide reliable service in a vast array of commercial and military applications (conforming to MIL-L-3661). Lamps are easily replaced from the front panel. These indicator lights are available in both a standard configuration and a watertight configuration providing reliable status indication in the most demanding of environments. The lamp is not included with this indicator light; please order the required lamp separately.

Specifications

| Standard | Watertight | Description |
|-----------|------------|--------------------|
| 131A-303R | 139A-403R | Transparent Red |
| 131A-303A | 139A-403A | Transparent Amber |
| 131A-303G | - | Transparent Green |
| 131A-303C | 139A-403C | Transparent Clear |
| 131A-304R | 139A-404R | Translucent Red |
| 131A-304Y | 139A-404Y | Translucent Yellow |
| 131A-304G | 139A-404G | Translucent Green |
| 131A-304W | 139A-404W | Translucent White |

| | |
|--------------------------|---|
| Mounting Hole: | .484, 5131 Type has a keyed flange anti-rotation feature, 5139 Type features a flat "D" hole mounting |
| Mounting Centers: | .750 |
| Maximum Panel Thickness: | 5131 type - .265, 5139 type - .188 |
| Housing/Material: | Black anodized aluminum |
| Terminals: | Tin plated brass, center contact terminal marked + |
| Hex Nut: | Chrome treated steel |
| Lockwasher: | Chrome treated steel |
| Lens: | High temperature lexan |
| Lens Shank: | Nickel plated brass |
| Electrical rating: | up to 30 Volts, up to 2 Watt |

Mouser Electronics

Authorized Distributor

Click to View Pricing, Inventory, Delivery & Lifecycle Information:

VCC:

[5131-038](#)