



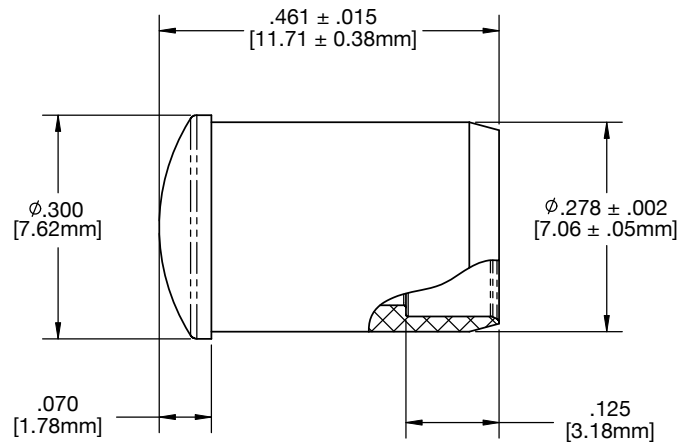
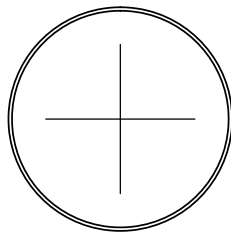
CML_325_CTP

Round Fresnel Low Profile Clear Lens for 5mm LEDs

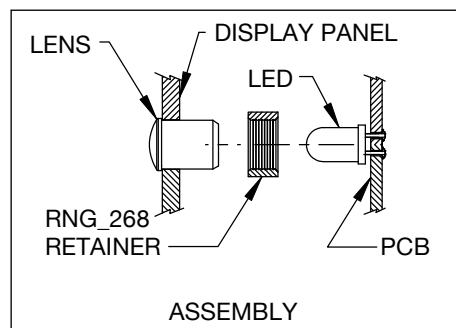
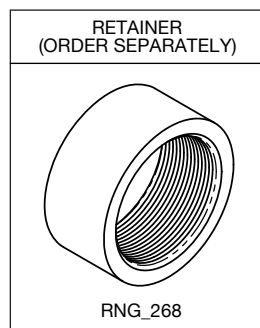


Notes

- **Mounting:** Mounts in a $\varnothing .281" \pm .002$ [$\varnothing 7.13\text{mm} \pm .05$] panel hole on $.375"$ [9.5mm] centers. Panel thickness $.031"$ [0.8mm] to $.250"$ [6.35mm]. Panel hole should be deburred, but not chamfered.
- **Assembly:** Insert lens through panel hole, slide RNG_268 retainer on back of lens. PCB mounted LEDs slide into lens when the panel cover is closed or the PCB card is inserted into the case.
- **Material:** Polycarbonate, UL 94-V2
- **Color:** Clear Transparent



Ordering Code: CML_325_CTP



UNLESS OTHERWISE SPECIFIED, DIMENSIONS ARE IN INCHES [MM]

	Inches	mm
.X	$\pm .020$	$\pm .508$
.XX	$\pm .010$	$\pm .254$
.XXX	$\pm .005$	$\pm .127$

Angle $\pm 1'$

Third Angle Projection

Mouser Electronics

Authorized Distributor

Click to View Pricing, Inventory, Delivery & Lifecycle Information:

VCC:

[CML_325_CTP](#)