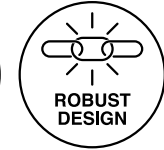


CL Series

Ø 0.555" (14mm) Watertight LED Indicator, IP67 and Vandal Resistant



Robust LED indicator with prominent bezel, especially suitable for high vibration environments and is ideal for heavy-duty applications.



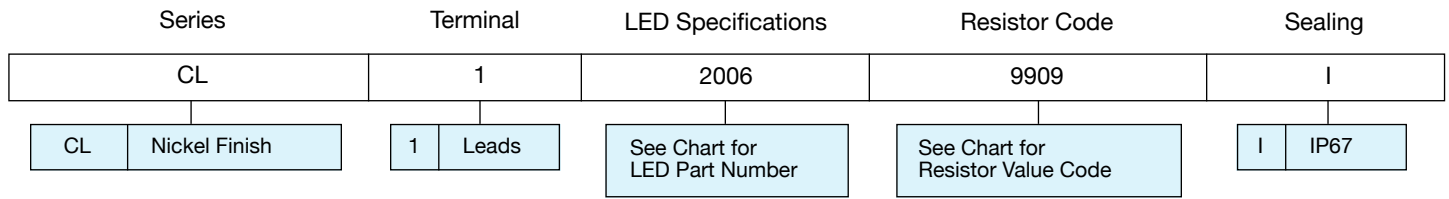
Application

- Status Indication
- Signaling
- Remote Power Indication
- Maritime, Oil and Gas Industry
- Automation and Control
- Maintenance and Warning Indication
- Safety and Emergency
- Main Power Indication
- Aircraft/Military Instrumentation

Key Features

- For panel hole diameter: 0.555" (14mm)
- Panel thickness up to .354" (9mm)
- Prominent LED indicator for increased visibility
- Internally potted-suitable for high vibration applications
- Designed for extreme, harsh and outdoor environments
- Available in operating voltage of 2V to 60V, 120VAC, and 240VAC
- Offered with 6" 24 AWG wire leads, red (anode) and black(cathode)
- Mil Spec MIL-W22759/33 wire
- Robust nickel-plated brass housing
- Available in four single colors: red, yellow, green, and blue
- Available in red/green bi-color
- Viewing angle: 20°-50° (dependent on model)
- Mounting hardware provided: hex nut, spacer, and gasket
- Thread size: M14*1.0mm
- Mounting torque: 20 ± 2 in-lb (2.26 ± 0.23 N-mm)
- Resistant to vandal, shock, and vibration
- For custom cable length, connectors or colors contact VCC
- RoHS and REACH Compliant

Ordering Data



Example:

CL-1-2006-9909-I

CL Nickel Finish, Wire Leads, Red LED 12 Volt, IP67

LED Specification Chart Electrical and Optical Characteristics (TA = 25°C)

LED Part Numbers	Color	Luminous Intensity (mcd) Typ. @ IF (mA)	VF Typ. @ IF (mA)	Viewing Angle (2θ ^{1/2})	Peak Wavelength (nm)
------------------	-------	-----------------------------------------	-------------------	------------------------------------	----------------------

SINGLE COLOR

2006	Red	100	20	2.0	20	30°	627
2007	Yellow	500.0	20	2.0	20	30°	590
2008	Green	100.0	20	2.1	20	30°	574
2004	Blue	400.0	20	3.3	20	20°	460

BI-COLOR

2005	Red	750.0	20	1.95	20	50°	645
	Green	130.0	20	2.1	20		574

Resistor Chart Operating Specification

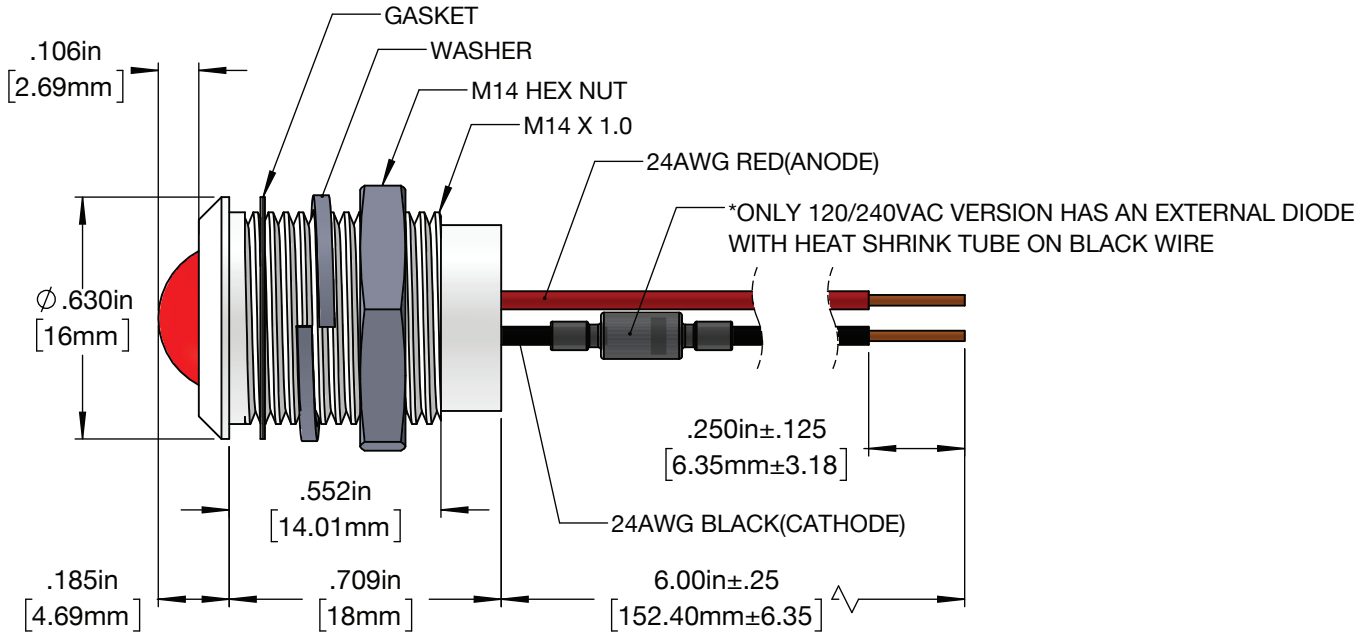
Resistor Value Code	Voltage	Current (mA)	Resistor Value (Ohms) Green, Yellow Red, Bicolor LED	Resistor Value (Ohms) Blue LED
---------------------	---------	--------------	------------------------------------------------------	--------------------------------

0000	2	20	None	Not Available
9907	5	20	150	
9922	5	20		65
9908	12	20	511	
9909	12	20		357
9910	24	20	1100	
9911	24	20		953
9912	48	9	4870	
9913	48	9		4530
9914	60	7	8250	
9915	60	7		7500
0120	120VAC	7	16500	Contact VCC
0240	240VAC	3.5	66400	Contact VCC

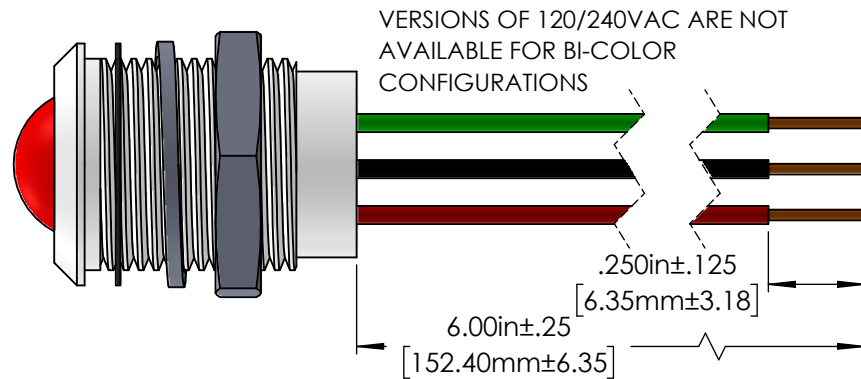
Note: Bi-Color not available in AC voltages

Product Dimensions

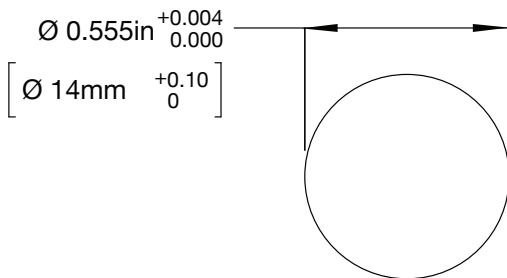
CL Series Wire Leads



CL Series Bi-Color



Recommended Mounting Hole



Notes:

1. All dimensions are in inches [millimeters]
2. Tolerance is $\pm[0.25] 0.01$ unless otherwise noted.
3. The specifications, characteristics and technical data described in the datasheet are subject to change without prior notice.

Product Specifications

Materials	
Housing	Nickel-plated brass housing
Wire Leads	24 awg, 6" length, red anode, black cathode
Washer	Stainless steel
Gasket (for W and I option)	70 Buna
Hex Nut	Brass Alloy 360 - 1/2 Hard

Electrical Specifications	
Operating Voltage	Refer to table
Operating Current	Refer to table

Installation Specifications	
Mounting Hole	0.555" \pm .004/-0.000" (14mm \pm 0.10/-0.00mm)
Panel Thickness (max.)	0.354" (9.0mm)
Wire Leads	24AWG UL1061 6.0" (152.4mm) red (anode) and black (cathode), leads stripped .250" (6.35mm)
Wire Leads AC Version	Black (hot) White (neutral) with external diode on black wire
Mounting Torque	20 \pm 2in-lb (2.26 \pm 0.23 N-mm)

Temperature Specifications	
Operating Temperature	-40°C to +85°C -40°F to +185°F
Storage Temperature	-40°C to +85°C -40°F to +185°F

Custom Connector

VCC can add crimped connections to your panel mount indicators (PMIs) and combine two final steps into one seamless transaction. We offer a range of connector options, including:



2 Position Connector



Wire-to-Wire Crimp Housing



Crimp Housing Connector



Micro-Fit Connector - Dual Row



Micro Rectangular Power Connector

Compliances and Approvals



Mouser Electronics

Authorized Distributor

Click to View Pricing, Inventory, Delivery & Lifecycle Information:

VCC:

[CL-1-2004-0000-I](#) [CL-1-2004-9908-I](#) [CL-1-2004-9909-I](#) [CL-1-2004-9910-I](#) [CL-1-2004-9911-I](#) [CL-1-2004-9912-I](#) [CL-1-2008-0240-I](#) [CL-1-2008-9907-I](#) [CL-1-2008-9908-I](#) [CL-1-2008-9910-I](#) [CL-1-2008-9912-I](#) [CL-1-2008-9914-I](#) [CL-1-2007-9907-I](#) [CL-1-2007-9908-I](#) [CL-1-2007-9910-I](#) [CL-1-2007-9912-I](#) [CL-1-2007-9914-I](#) [CL-1-2008-0120-I](#) [CL-1-2006-9908-I](#) [CL-1-2006-9910-I](#) [CL-1-2006-9912-I](#) [CL-1-2006-9914-I](#) [CL-1-2007-0120-I](#) [CL-1-2007-0240-I](#) [CL-1-2005-9910-I](#) [CL-1-2005-9912-I](#) [CL-1-2005-9914-I](#) [CL-1-2006-0120-I](#) [CL-1-2006-0240-I](#) [CL-1-2006-9907-I](#) [CL-1-2004-9913-I](#) [CL-1-2004-9914-I](#) [CL-1-2004-9915-I](#) [CL-1-2004-9922-I](#) [CL-1-2005-9907-I](#) [CL-1-2005-9908-I](#)