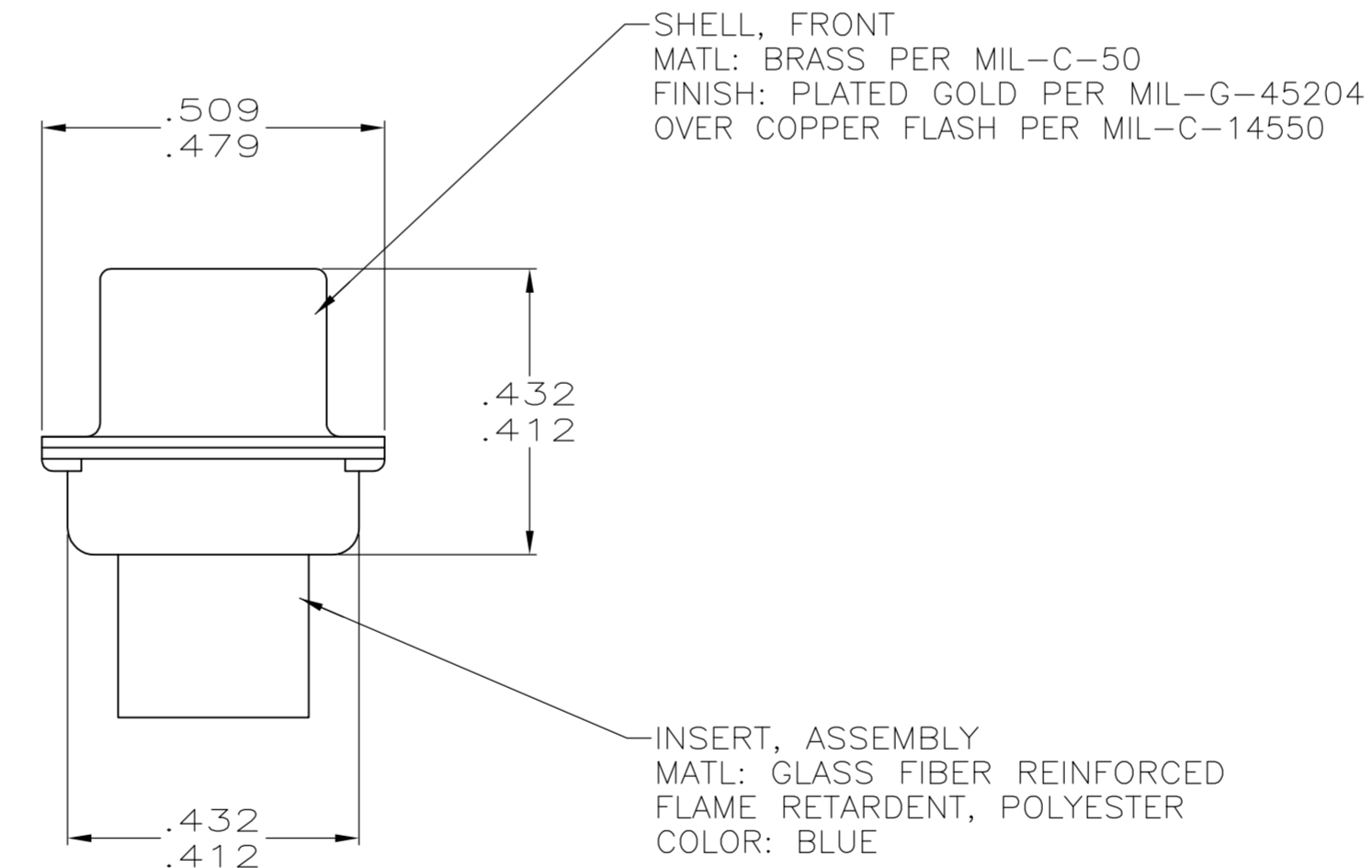
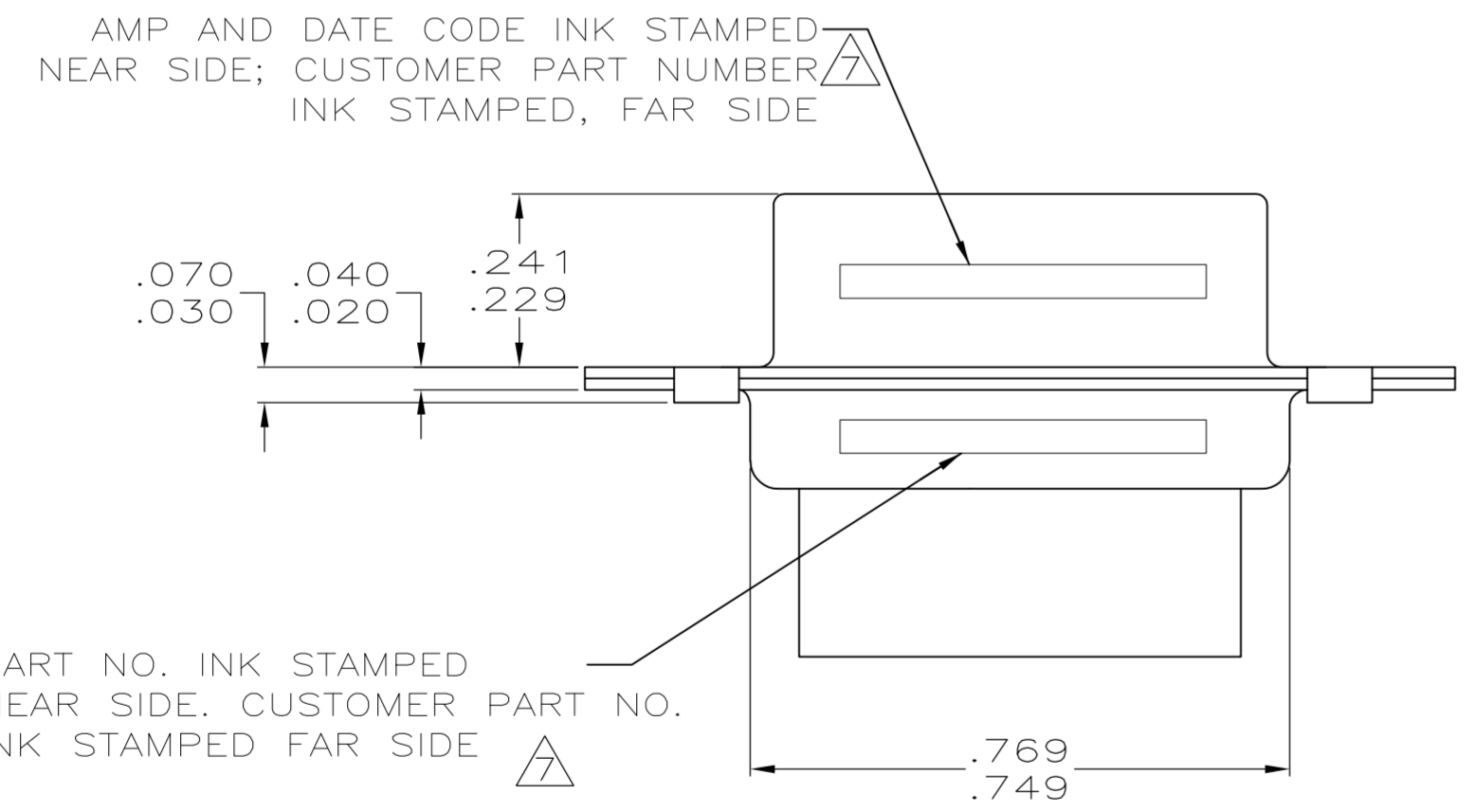
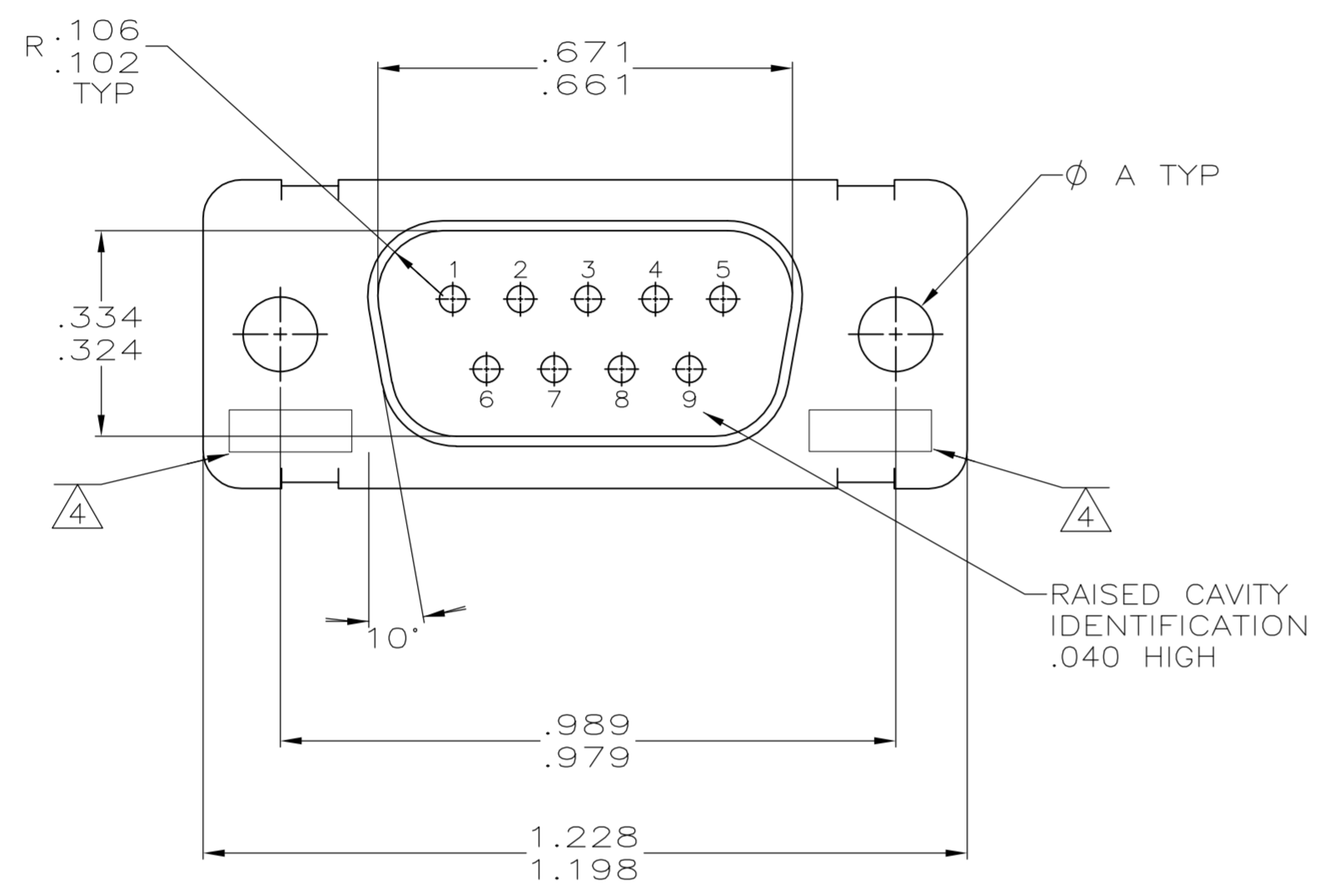


LOC		DIST		REVISIONS			
P	LTR	DESCRIPTION	DATE	DWN	APVD		
L1		REVISED PER ECO-11-005030	11MAR11	RK	HMR		



1. THIS PLUG WILL MATE WITH ANY RECEPTACLE CONNECTOR WITH THE SAME INSERT ARRANGEMENT AS DEFINED BY MS18273-1.
2. MAXIMUM WIRE INSULATION USED WITH THIS PLUG IS .072 DIA.
3. BE CU RETENTION CLIPS ARE INCLUDED IN INSERTS.
- △ UL/CSA DESIGNATION STAMPED IN THIS AREA.
- △ THESE CONNECTORS ARE QUALIFIED TO GODDARD SPACE FLIGHT CENTER SPECIFICATION S-311-P-4.
6. CONNECTOR SUPPLIED WITHOUT CONTACTS; SHOWN FOR DIMENSIONAL REFERENCE ONLY.
- △ CUSTOMER PART NUMBER MAY BE SPLIT BETWEEN FRONT AND REAR SHELLS, SAME SIDE. FAR SIDE REFERS TO WIDE SIDE OF KEYSTONE, NEAR SIDE REFERS TO NARROW SIDE OF KEYSTONE.
- △ RESTRICTED TO CAE ELECTRONICS ONLY.

		.120	570513-6	207252-6	207252-6
	5 8	.120	311P409-1P-B-12	207252-2	207252-5
OBS		.120	2A014-001V-001	207252-4	207252-4
OBS		.120	---	207252-3	207252-3
	5	.120	311P409-1P-B-12	207252-2	207252-2
	5	.154	311P409-1P-B-15	207252-1	207252-1
	REMARKS	A	INK STAMP CUSTOMER P/N	INK STAMP PART NUMBER	PART NUMBER

THIS DRAWING IS A CONTROLLED DOCUMENT.

DIMENSIONS: INCHES	TOLERANCES UNLESS OTHERWISE SPECIFIED:	DWN THOMPSON 08-12-93	CHK F. KINSEY 08-19-93	TE Connectivity	
0 PLC ± -	1 PLC ± -	APVD F. KINSEY 08-19-93	NAME	PLUG FOR PIN CONTACTS	
2 PLC ± -	3 PLC ± .005	PRODUCT SPEC		SERIES 109, SIZE 1, NONMAGNETIC	
4 PLC ± -	ANGLES ± °	APPLICATION SPEC	SIZE	CAGE CODE	DRAWING NO
MATERIAL SEE CALLOUTS	FINISH SEE CALLOUTS	WEIGHT	A1	00779	207252
			CUSTOMER DRAWING	SCALE 4:1	SHEET 1 OF 1 REV 1.1

Mouser Electronics

Authorized Distributor

Click to View Pricing, Inventory, Delivery & Lifecycle Information:

[TE Connectivity:](#)

[311P409-1P-B-12](#)