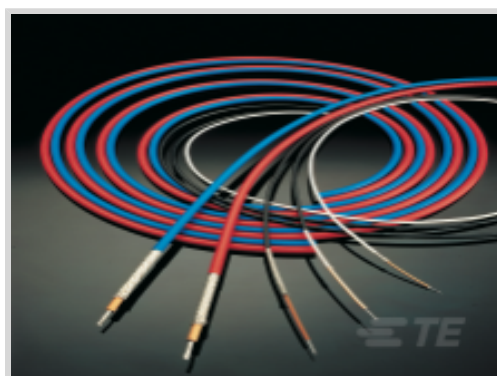




Wire & Cable > High Speed Digital & Data Cable



Cable Type: **Cheminax**

Impedance: **95 Ω**

Wire Size: **32 AWG**

Operating Temperature Range: **-65 – 125 °C [-85 – 257 °F]**

Features

Product Type Features

Cable Type	Cheminax
------------	----------

Electrical Characteristics

Impedance	95 Ω
-----------	------

Dimensions

Wire Size	32 AWG
-----------	--------

Usage Conditions

Operating Temperature Range	-65 – 125 °C[-85 – 257 °F]
-----------------------------	----------------------------

Product Compliance

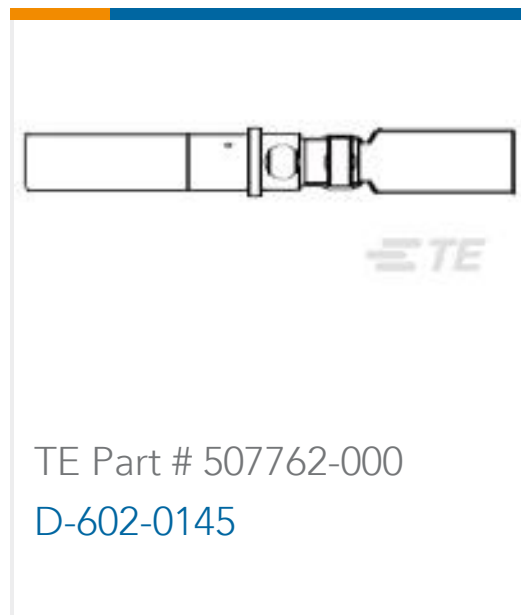
[For compliance documentation, visit the product page on TE.com>](#)

EU RoHS Directive 2011/65/EU	Compliant
EU ELV Directive 2000/53/EC	Compliant
China RoHS 2 Directive MIIT Order No 32, 2016	No Restricted Materials Above Threshold
EU REACH Regulation (EC) No. 1907/2006	Current ECHA Candidate List: JAN 2019 (197) Candidate List Declared Against: JAN 2019 (197)
Halogen Content	Out of Scope - excluded from Halogen requirements
Solder Process Capability	Not applicable for solder process capability

Product Compliance Disclaimer

This information is provided based on reasonable inquiry of our suppliers and represents our current actual knowledge based on the information they provided. This information is subject to change. The part numbers that TE has identified as EU RoHS compliant have a maximum concentration of 0.1% by weight in homogenous materials for lead, hexavalent chromium, mercury, PBB, PBDE, DBP, BBP, DEHP, DIBP, and 0.01% for cadmium, or qualify for an exemption to these limits as defined in the Annexes of Directive 2011/65/EU (RoHS2). Finished electrical and electronic equipment products will be CE marked as required by Directive 2011/65/EU. Components may not be CE marked. Additionally, the part numbers that TE has identified as EU ELV compliant have a maximum concentration of 0.1% by weight in homogenous materials for lead, hexavalent chromium, and mercury, and 0.01% for cadmium, or qualify for an exemption to these limits as defined in the Annexes of Directive 2000/53/EC (ELV). Regarding the REACH Regulations, TE's information on SVHC in articles for this part number is still based on the European Chemical Agency (ECHA) 'Guidance on requirements for substances in articles' (Version: 2, April 2011), applying the 0.1% weight on weight concentration threshold at the finished product level. TE is aware of the European Court of Justice ruling of September 10th, 2015 also known as O5A (Once An Article Always An Article) stating that, in case of 'complex object', the threshold for a SVHC must be applied to both the product as a whole and simultaneously to each of the articles forming part of its composition. TE has evaluated this ruling based on the new ECHA "Guidance on requirements for substances in articles" (June 2017, version 4.0) and will be updating its statements accordingly.

Compatible Parts

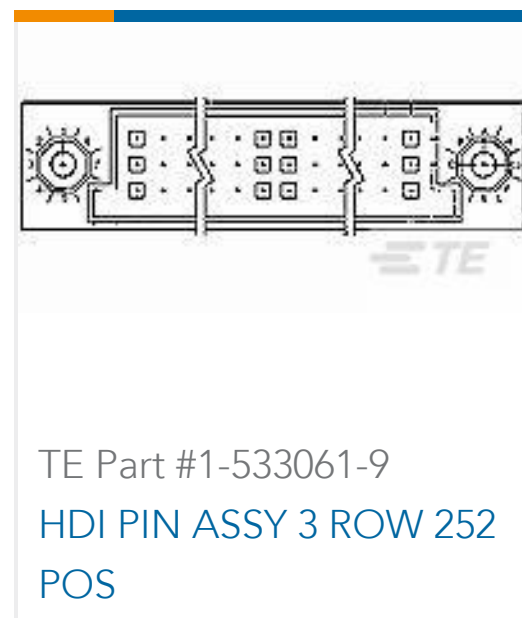


TE Part # 507762-000
D-602-0145

Customers Also Bought



TE Part # CV6455-000
TXR40AC00-2214AIL-
CS9075



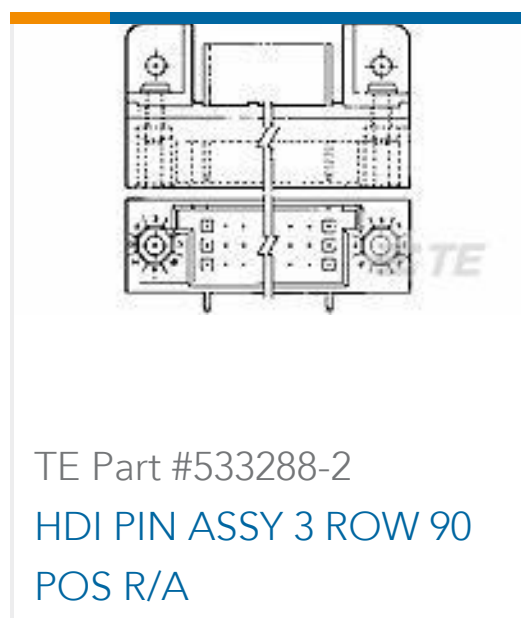
TE Part # 1-533061-9
HDI PIN ASSY 3 ROW 252
POS



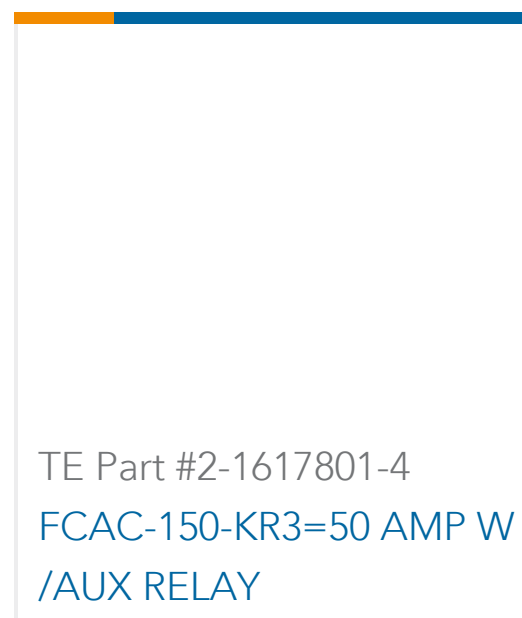
TE Part # CZ1864-000
209M410-19C20



TE Part # CB6966-000
44A1111-24-9-91



TE Part # 533288-2
HDI PIN ASSY 3 ROW 90
POS R/A



TE Part # 2-1617801-4
FCAC-150-KR3=50 AMP W
/AUX RELAY



TE Part # 1-1879452-0
TE 750W 5R6 5% Bracket



TE Part # CV7528-000
TXR40AB90-0804AIL



Documents

Product Drawings

[9532A1314-0](#)

English

Datasheets & Catalog Pages

[1654025_Sec9_CheminaxCables](#)

English

Product Specifications

[Product Specification](#)

English

Mouser Electronics

Authorized Distributor

Click to View Pricing, Inventory, Delivery & Lifecycle Information:

[TE Connectivity:](#)

[9532A1314-0](#)