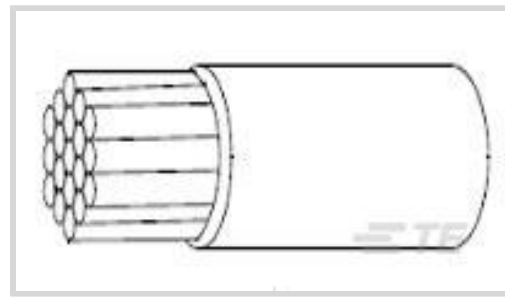




Wire & Cable > Hook Up Wire



Cable Type: MIL-DTL-22759

Voltage Rating: 600 V

Insulation Material: Modified Radiation Cross-linked ETFE Polymer

Conductor Material: Silver-Coated High Strength Copper Alloy

Wire Size: 26 AWG

## Features

### Product Type Features

Product Type	Wire
Product Classification	Cable - High Performance - Spec 44, 55 & RCW
Cable Style	Primary
Cable Type	MIL-DTL-22759

### Configuration Features

Number of Conductors	1
Number of Strands	19

### Electrical Characteristics

Voltage Rating	600 V
----------------	-------

### Body Features

Wire Color	Violet
Insulation Material	Modified Radiation Cross-linked ETFE Polymer
Conductor Material	Silver-Coated High Strength Copper Alloy

### Dimensions

Wire Diameter	.81 mm[.032 in] .005 in
Overall Outside Diameter	.81 mm[.032 in]



Conductor Diameter	.482 mm[.019 in]
--------------------	------------------

Strand Size	38 AWG
-------------	--------

Wire Size	26 AWG
-----------	--------

### Usage Conditions

Operating Temperature Range	-65 – 200 °C
-----------------------------	--------------

### Other

Wire Source	United States
-------------	---------------

## Product Compliance

[For compliance documentation, visit the product page on TE.com>](#)

EU RoHS Directive 2011/65/EU	Compliant
------------------------------	-----------

EU ELV Directive 2000/53/EC	Compliant
-----------------------------	-----------

China RoHS 2 Directive MIIT Order No 32, 2016	No Restricted Materials Above Threshold
---	---

EU REACH Regulation (EC) No. 1907/2006	Current ECHA Candidate List: JAN 2019 (197) Candidate List Declared Against: JUN 2018 (191)
--	--

Halogen Content	Low Halogen - Br, Cl, F, I < 900 ppm per homogenous material. Also BFR/CFR/PVC Free
-----------------	---

Solder Process Capability	Not applicable for solder process capability
---------------------------	--

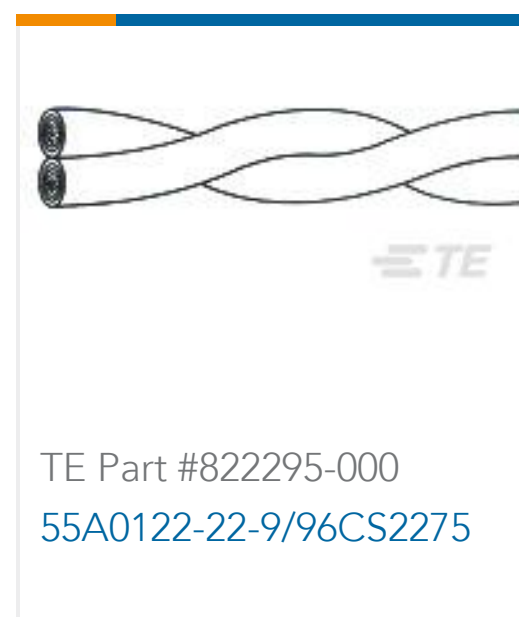
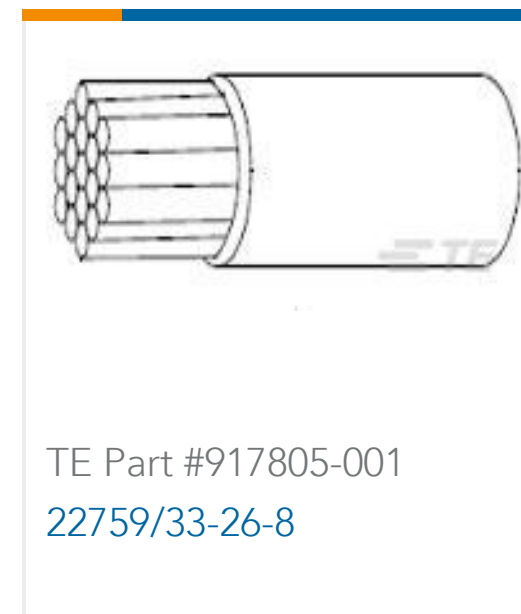
#### Product Compliance Disclaimer

This information is provided based on reasonable inquiry of our suppliers and represents our current actual knowledge based on the information they provided. This information is subject to change. The part numbers that TE has identified as EU RoHS compliant have a maximum concentration of 0.1% by weight in homogenous materials for lead, hexavalent chromium, mercury, PBB, PBDE, DBP, BBP, DEHP, DIBP, and 0.01% for cadmium, or qualify for an exemption to these limits as defined in the Annexes of Directive 2011/65/EU (RoHS2). Finished electrical and electronic equipment products will be CE marked as required by Directive 2011/65/EU. Components may not be CE marked. Additionally, the part numbers that TE has identified as EU ELV compliant have a maximum concentration of 0.1% by weight in homogenous materials for lead, hexavalent chromium, and mercury, and 0.01% for cadmium, or qualify for an exemption to these limits as defined in the Annexes of Directive 2000/53/EC (ELV). Regarding the REACH Regulations, TE's information on SVHC in articles for this part number is still based on the European Chemical Agency (ECHA) 'Guidance on requirements for substances in articles' (Version: 2, April 2011), applying the 0.1% weight on weight concentration threshold at the finished product level. TE is aware of the European Court of Justice ruling of September 10th, 2015 also known as O5A (Once An Article Always An Article) stating that, in case of 'complex object', the threshold for a SVHC must be applied to both the product as a whole and simultaneously to each of the articles forming part of its composition. TE has evaluated this ruling based on the new ECHA "Guidance on requirements for substances in articles" (June 2017, version 4.0) and will be updating its statements accordingly.

## Compatible Parts



## Customers Also Bought



## Documents

### Product Drawings

[22759/33-26-7](#)

English

### Datasheets & Catalog Pages

[1654025\\_Sec9\\_SPEC55](#)

English

### Product Specifications

[Product Specification](#)

22759/33-26-7

TE Part # 936887-002  
TE Internal #: 22759/33-26-7  
Mil-Spec: [M22759/33-26-7]



English

# Mouser Electronics

Authorized Distributor

Click to View Pricing, Inventory, Delivery & Lifecycle Information:

[TE Connectivity:](#)

[22759/33-26-7](#)