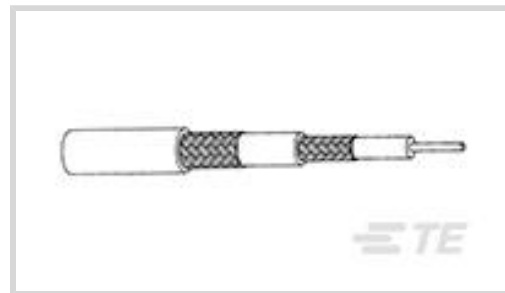




Wire & Cable > High Speed Digital & Data Cable

Cable Type: **Cheminax**Impedance: **75 Ω**Wire Size: **28 AWG**Operating Temperature Range: **-65 – 125 °C [-85 – 257 °F]**

Features

Product Type Features

Product Classification	Cable - Coaxial
Cable Style	Round Braided
Product Type	Cable
Cable Type	Cheminax

Electrical Characteristics

	17.8 pF/ft
Impedance	75 Ω

Signal Characteristics

Velocity of Propagation	76%
-------------------------	-----

Body Features

Shield Material	Tin-Plated Copper
Shield Style	Double
Jacket Color	White
Conductor Material	Silver-Plated High Strength Copper
Jacket Material	Thermorad S

Dimensions

Wire Diameter	.38 mm[.015 in]
Cable Dielectric Diameter	1.65 mm[.065 in]
Overall Outside Diameter	3.53 mm[.139 in]
Wire Size	28 AWG

Usage Conditions

Operating Temperature Range	-65 – 125 °C[-85 – 257 °F]
-----------------------------	----------------------------

Other

Dielectric Material	Rayfoam L
---------------------	-----------

Product Compliance

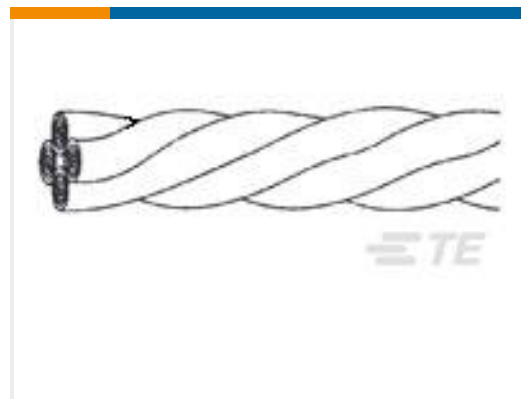
[For compliance documentation, visit the product page on TE.com>](#)

EU RoHS Directive 2011/65/EU	Compliant
EU ELV Directive 2000/53/EC	Compliant
China RoHS 2 Directive MIIT Order No 32, 2016	No Restricted Materials Above Threshold
EU REACH Regulation (EC) No. 1907/2006	Current ECHA Candidate List: JAN 2019 (197) Candidate List Declared Against: JAN 2019 (197)
Halogen Content	Out of Scope - excluded from Halogen requirements
Solder Process Capability	Not applicable for solder process capability

Product Compliance Disclaimer

This information is provided based on reasonable inquiry of our suppliers and represents our current actual knowledge based on the information they provided. This information is subject to change. The part numbers that TE has identified as EU RoHS compliant have a maximum concentration of 0.1% by weight in homogenous materials for lead, hexavalent chromium, mercury, PBB, PBDE, DBP, BBP, DEHP, DIBP, and 0.01% for cadmium, or qualify for an exemption to these limits as defined in the Annexes of Directive 2011/65/EU (RoHS2). Finished electrical and electronic equipment products will be CE marked as required by Directive 2011/65/EU. Components may not be CE marked. Additionally, the part numbers that TE has identified as EU ELV compliant have a maximum concentration of 0.1% by weight in homogenous materials for lead, hexavalent chromium, and mercury, and 0.01% for cadmium, or qualify for an exemption to these limits as defined in the Annexes of Directive 2000/53/EC (ELV). Regarding the REACH Regulations, TE's information on SVHC in articles for this part number is still based on the European Chemical Agency (ECHA) 'Guidance on requirements for substances in articles' (Version: 2, April 2011), applying the 0.1% weight on weight concentration threshold at the finished product level. TE is aware of the European Court of Justice ruling of September 10th, 2015 also known as O5A (Once An Article Always An Article) stating that, in case of 'complex object', the threshold for a SVHC must be applied to both the product as a whole and simultaneously to each of the articles forming part of its composition. TE has evaluated this ruling based on the new ECHA "Guidance on requirements for substances in articles" (June 2017, version 4.0) and will be updating its statements accordingly.

Customers Also Bought



TE Part #374402-000
[44A0141-24-0/2/6/9](#)



TE Part #387811-000
[44A1111-20-4-9](#)



TE Part #387087K005
[44A1111-24-1-9](#)



TE Part #E146163001
[55A9012-30-4/5](#)



TE Part #736271-000
[82A0111-26-6](#)



TE Part #CS0143-000
[TXR40SJ90-2418BI](#)



TE Part #469059-000
[TXR40AB00-2414BI](#)

Documents

Product Drawings

[7528A5314-9](#)

English

Datasheets & Catalog Pages

[1654025_Sec9_CheminaxCables](#)

English

Product Specifications

[Product Specification](#)

English

Mouser Electronics

Authorized Distributor

Click to View Pricing, Inventory, Delivery & Lifecycle Information:

[TE Connectivity:](#)

[7528A5314-9](#)