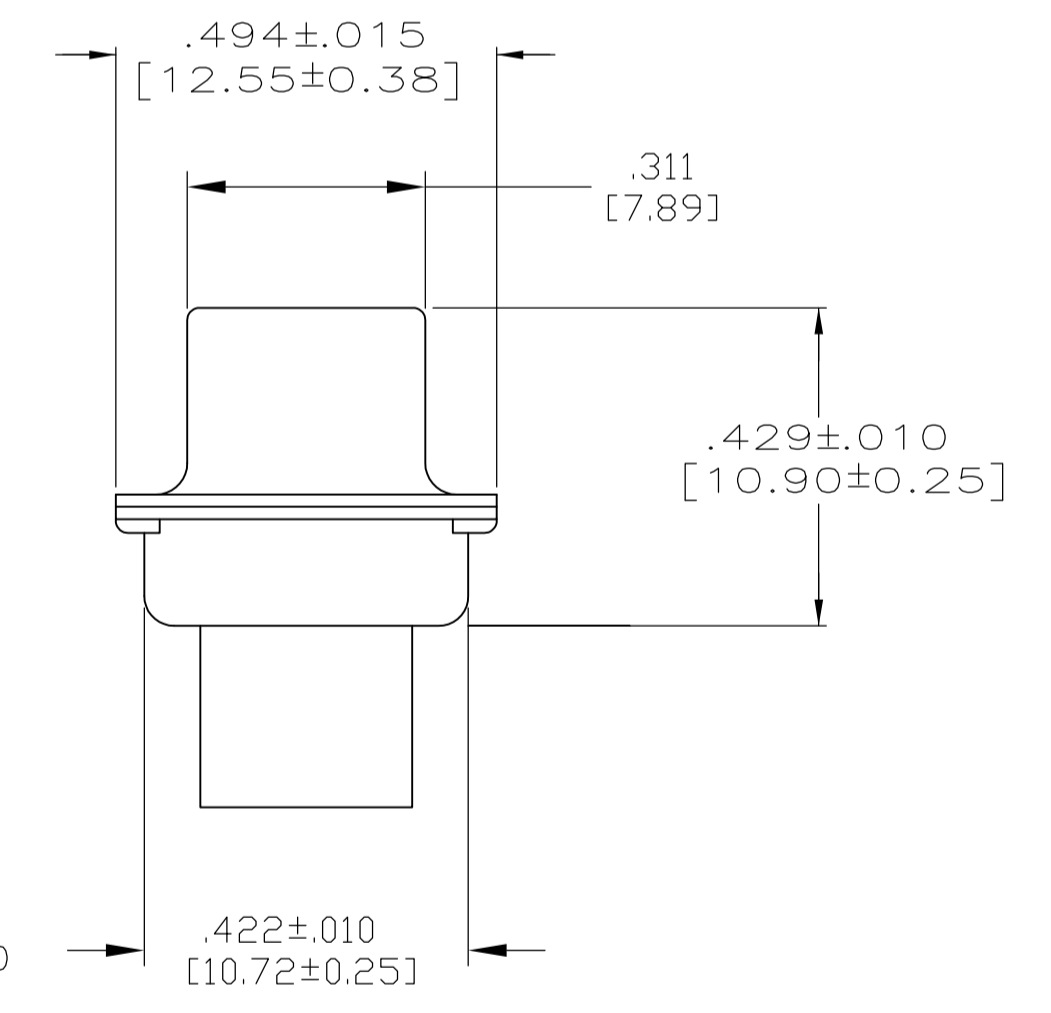
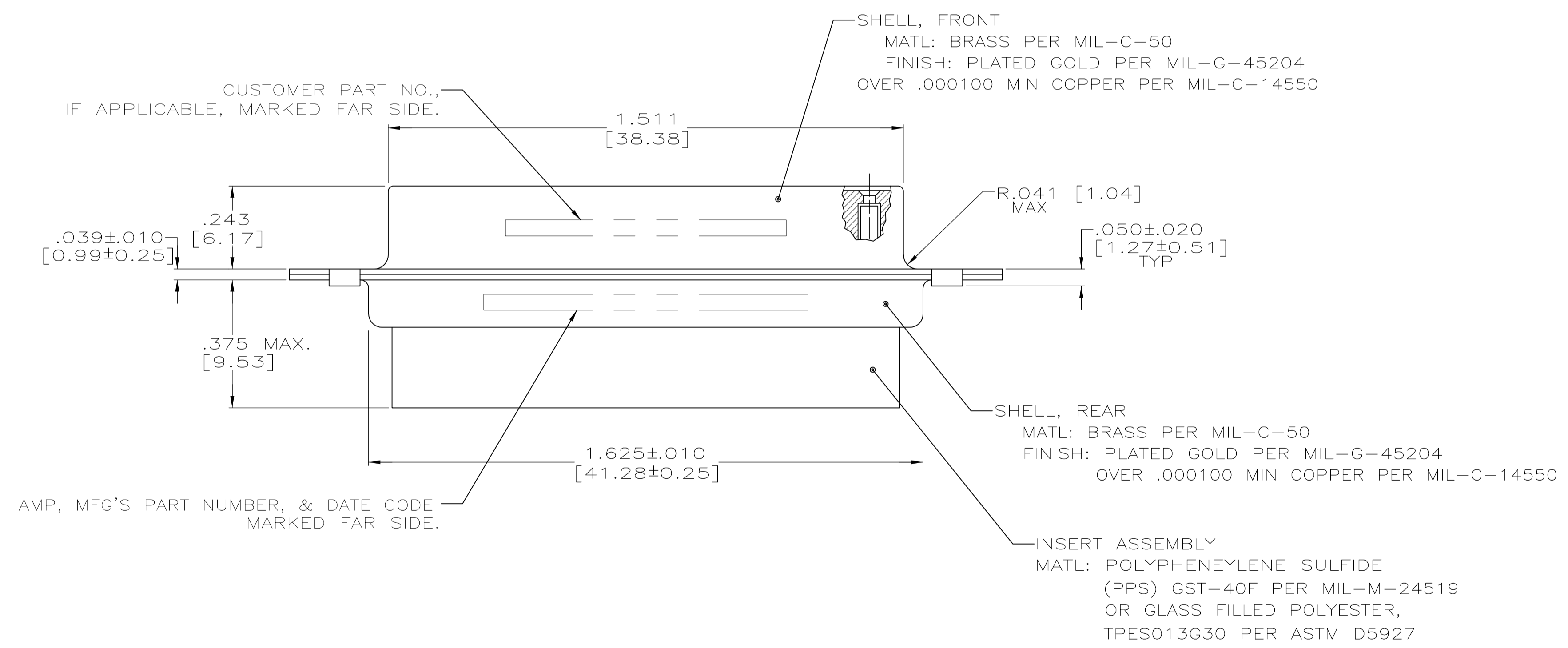
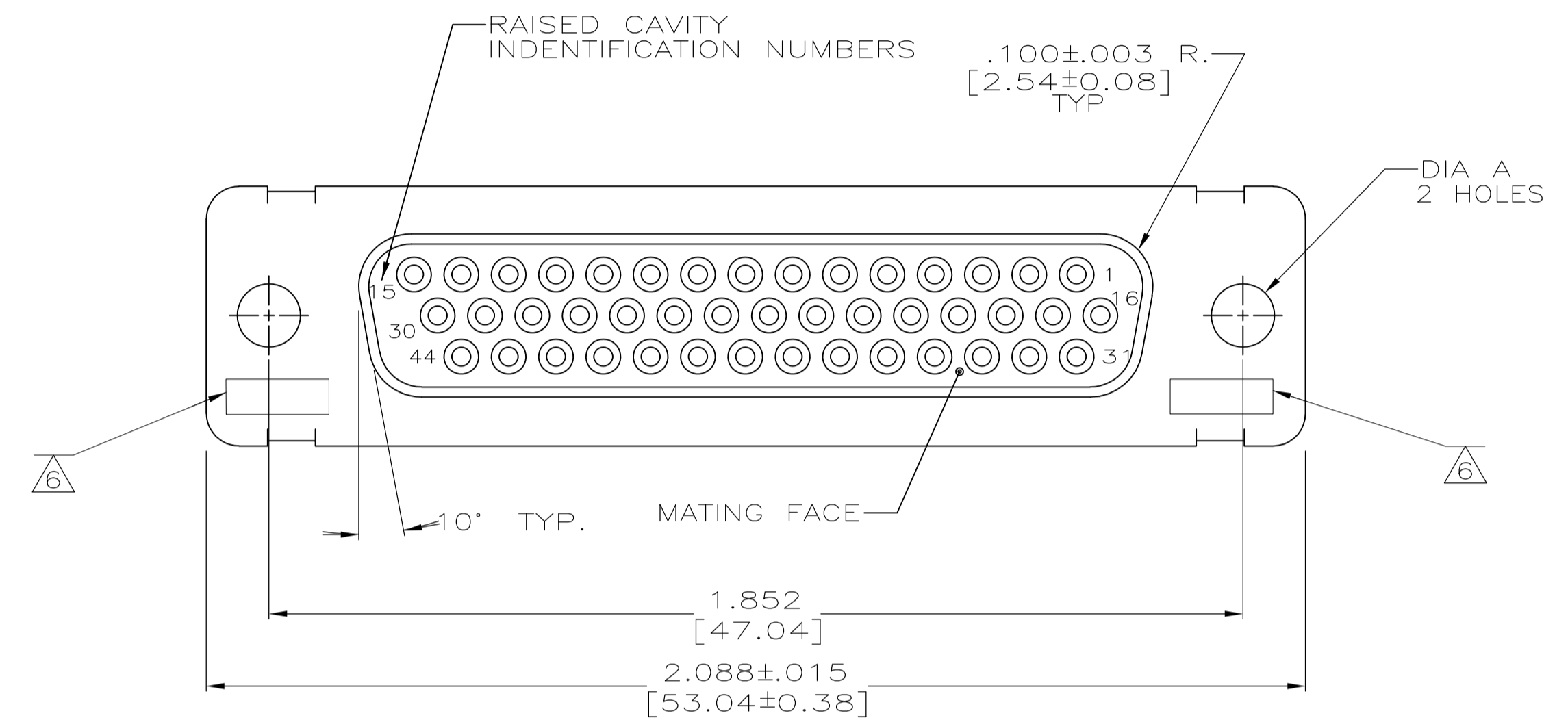


- THIS RECEPTACLE WILL MATE WITH ANY PLUG CONNECTOR WITH THE SAME INSERT ARRANGEMENT AS DEFINED BY MS18275-2.
 - MAXIMUM WIRE INSULATION USED WITH THIS RCPT. IS .054 [1.37] DIA.
 - Be-Cu RETENTION CLIPS ARE INCLUDED IN INSERTS.
- 4 INSPECTION REQUIREMENTS PER R4383.
 - 5 CONNECTOR SUPPLIED WITH 49 CONTACTS, MFG'S PART NUMBER 206071-1. INSPECTION REQUIREMENTS PER R4383 WITHOUT TESTS FOR HIGH ALTITUDE DIELECTRIC WITHSTANDING VOLTAGE AS CALLED FOR IN TABLE II SCREENING AND TESTING.
 - 6 UL/CSA DESIGNATION MARKED IN THIS AREA, OPTIONAL
 - 7 SPECIAL TESTING PER GE DOCUMENT 20025720. CONNECTOR SUPPLIED WITH 54 CONTACTS, MFG'S P/N 206071-1.
 - 8 RESTRICTED TO CAE ELECTRONICS ONLY.
 - 9 THESE CONNECTORS ARE QUALIFIED TO GODDARD SPACE FLIGHT CENTER SPECIFICATION S-311-P-4.



MFG'S P/N 206071-1
GSFC P/N G-08-S1
(SUPPLIED WITH 206064-7 AND 206064-8 ONLY)

REMARKS	DIA A	CUSTOMER P/N ON CONNECTOR	AMP P/N ON CONNECTOR	MFG'S P/N
8/9	.120 [3.05]	570566-3	1-206064-0	1-206064-0
7	.120 [3.05]	311P407-3S-B-12	206064-4	206064-9
5	.120 [3.05]	20025720P1044S	206064-8	206064-8
	.120 [3.05]	R4383P44S	206064-7	206064-7
	.120 [3.05]	---	206064-6	206064-6
4	.120 [3.05]	R4383P44S-2	206064-5	206064-5
9	.120 [3.05]	311P407-3S-B-12	206064-4	206064-4
	.154 [3.91]	---	206064-3	206064-3
9	.154 [3.91]	311P407-3S-B-15	206064-2	206064-2
	.120 [3.05]	R9259P44S	206064-1	206064-1

Mouser Electronics

Authorized Distributor

Click to View Pricing, Inventory, Delivery & Lifecycle Information:

[TE Connectivity:](#)

[311P407-3S-B-12](#)