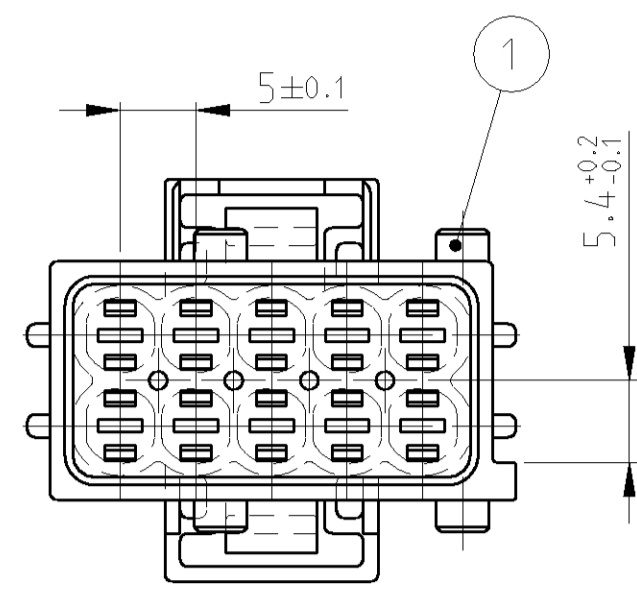


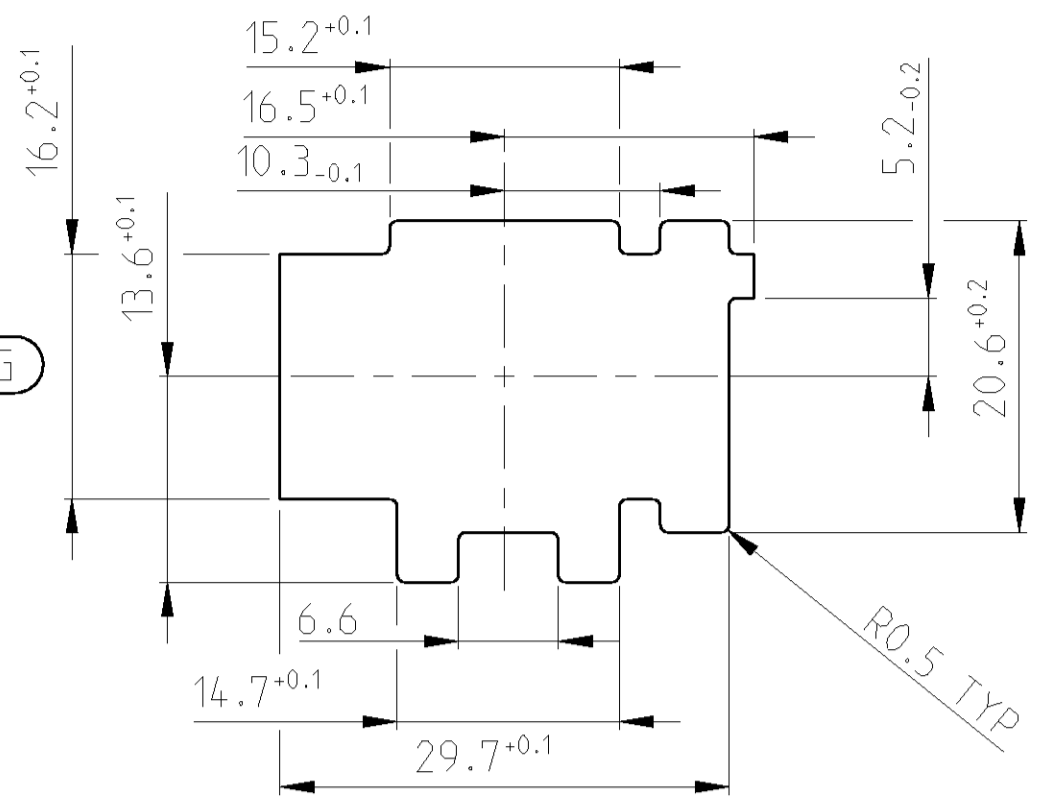
MATED WITH:
 963214

PROJECT NO.		LOC	DIST	REVISIONS					
89-52111		A1	-	P.	LT#	DESCRIPTION	DATE	DWN	APPR
E2	SEE PCN EG00-0789-02						05MAR02	H.M.	T.K.
E3	SEE PCN EG00-0893-02						12MAR02	H.M.	T.K.
F	SEE E-07-025384						24OCT2007	CA	TK

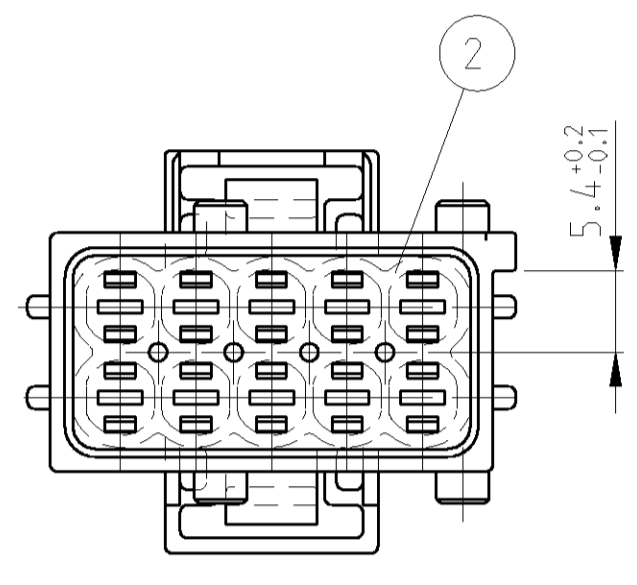
CODING A1



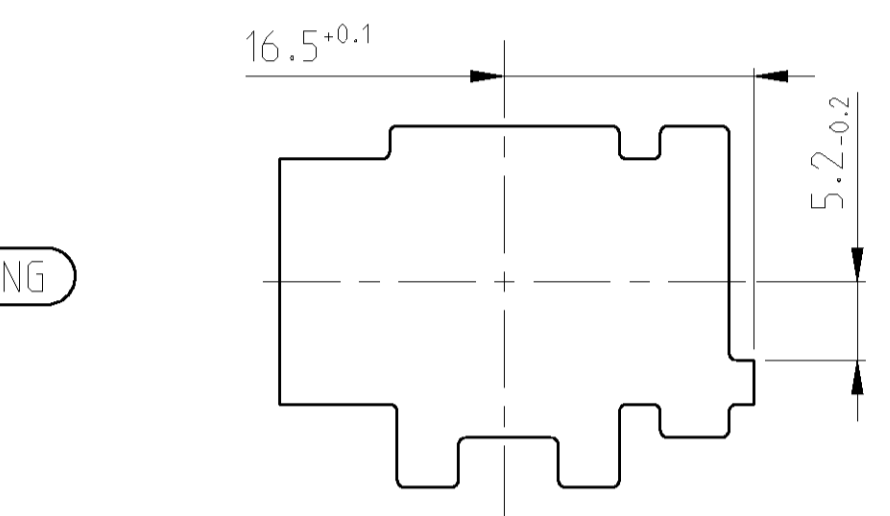
MOUNTING OPENING



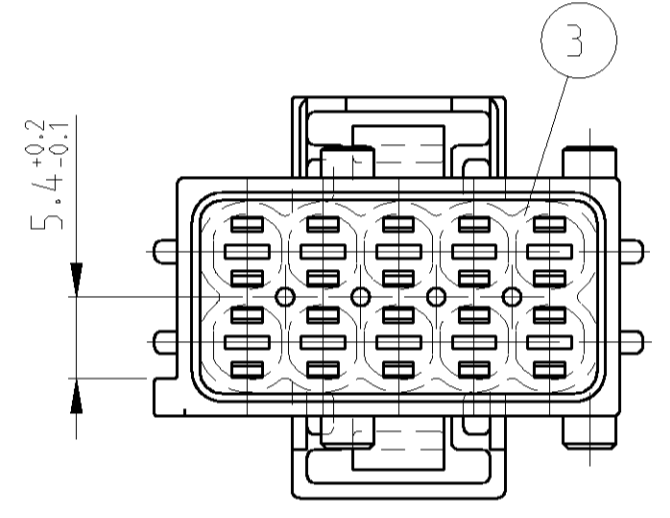
CODING B1



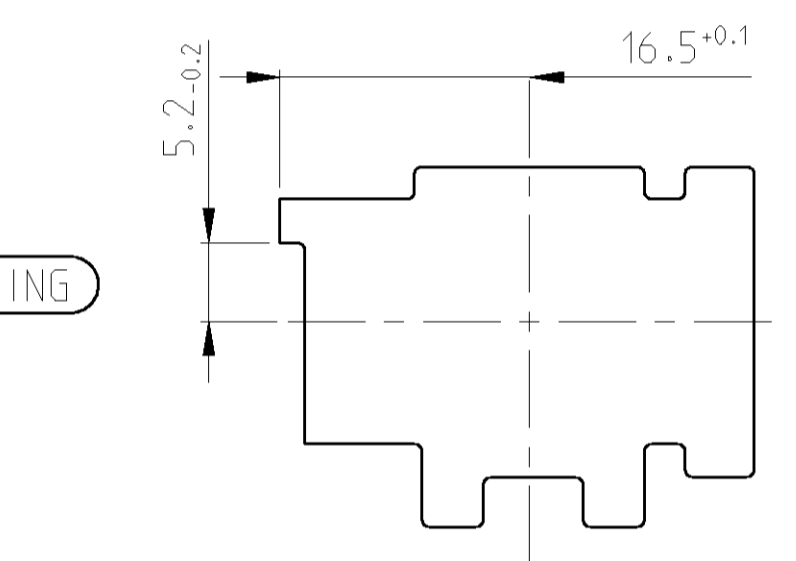
MOUNTING OPENING



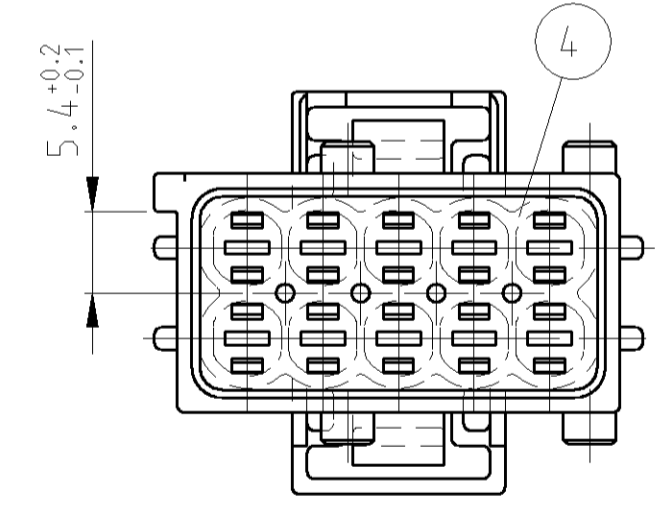
CODING C1



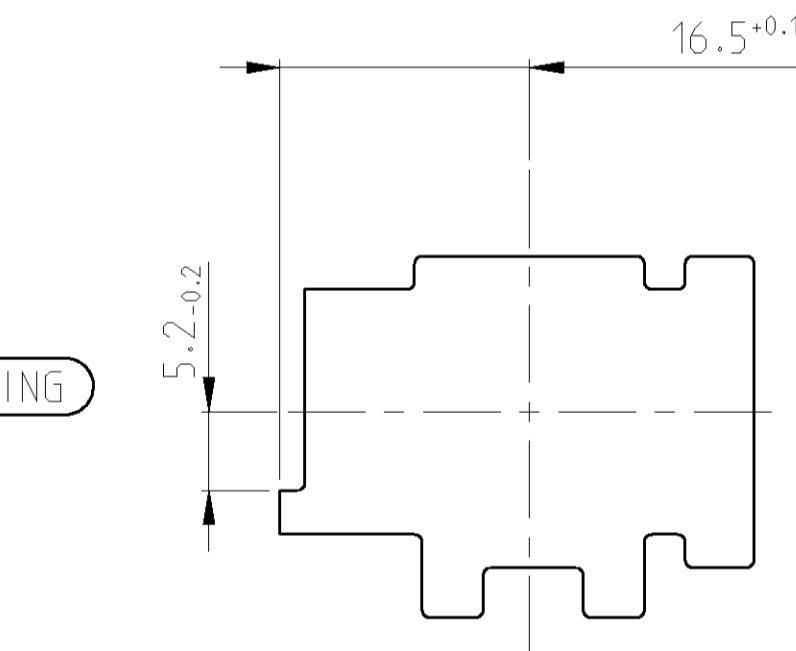
MOUNTING OPENING



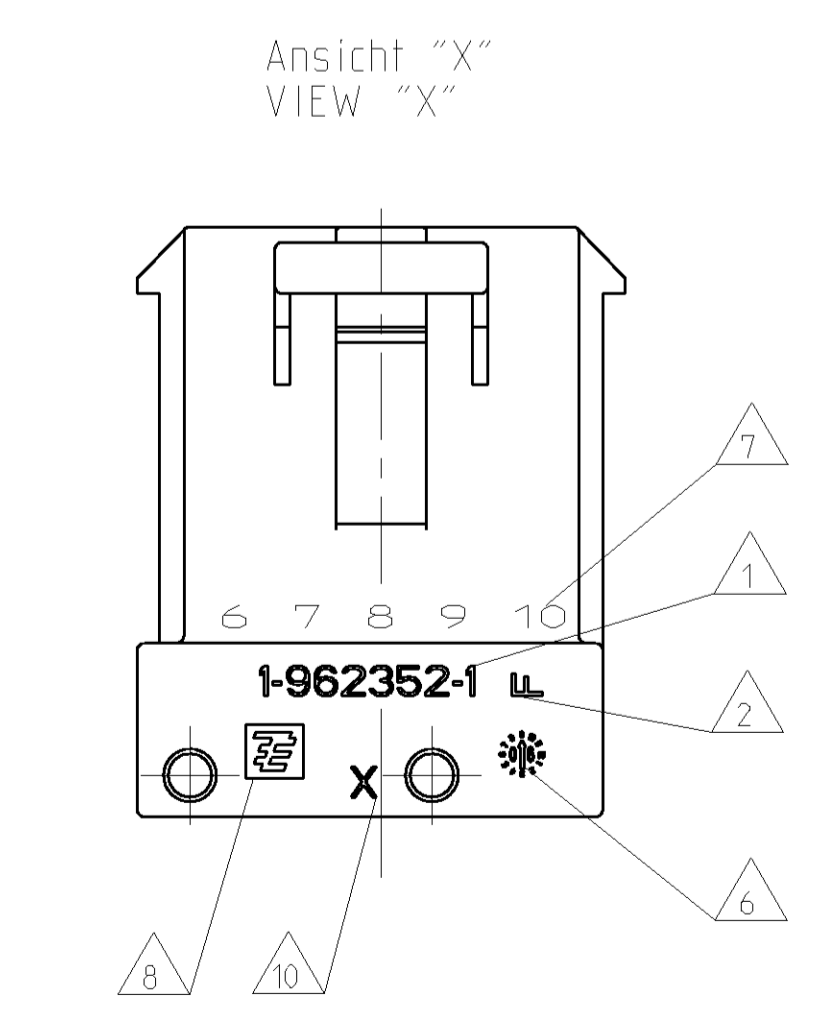
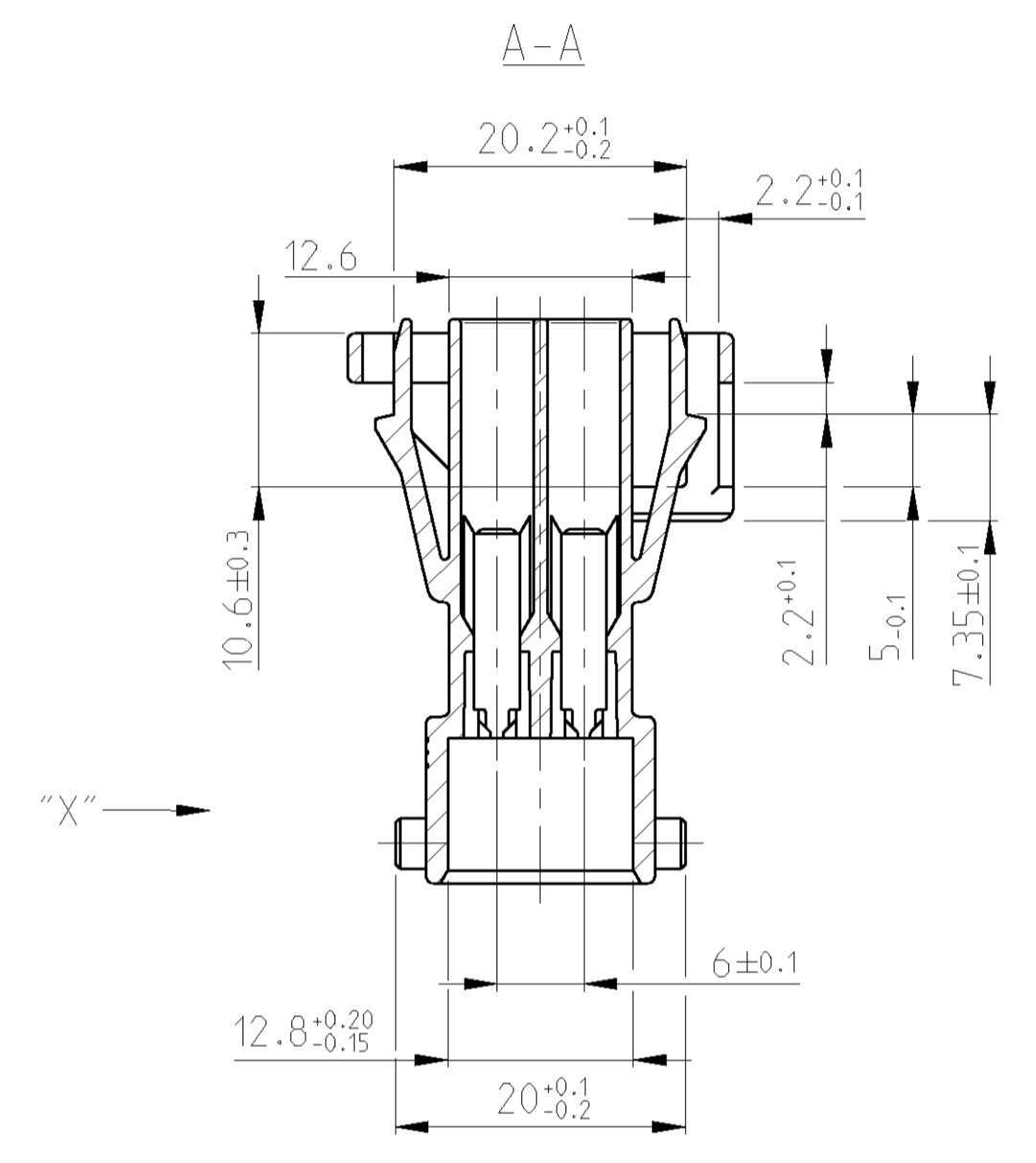
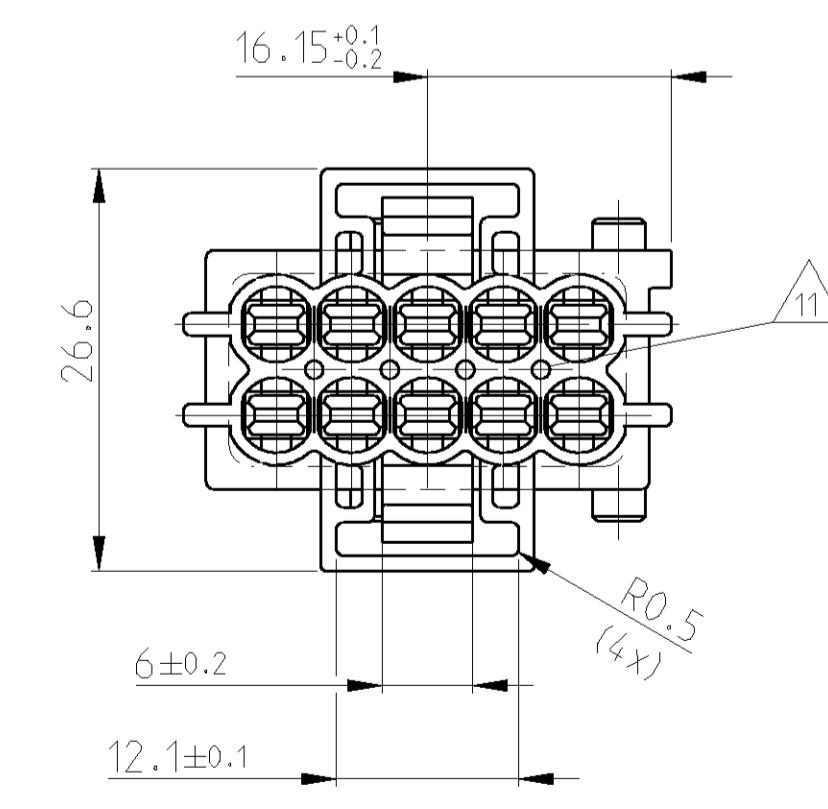
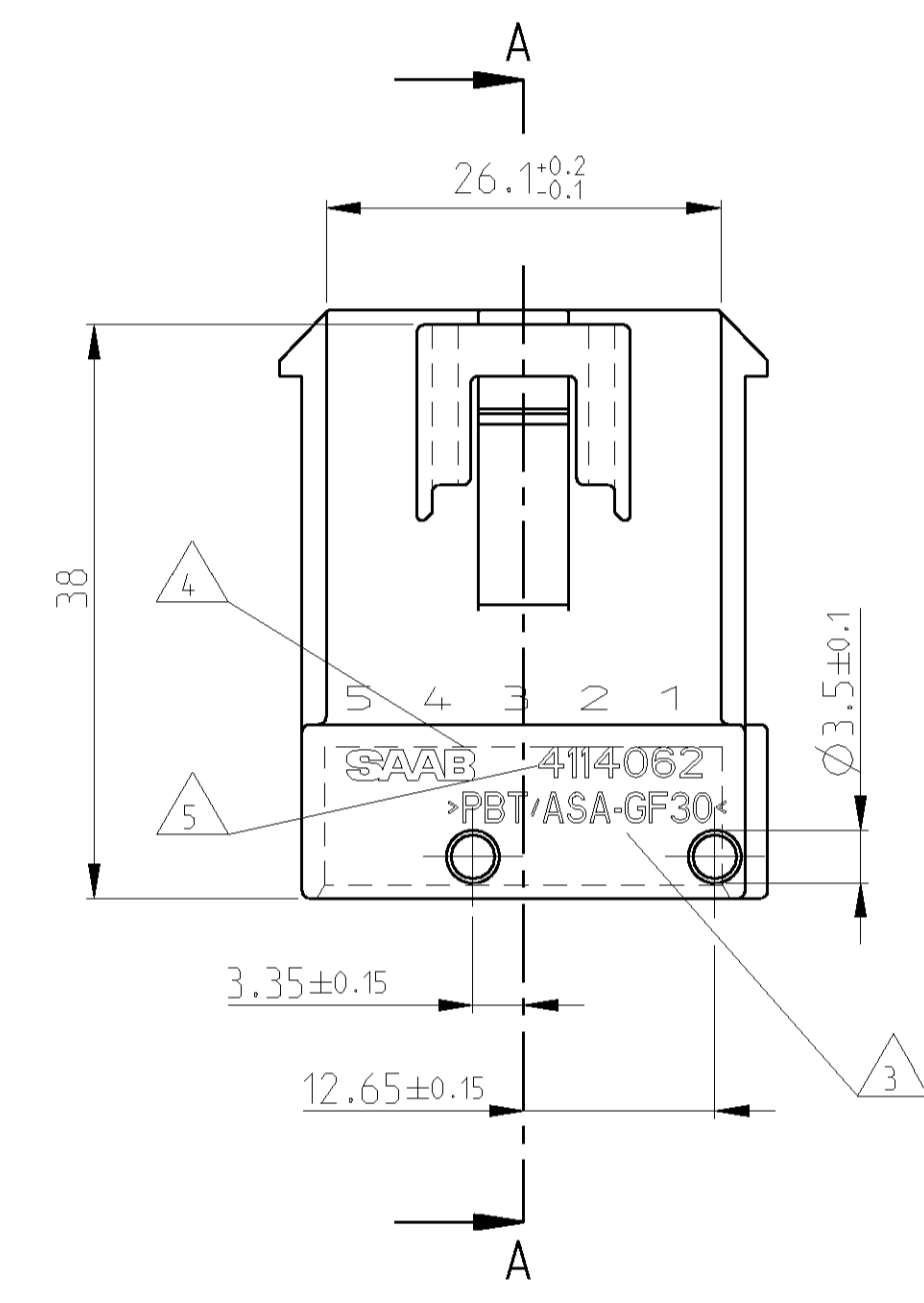
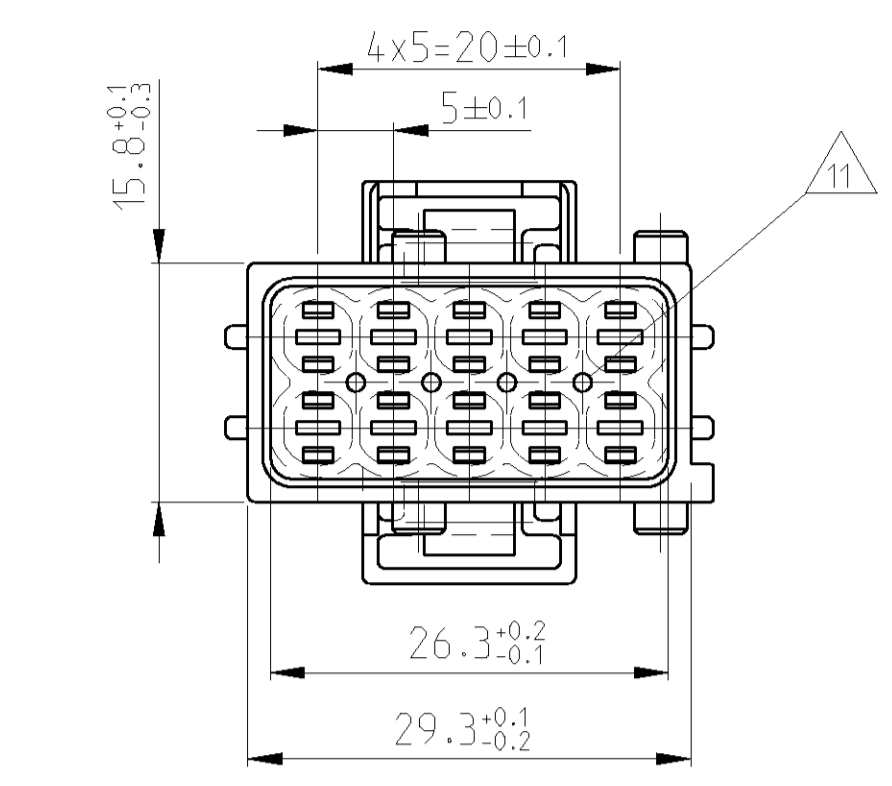
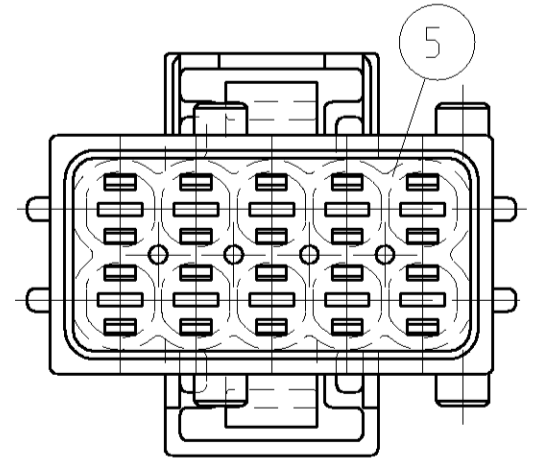
CODING D1



MOUNTING OPENING



CODING N



- NOTES
 BEMERKUNGEN
- NV NOTE NOT VALID
 Bemerkung nicht verwendet
 - 1 ORDER NUMBER
 BESTELL-NUMMER
 - 2 REVISION NUMBER
 WERKZEUGÄNDERUNGS INDEX
 - 3 MATERIAL MARKING
 WERKSTOFFKENNZEICHNUNG
 - 4 SAAB LOGO
 - 5 SAAB PART-NO.
 SAAB-TEILENUMMER
 - 6 PRODUCTION DATE
 PRODUKTIONS DATUM
 - 7 CONTACT CAVITY NUMBER
 KONTAKTKAMMERNUMMER
 - 8 TE- LOGO
 - 9 PACKAGING: BULK MATERIAL IN CARDBOARD BOX
 VERPACKUNG: SCHÜTTGUT IN KARTON
 - 10 TOOL CAVITY MARKING
 NESTMARKIERUNG
 - 11 OPTIONAL SUIT OF CORES FOR MATERIAL RECESS
 Mögliche Materialentnahme

1-962352-1 shown

CUSTOMER PART NO	TE PART NO	REV.	CODING	MATERIAL	SURFACE COLOR	DESCRIPTION	ITEM NO
4114054	5-962352-1	F	CODING N	PBT/ASA-GF-30	WHITE	2.8MM TAB HOUSING, 10 POS.	5
4114096	4-962352-1	F	CODING D1	PBT/ASA-GF-30	BROWN	2.8MM TAB HOUSING, 10 POS.	4
4114088	3-962352-1	F	CODING C1	PBT/ASA-GF-30	BLUE	2.8MM TAB HOUSING, 10 POS.	3
4114070	2-962352-1	F	CODING B1	PBT/ASA-GF-30	GREY	2.8MM TAB HOUSING, 10 POS.	2
4114062	1-962352-1	F	CODING A1	PBT/ASA-GF-30	BLACK	2.8MM TAB HOUSING, 10 POS.	1

DIMENSIONS:		TOLERANCES UNLESS OTHERWISE SPECIFIED:		DWN		24OCT2007		Tyco Electronics Tyco Electronics AMP GmbH 64625 Bensheim (Germany)	
mm		0 PLC ±0.3 1 PLC ±0.3 2 PLC ±0.3 3 PLC ±0.3 4 PLC ±0.3 ANGLES ±		Cdr		25OCT2007		NAME	
MATERIAL		FINISH		PRODUCT SPEC		108-18102		2.8MM TAB HOUSING, 10 POS.	
-		-		APPLICATION SPEC		114-18175		SIZE CAGE CODE DRAWING NO	
-		-		WEIGHT		8.7g		RESTRICTED TO	
-		-		CUSTOMER DRAWING		A100779 C-962352		SCALE 2:1 SHEET 1 OF 1 REV F	

Mouser Electronics

Authorized Distributor

Click to View Pricing, Inventory, Delivery & Lifecycle Information:

[TE Connectivity:](#)

[1-962352-1](#)