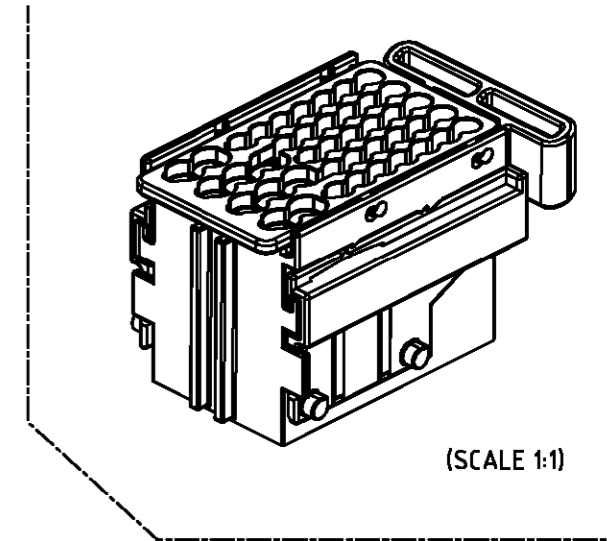
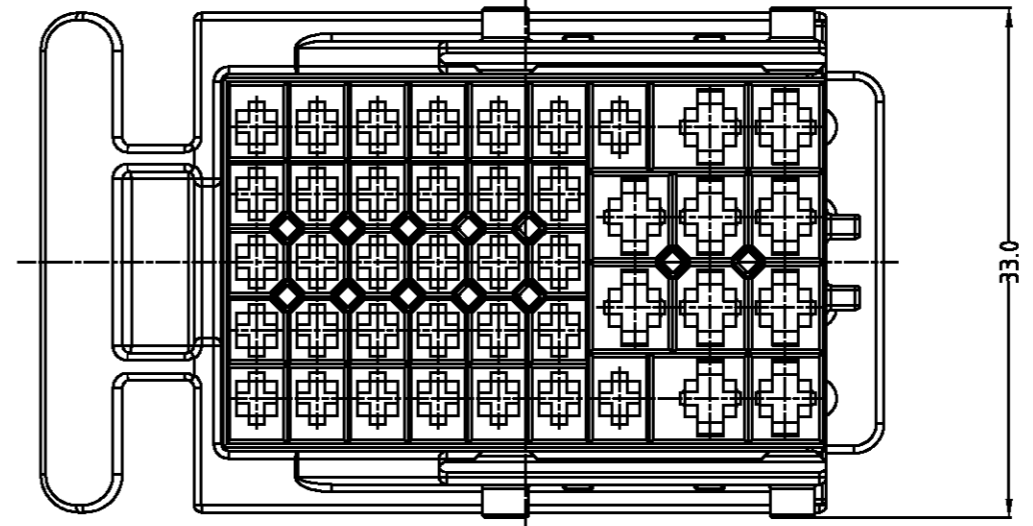
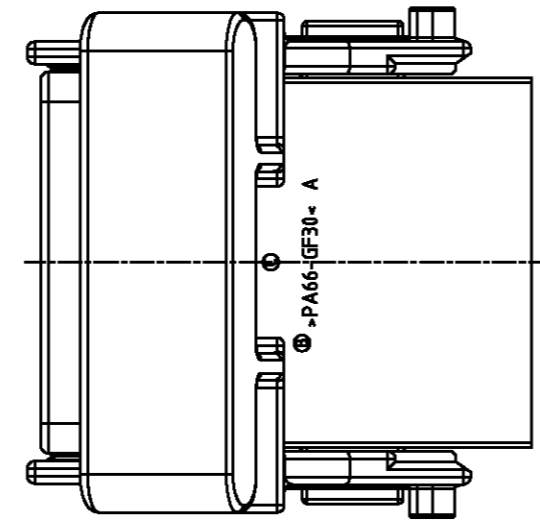
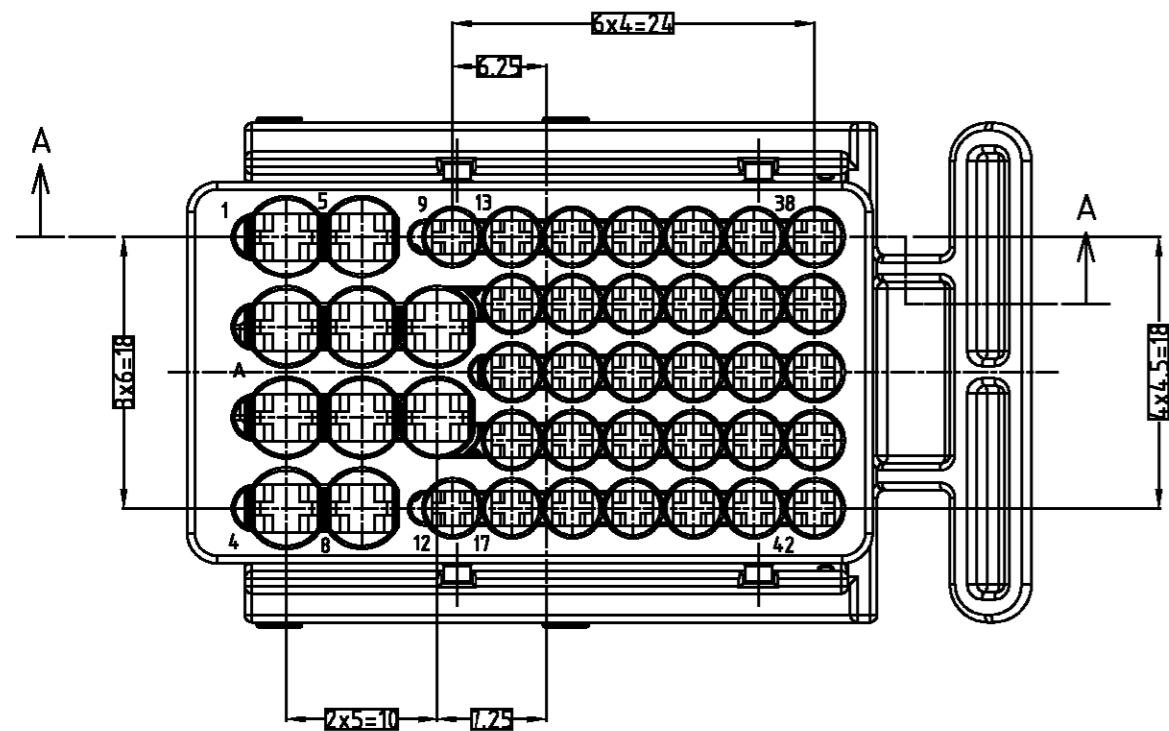


THIS DRAWING IS UNPUBLISHED. RELEASED FOR PUBLICATION
 COPYRIGHT BY TYCO ELECTRONICS CORPORATION. ALL RIGHTS RESERVED.

LOC		DIST		REVISIONS				
P	LTR	DESCRIPTION	DATE	DWN	APVD			
0		RELEASED(FC00-0113-03)	22/AUG/03	MS	CS			
A		REVISED(FC00-0027-04)	13/FEB/04	MS	CS			
B		REVISED(FC00-0189-04)	10/AUG/04	YD.	CS			
C		REVISED(FC00-0044-05)	14/FEB/05	SB	CS			



- NOTES:
1. GENERAL TOLERANCE IS ± 0.3
 2. CONDITION OF DELIVERY :
DBL IN 1ST. LOCKING POSITION
SLIDE LEVER IN 2ND. LOCKING POSITION
 3. APPLIED CAP ASS'Y P/N: 0-936429-2,-4, 1-936429-2, 2-936429-3
APPLIED INNER SEAL P/N: 0-936863-1
APPLIED WIRE COVER P/N: 0-936615-2
 4. APPLIED RECEPTACLE CONTACT P/N : TABLE 1

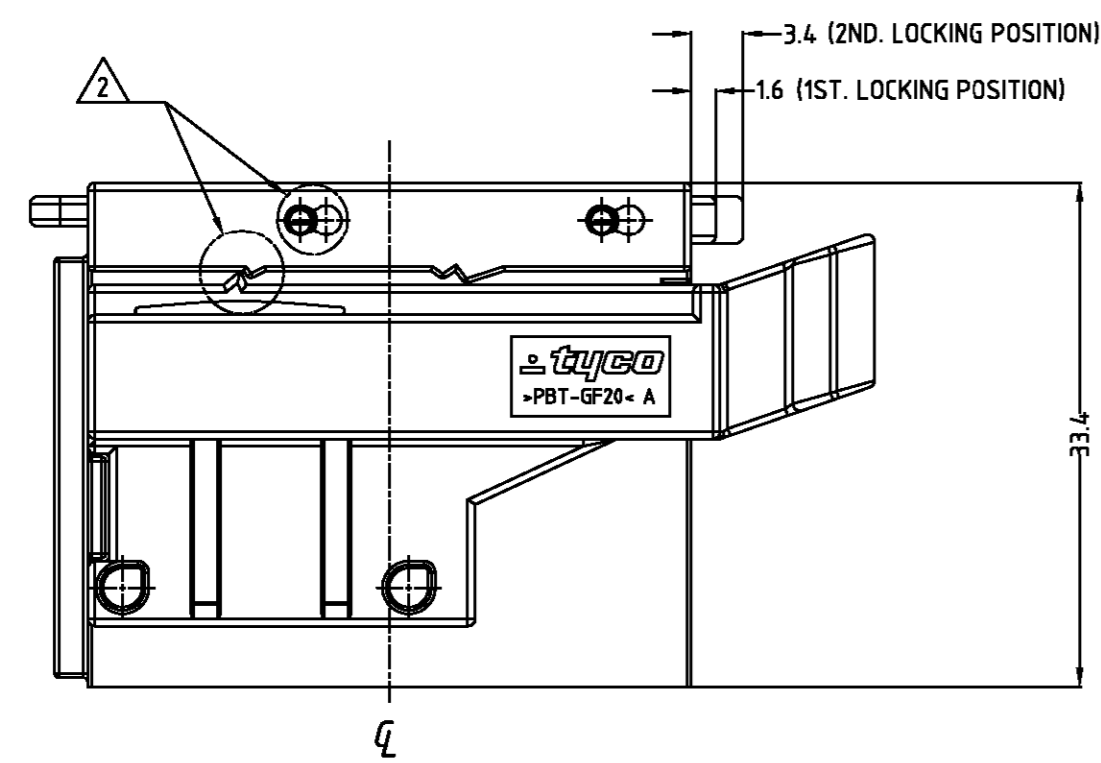
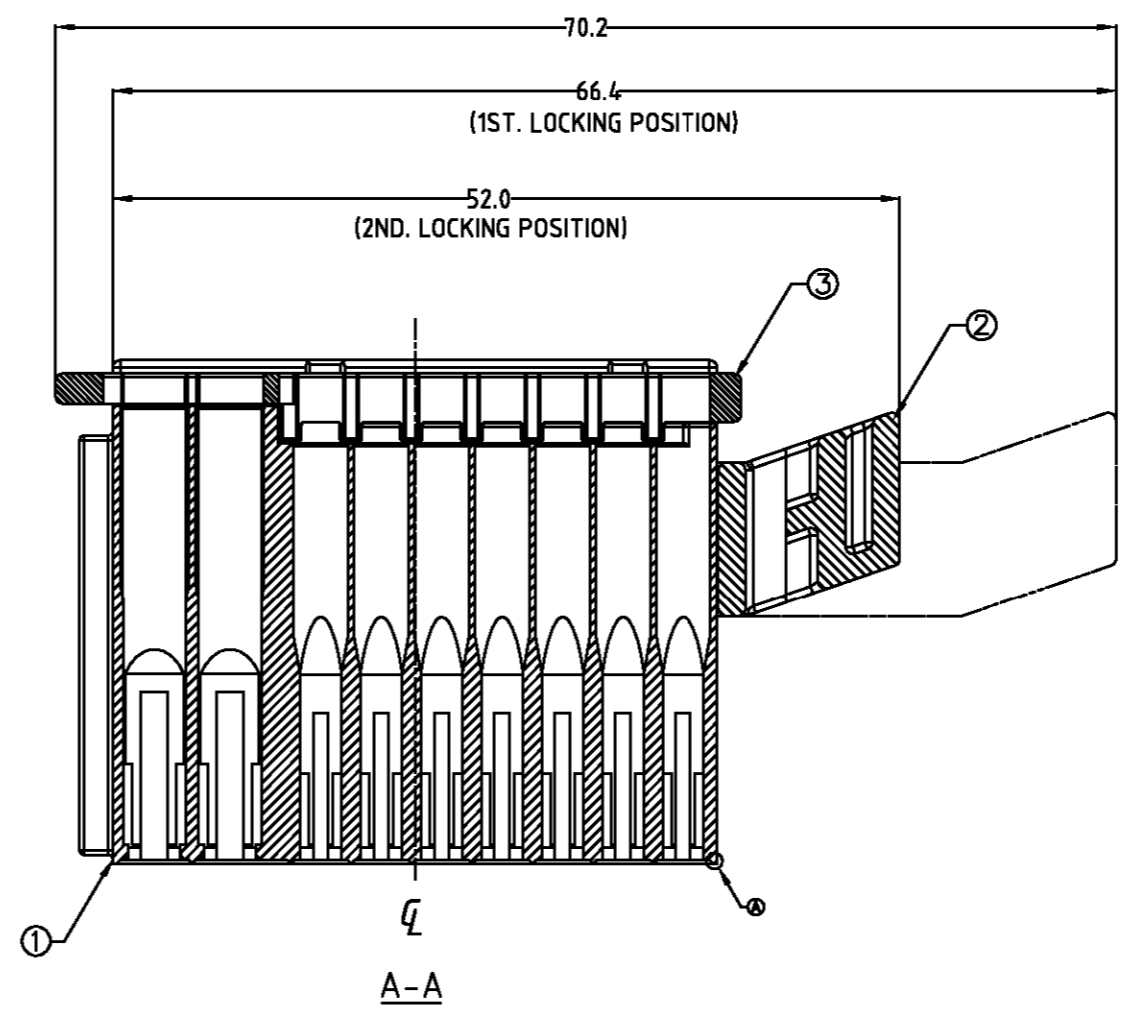


TABLE 1-

TYPE	Part NO.	WIRE SIZE(mm ²)	FINISH
MT II	0-962875-1	0.25-0.5	CuSn4
	0-962875-3		CuSn4(GOLD)
	0-962876-1	0.5-1.0	CuSn4
	0-962876-3		CuSn4(GOLD)
JPT	0-927770-3	0.5-0.85	CuSn4
	2-927770-1		CuSn4(GOLD)
	0-927766-3	1.25-2.0	CuSn4
	2-927766-1		CuSn4(GOLD)

					ASSEMBLY PART NO.		
					0-936421-4	0-936421-3	0-936421-2
③	0-936428-5	DBL HSG	PBT GF30	YELLOW	1	1	1
②	0-936423-4	SLIDE HSG	PBT GF20	BROWN	1	-	-
②	0-936423-3	SLIDE HSG	PBT GF20	DARK GRAY	-	1	-
②	0-936423-2	SLIDE HSG	PBT GF20	BLACK	-	-	1
①	0-936422-4	PLUG HSG	PA66 GF30	BROWN	1	-	-
①	0-936422-3	PLUG HSG	PA66 GF30	DARK GRAY	-	1	-
①	0-936422-2	PLUG HSG	PA66 GF30	BLACK	-	-	1
NO	P/N	DESCRIPTION	MATERIAL	COLOR	Q'TY		

THIS DRAWING IS A CONTROLLED DOCUMENT FOR TYCO ELECTRONICS CORPORATION. IT IS SUBJECT TO CHANGE AND THE CONTROLLING ENGINEERING ORGANIZATION SHOULD BE CONTACTED FOR THE LATEST REVISION.

DIMENSIONS: mm

TOLERANCES UNLESS OTHERWISE SPECIFIED:
 0-XX-10 ± 0.2
 10-XX-30 ± 0.25
 30-XX ± 0.3
 ANGLES $\pm 3^\circ$

3rd ANGLE PROJECTION

MATERIAL SEE TABLE

FINISH

WEIGHT

DWN : SB LEE
 CHK : BN JANG
 APVD : CS LEE

PRODUCT SPEC
 APPLICATION SPEC

tyco Electronics

AMP KOREA.
 kyungsan, korea

NAME
 PLUG ASSEMBLY FOR MTII/JPT HYBRID
 SEALED 42P CONN'R

SIZE A2 CAGE CODE 00779 DRAWING NO 936421 RESTRICTED TO

SCALE 2/1 SHEET 1 OF 1 REV C

Mouser Electronics

Authorized Distributor

Click to View Pricing, Inventory, Delivery & Lifecycle Information:

[TE Connectivity:](#)

[936421-2](#)