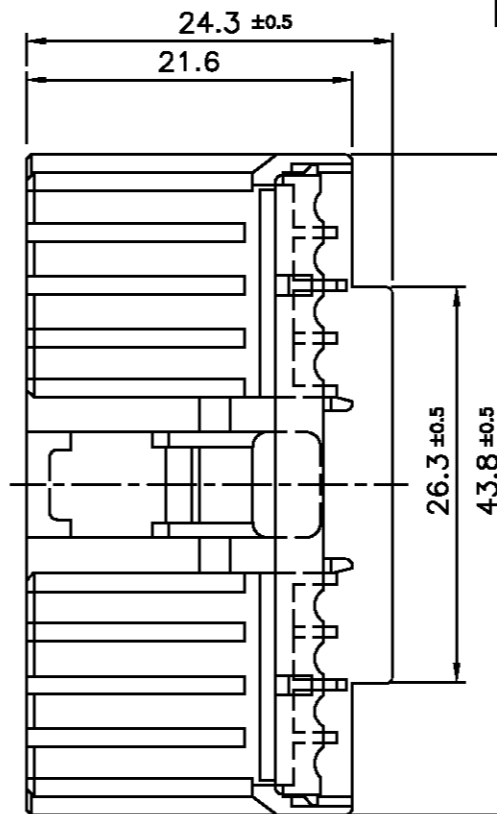
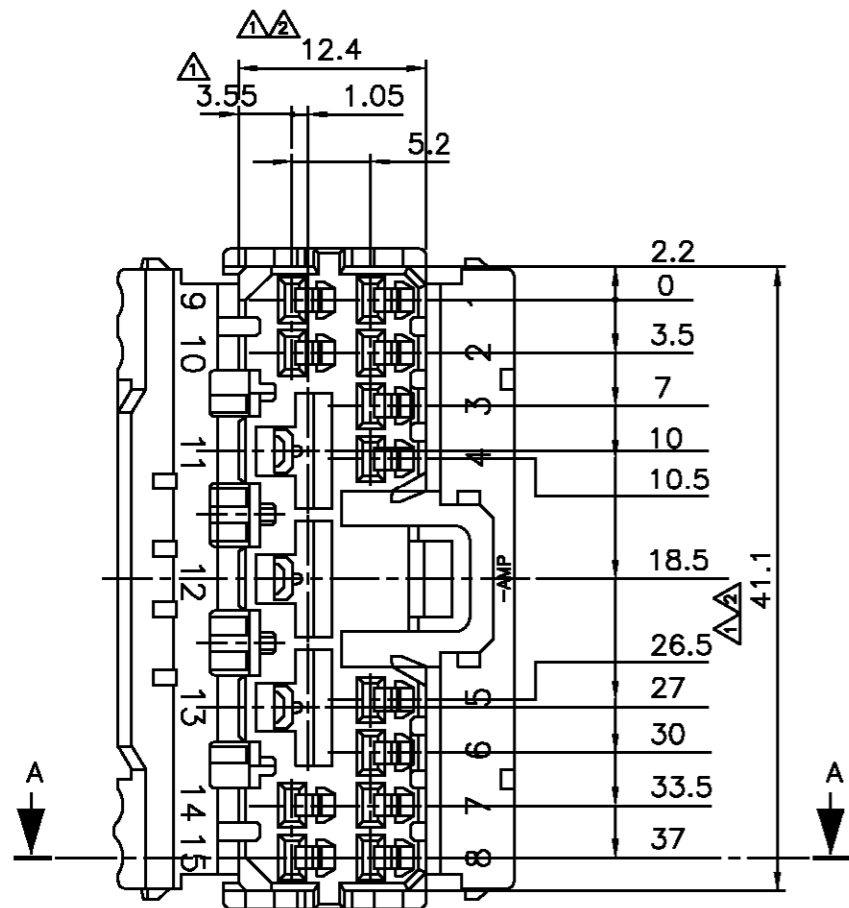


P	LTR	DESCRIPTION	DATE	DWN	APVD
	0	RELEASED	6/22/'95	JW	BM
	A	REVISED(FC00-0058-98)	13/AUG/'98	HS	CS
	B	REVISED(FC00-0063-03)	09/MAY/'03	YD	CS

D

D

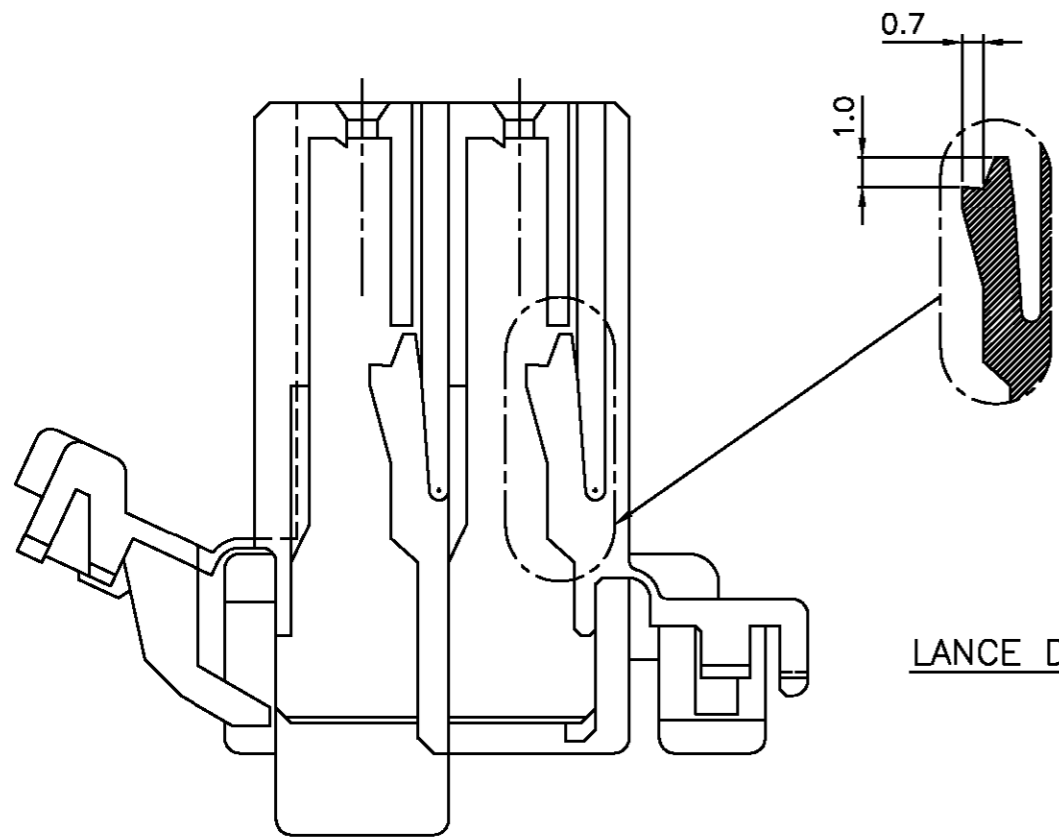


NOTE:

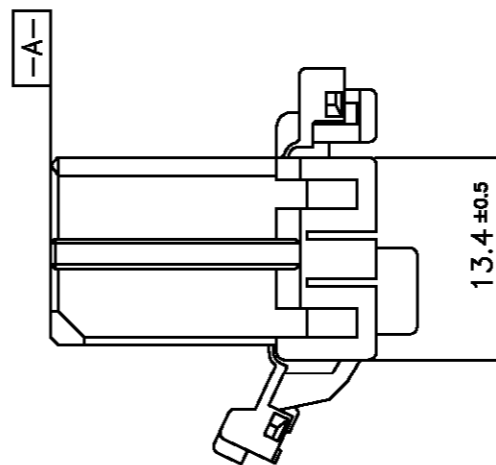
- ▲ TO BE MEASURED BETWEEN -A- AND 2
- △ TO BE MATE WITH TAP HSG SMOOTHLY
- 3 APPLIED RECEPTACLE CONTACT PART NUMBERS  
.070 SERIES, 173630, 173631  
.250 SERIES, 170032, 170258, 170384
- 4 APPLIED CAP HSG P/N : 85114
- ⓐ △ THESE ARE FOR LOCAL CUSTOMER WITH POLY BAG/MID BOX/OUT BOX.
- ⓑ △ THIS IS FOR EXPORT WITH TRAY/OUT BOX.

C

C



LANCE DETAL



P/N	MATERIAL	COLOR	PACKING
1-85113-2	P.B.T	BLACK	ⓑ ▲
85113-5	P.B.T	BLUE	▲
85113-4	P.B.T	GREEN	▲
85113-2	P.B.T	BLACK	▲ ⓐ
85113-1	P.B.T	WHITE	▲

B

B

A

A

SECTION A-A

THIS DRAWING IS A CONTROLLED DOCUMENT FOR AMP INCORPORATED. IT IS SUBJECT TO CHANGE AND THE CONTROLLING ENGINEERING ORGANIZATION SHOULD BE CONTACTED FOR THE LATEST REVISION.		DWN YD. LEE	<b>AMP</b> AMP KOREA. kyungsan, korea
DIMENSIONS: MM		CHK BM JANG	
TOLERANCES UNLESS OTHERWISE SPECIFIED: 0<XX<10 ±0.2 10<XX<30 ±0.25 30<XX ±0.3 ANGLES ±3°		APVD CS LEE	NAME .070/.250 HYBRID 15P PLUG HSG
3rd ANGLE PROJECTION		PRODUCT SPEC	SIZE A3
MATERIAL SEE TABLE		APPLICATION SPEC	CAGE CODE 00779
FINISH		WEIGHT	DRAWING NO 8 5 1 1 3
			SCALE 2/1 SHEET 1 OF 1 REV B

# Mouser Electronics

Authorized Distributor

Click to View Pricing, Inventory, Delivery & Lifecycle Information:

[TE Connectivity:](#)

[85113-1](#)