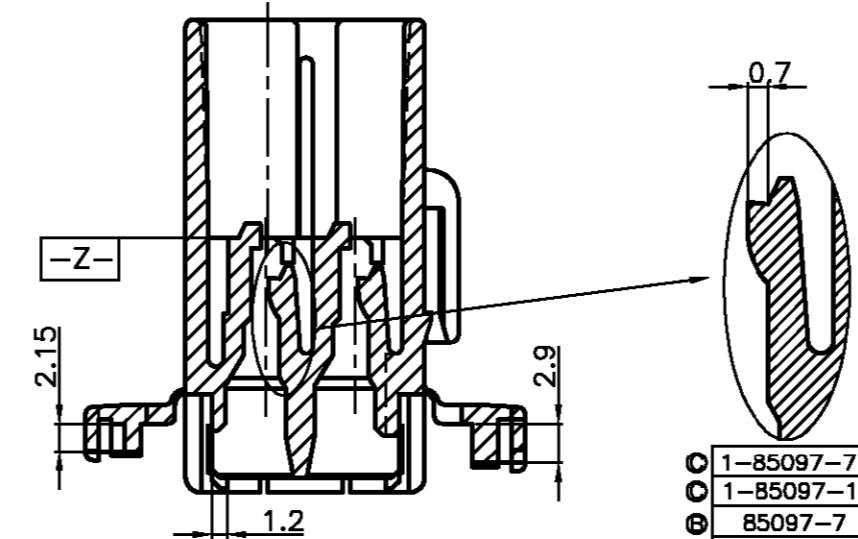
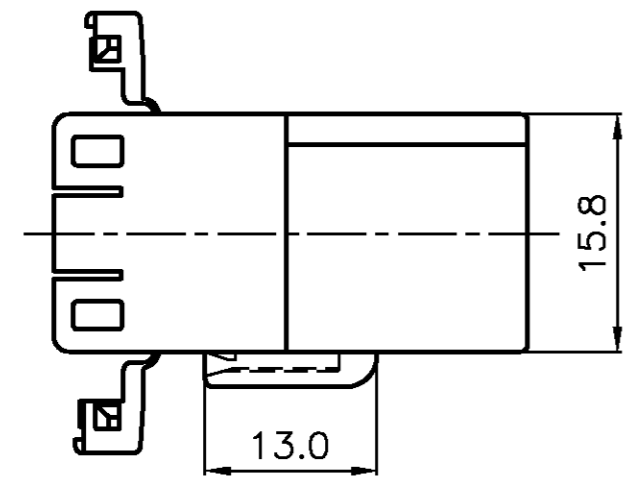
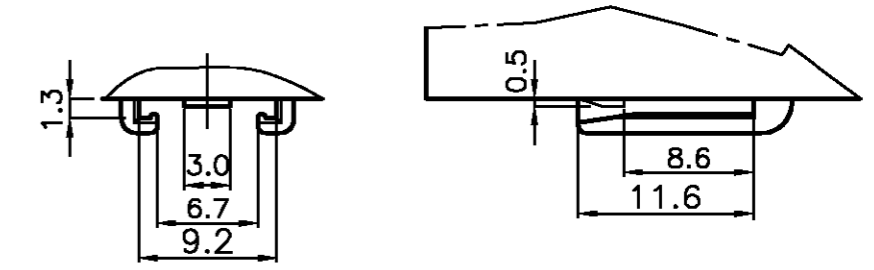
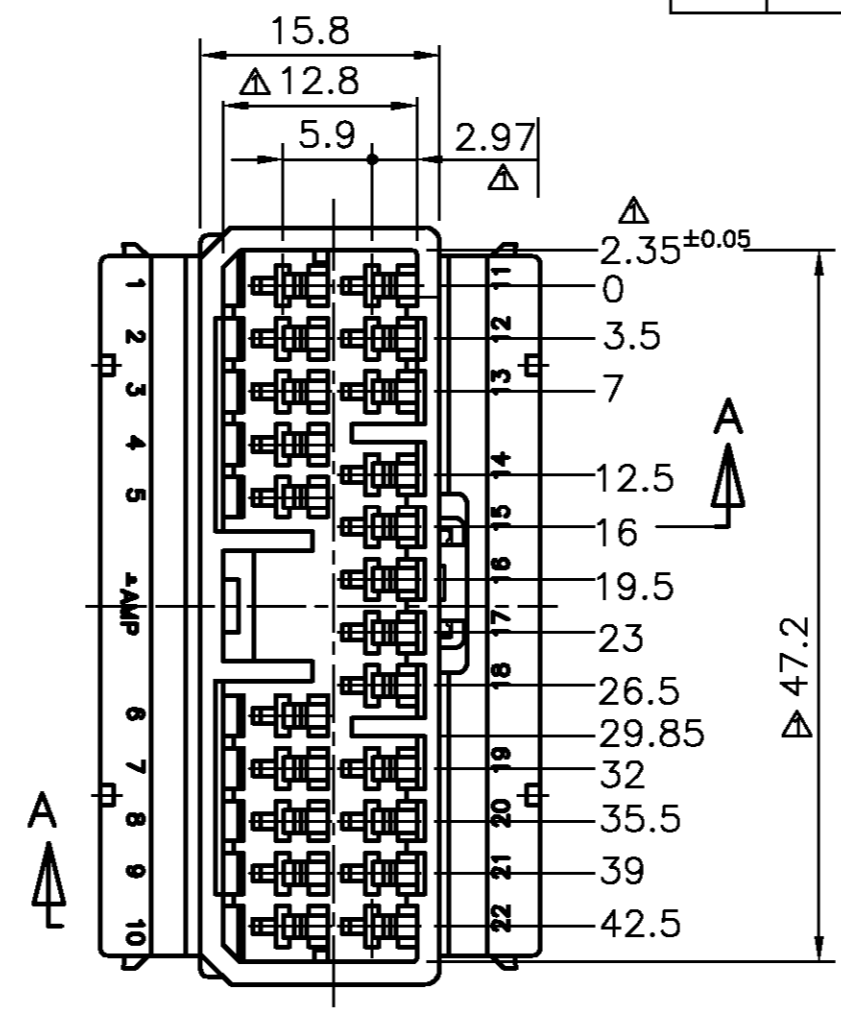
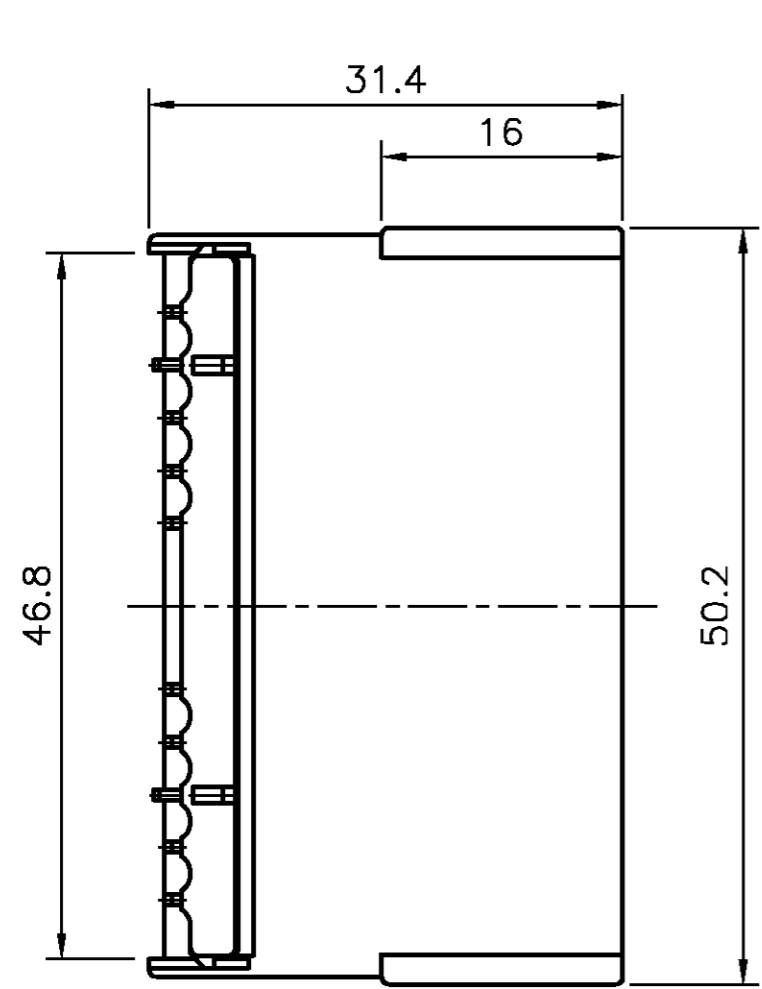


LOC	DIST	REVISIONS					
DS		P	LTR	DESCRIPTION	DATE	DWN	APVD
			O	RELEASED(RD96-366)	23/NOV/'96	YJ	JK
			A	REVISED(FC00-0070-01)	23/JUN/'01	MS	CS
			B	REVISED(FC00-0028-03)	21/MAR/'03	MS	CS
			C	REVISED(ECR-05-006109)	22/AUG/'05	IS	JK



- NOTE**
- △ TO BE MEASURED BETWEEN $-Z-$ AND 2.
 - TO BE MATED WITH PLUG HSG SMOOTHLY.
 - APPLIED CONTACT P/N : 173633 & 173645.
 - APPLIED PLUG HSG P/N : 85096
 - CURRENT RATING: 10A MAX

P/N	MATERIAL	COLOR	PACKING
1-85097-7	P.B.T	YELLOW	FOR EXPORT-TRAY(50EA)/OUT BOX(400EA)
1-85097-1	P.B.T	WHITE	FOR EXPORT-TRAY(50EA)/OUT BOX(400EA)
85097-7	P.B.T	YELLOW	FOR LOCAL-POLY BAG(50EA)/INNER BOX(50EA)/OUT BOX(200EA)
85097-1	P.B.T	WHITE	FOR LOCAL-POLY BAG(50EA)/INNER BOX(50EA)/OUT BOX(200EA)

DIMENSIONS: mm TOLERANCES UNLESS OTHERWISE SPECIFIED: 0 <XX<10 ± 0.2 10 <XX<30 ± 0.25 30 <XX ± 0.3 ANGLES ± 3°		DWN IS SHIN CHIK BM JANG APVD: JK SONG PRODUCT SPEC APPLICATION SPEC WEIGHT		tyco Electronics AMP KOREA. kyungsan, korea	
3rd ANGLE PROJECTION MATERIAL SEE TABLE FINISH		NAME .070 MLC 22P CAP HSG.		SIZE: A3 CAGE CODE: 00779 DRAWING NO: 85097 RESTRICTED TO:	
				SCALE 2/1 SHEET 1 OF 1 REV C	

Mouser Electronics

Authorized Distributor

Click to View Pricing, Inventory, Delivery & Lifecycle Information:

[TE Connectivity:](#)

[85097-1](#)