

4

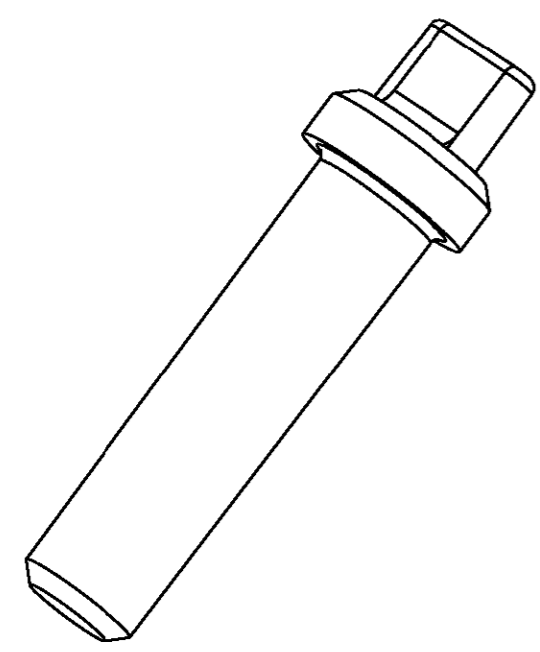
3

2

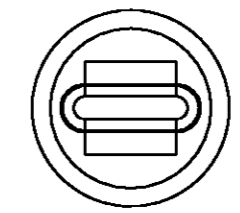
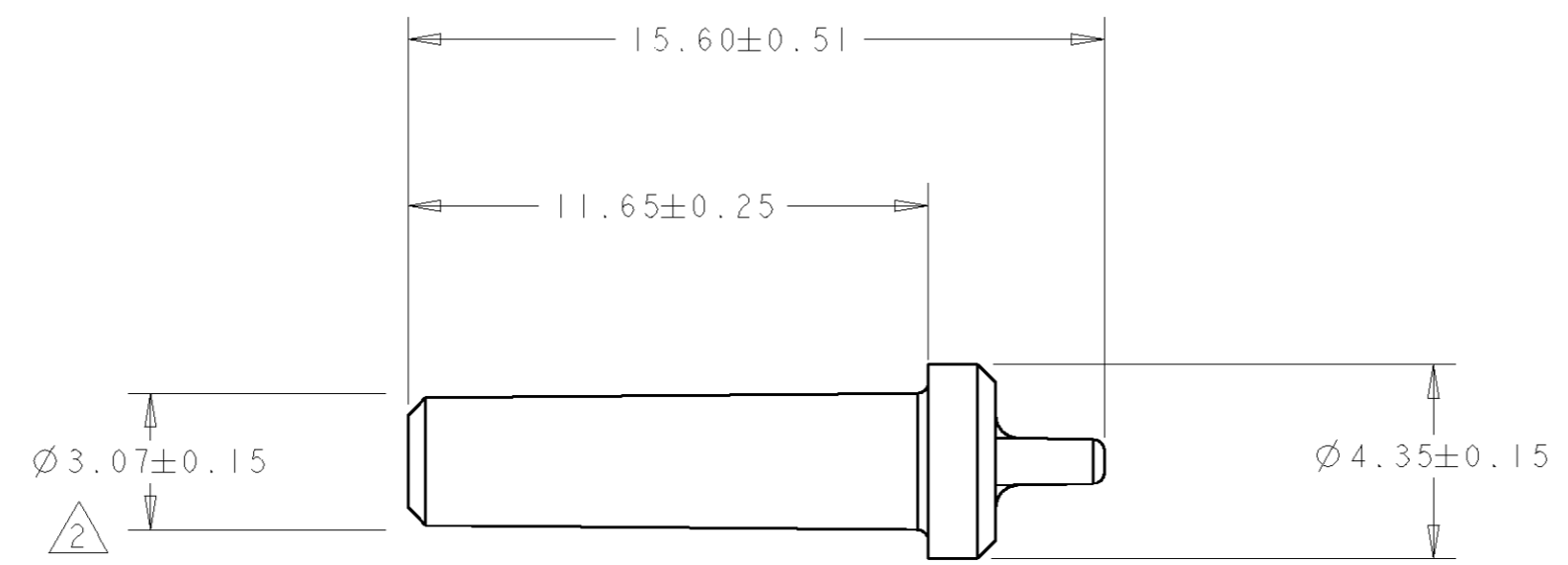
1

THIS DRAWING IS UNPUBLISHED. RELEASED FOR PUBLICATION .19 .
 © COPYRIGHT 19 BY AMP INCORPORATED. ALL RIGHTS RESERVED.

LOC	DIST	REVISIONS			
P	LTR	DESCRIPTION	DATE	DWN	APVD
GE	00	0	RELEASED PER NPR 00-50	30AUG2000	RG GM



1 MATERIAL: PBT COLOR: YELLOW
 2 THIS DIAMETER IS A SEALING SURFACE AND THE FOLLOWING SURFACE DEFECTS ARE NOT ACCEPTABLE: TOOL LINES, WITNESS LINES, WELD LINES, HAIR LINE CRACKS, STAINS, AND SCORES.



PART NUMBER
776363-1

<small>THIS DRAWING IS A CONTROLLED DOCUMENT FOR AMP INCORPORATED. IT IS SUBJECT TO CHANGE AND THE CONTROLLING ENGINEERING ORGANIZATION SHOULD BE CONTACTED FOR THE LATEST REVISION.</small>		DWN R. GREINER 15AUG2000 CHK R. GREINER 15AUG2000 APVD G. MARPOF 15AUG2000	AMP Tyco Electronics Harrisburg, PA 17105-3608
DIMENSIONS: mm	TOLERANCES UNLESS OTHERWISE SPECIFIED: 0 PLC ±- 1 PLC ±0.3 2 PLC ±0.13 3 PLC ±- 4 PLC ±- ANGLES ±2	PRODUCT SPEC - APPLICATION SPEC - WEIGHT -	NAME SEALING PLUG SIZE 16 CAVITY
MATERIAL - FINISH -		CUSTOMER DRAWING	SIZE A3 CAGE CODE 00779 DRAWING NO. C-776363 SCALE 6:1 SHEET 1 OF 1 REV 0

Mouser Electronics

Authorized Distributor

Click to View Pricing, Inventory, Delivery & Lifecycle Information:

[TE Connectivity:](#)

[776363-1](#)