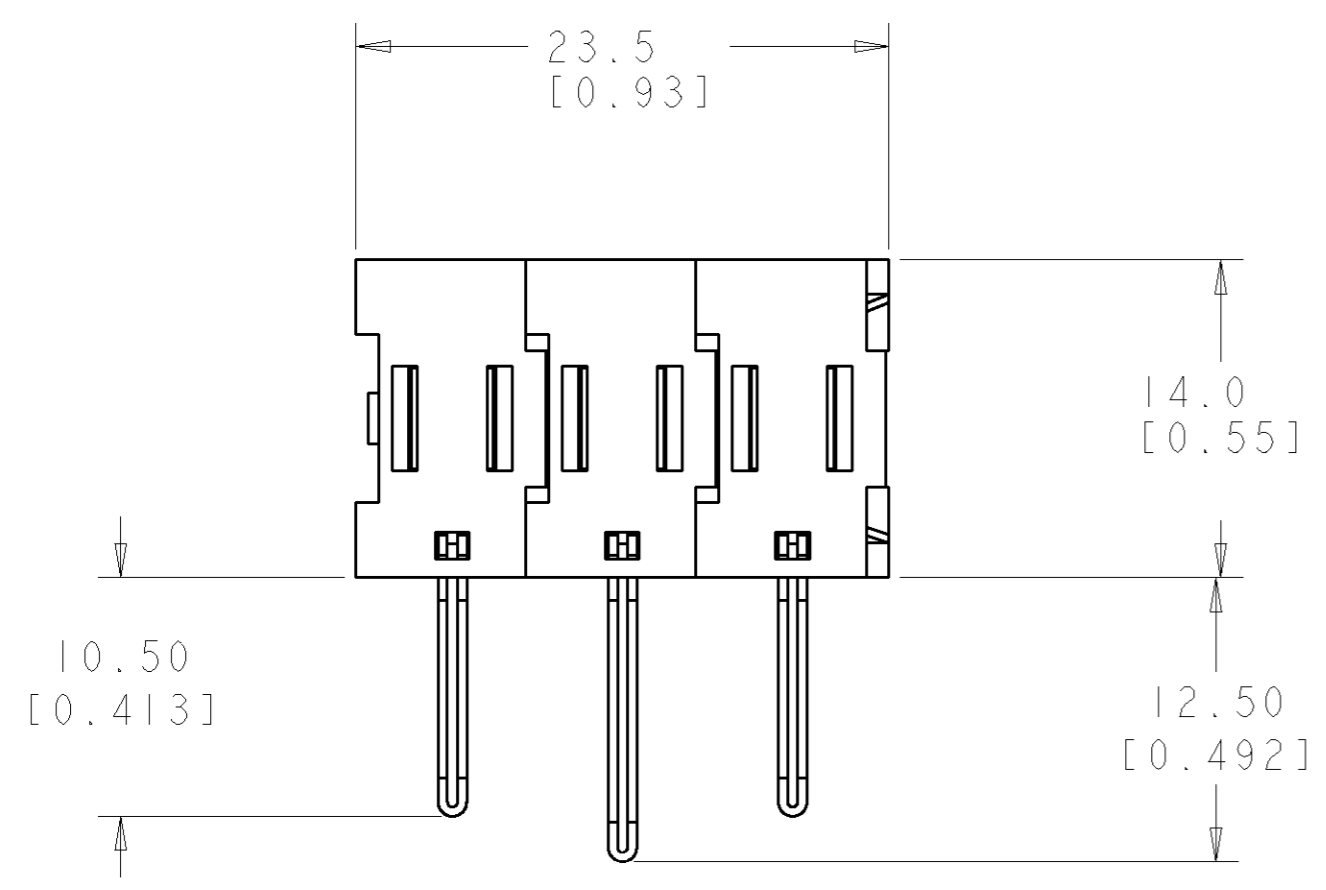


THIS DRAWING IS UNPUBLISHED. RELEASED FOR PUBLICATION
 BY TYCO ELECTRONICS CORPORATION. ALL RIGHTS RESERVED.

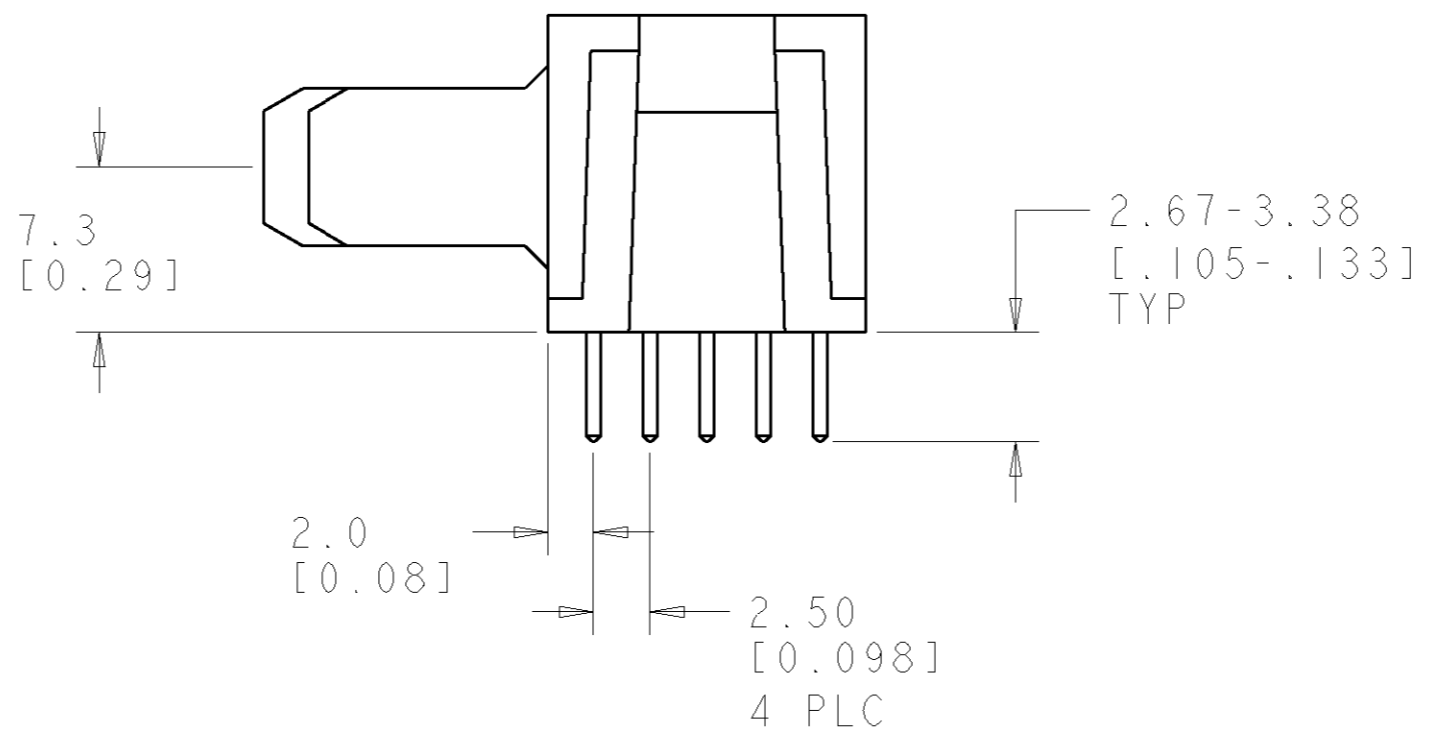
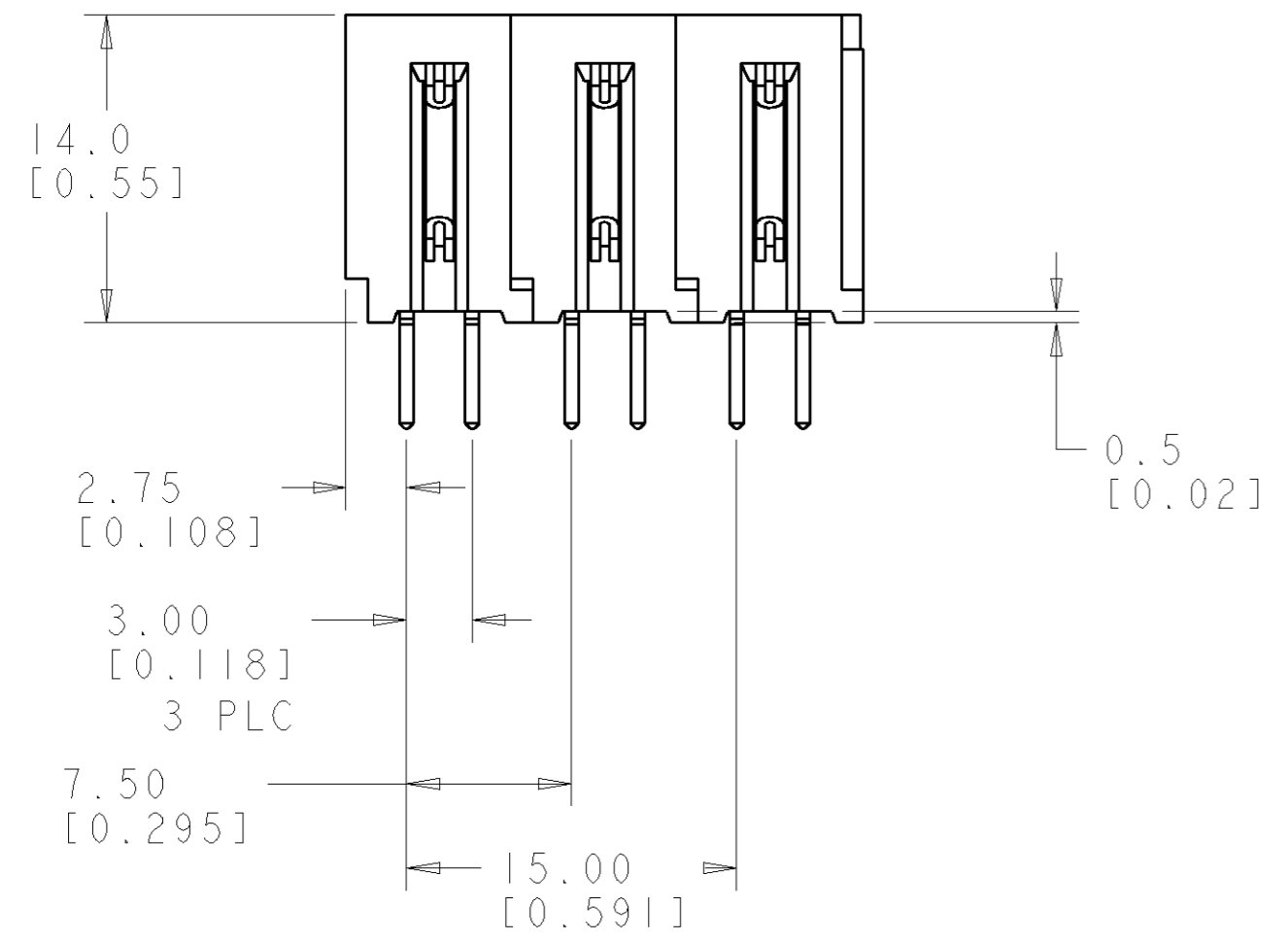
LOC	DIST	REVISIONS			
P	LTR	DESCRIPTION	DATE	DWN	APVD
GP	00	A	RELEASED	02AUG06	RG DO



- PART NUMBER CHANGES AND OR DESIGN CHANGES AFFECTING ITEM INTERCHANGEABILITY REQUIRE PRIOR TYCO APPROVAL AND AUTHORIZATION BY REVISION TO THIS DRAWING.
- MATERIAL:
 INSULATORS - THERMOPLASTIC, GLASS REINFORCED, COLOR: BLACK
 UL94V-0 FLAMMABILITY RATED.
 POWER CONTACTS - PHOSPHOR BRONZE ALLOY, COPPER ALLOY
 CROWN BAND: BERYLLIUM COPPER
- FINISH:
 CONTACTS - GOLD PLATE .000030 INCH MIN. THK. OVER NICKEL
 .000050 INCH MIN. THK.
 SOLDER TAILS TIN .000120 INCH MIN. THK. OVER NICKEL .000050 MIN THK.
- ITEMS PROVIDED TO THIS SPECIFICATION TO BE IDENTIFIED ON THE CONTAINER PER THE FOLLOWING IDENTIFIER LABEL

YEAR WEEK
 TYCO PART NO. DATE CODE (e.g. 0106)
 XXXXXXXX-X XXXX

5. THIS CONNECTOR MATES WITH SOCKET CONNECTOR P/N 6651994-1



AS SHOWN	6651993-1
DESCRIPTION	PART NUMBER

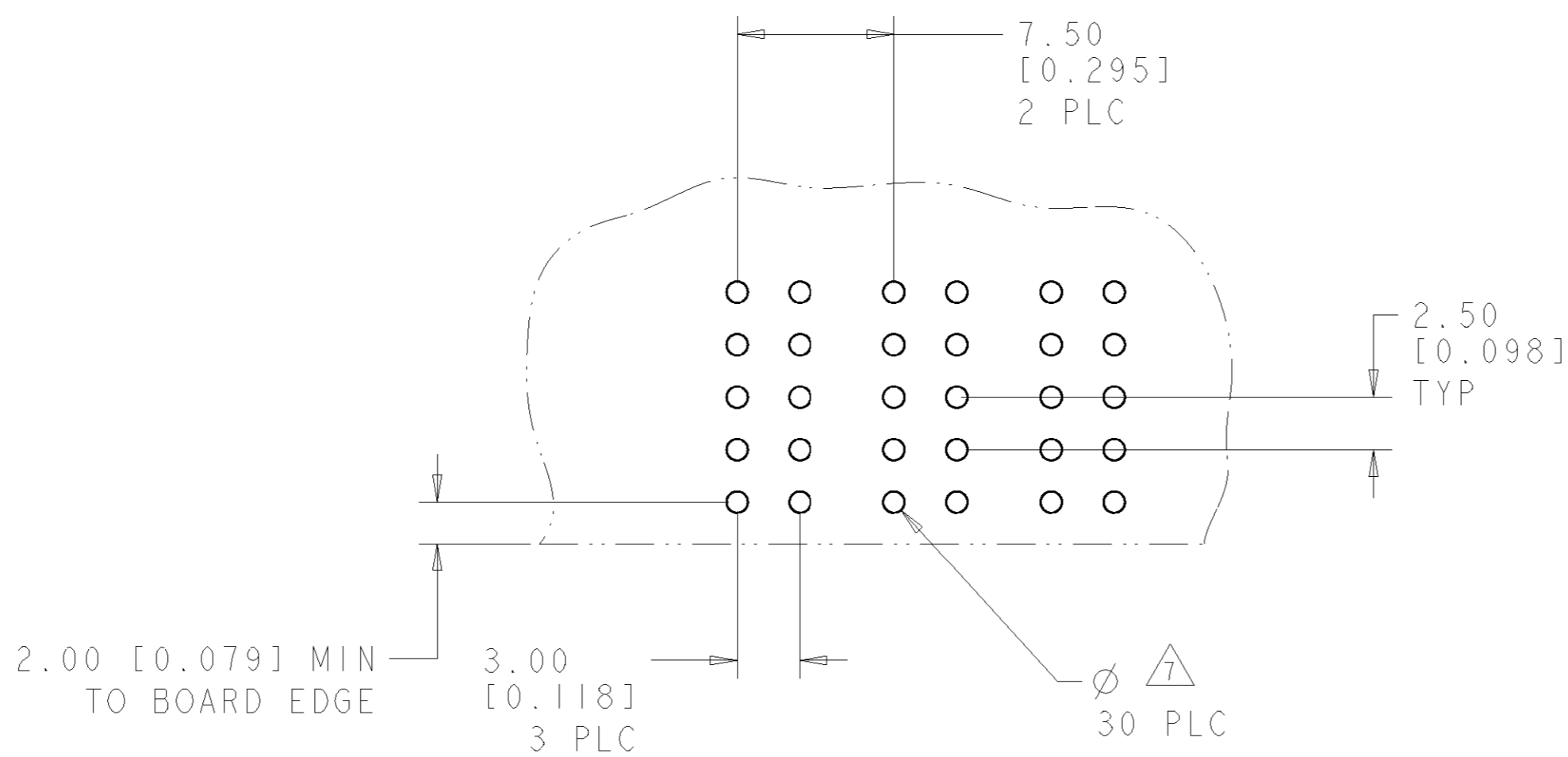
THIS DRAWING IS A CONTROLLED DOCUMENT FOR TYCO ELECTRONICS CORPORATION IT IS SUBJECT TO CHANGE AND THE CONTROLLING ENGINEERING ORGANIZATION SHOULD BE CONTACTED FOR THE LATEST REVISION.		DWN R. GRZYBOWSKI 02AUG06	<table border="1"> <tr> <td>SIZE</td> <td>CAGE CODE</td> <td>DRAWING NO</td> <td>RESTRICTED TO</td> </tr> <tr> <td>A2</td> <td>00779</td> <td>C-6651993</td> <td>-</td> </tr> </table>	SIZE	CAGE CODE	DRAWING NO	RESTRICTED TO	A2	00779	C-6651993	-												
SIZE	CAGE CODE	DRAWING NO		RESTRICTED TO																			
A2	00779	C-6651993		-																			
DIMENSIONS: mm [INCHES]		CHK D. ORRIS 02AUG06																					
TOLERANCES UNLESS OTHERWISE SPECIFIED:		APVD D. ORRIS 02AUG06																					
<table border="1"> <tr> <td>0 PLC</td> <td>±.5</td> <td>[.020]</td> </tr> <tr> <td>1 PLC</td> <td>±.25</td> <td>[.010]</td> </tr> <tr> <td>2 PLC</td> <td>±.25</td> <td>[.010]</td> </tr> <tr> <td>3 PLC</td> <td>±.25</td> <td>[.010]</td> </tr> <tr> <td>4 PLC</td> <td>±.25</td> <td>[.010]</td> </tr> <tr> <td>ANGLES</td> <td colspan="2">±.5</td> </tr> <tr> <td>FINISH</td> <td colspan="2"></td> </tr> </table>		0 PLC	±.5	[.020]	1 PLC	±.25	[.010]	2 PLC	±.25	[.010]	3 PLC	±.25	[.010]	4 PLC	±.25	[.010]	ANGLES	±.5		FINISH			PRODUCT SPEC - APPLICATION SPEC - WEIGHT - CUSTOMER DRAWING
0 PLC	±.5	[.020]																					
1 PLC	±.25	[.010]																					
2 PLC	±.25	[.010]																					
3 PLC	±.25	[.010]																					
4 PLC	±.25	[.010]																					
ANGLES	±.5																						
FINISH																							

Tyco Electronics Harrisburg, PA 17105-3608	
NAME RIGHT ANGLE PIN CONNECTOR SOLDER TAILS	
SCALE	3:1
SHEET	1 OF 3
REV	A

ELCON FLATPAQ

THIS DRAWING IS UNPUBLISHED. RELEASED FOR PUBLICATION 20
 © COPYRIGHT 20 BY TYCO ELECTRONICS CORPORATION. ALL RIGHTS RESERVED.

LOC	DIST	REVISIONS					
GP	00	P	LTR	DESCRIPTION	DATE	DWN	APVD
		-		SEE SHEET 1	-	-	-



PRINTED CIRCUIT LAYOUT
 COMPONENT SIDE

CONNECTOR	CATALOG MODULE #	QTY	SIZE NO.	CONTACT QTY	MATING PIN	MAX. CURRENT (PER CONTACT)	CONTACT SPACING	VOLTAGE RATING
PIN	FP0105	2	8	2	1.25 X 7.00 [.049 X .276]	35 amps	7.50 [0.2953]	250
	FP0106	1	8	1	1.25 X 7.00 [.049 X .276]	35 amps	7.50 [0.2953]	250

THIS DRAWING IS A CONTROLLED DOCUMENT FOR TYCO ELECTRONICS CORPORATION. IT IS SUBJECT TO CHANGE AND THE CONTROLLING ENGINEERING ORGANIZATION SHOULD BE CONTACTED FOR THE LATEST REVISION.

DWN: R. GRZYBOWSKI 02AUG06
 CHK: D. ORRIS 02AUG06
 APVD: D. ORRIS 02AUG06

tyco Tyco Electronics
 Harrisburg, PA 17105-3608

NAME: RIGHT ANGLE PIN CONNECTOR SOLDER TAILS

SIZE: A2 CAGE CODE: 00779 DRAWING NO: 6651993 RESTRICTED TO: -

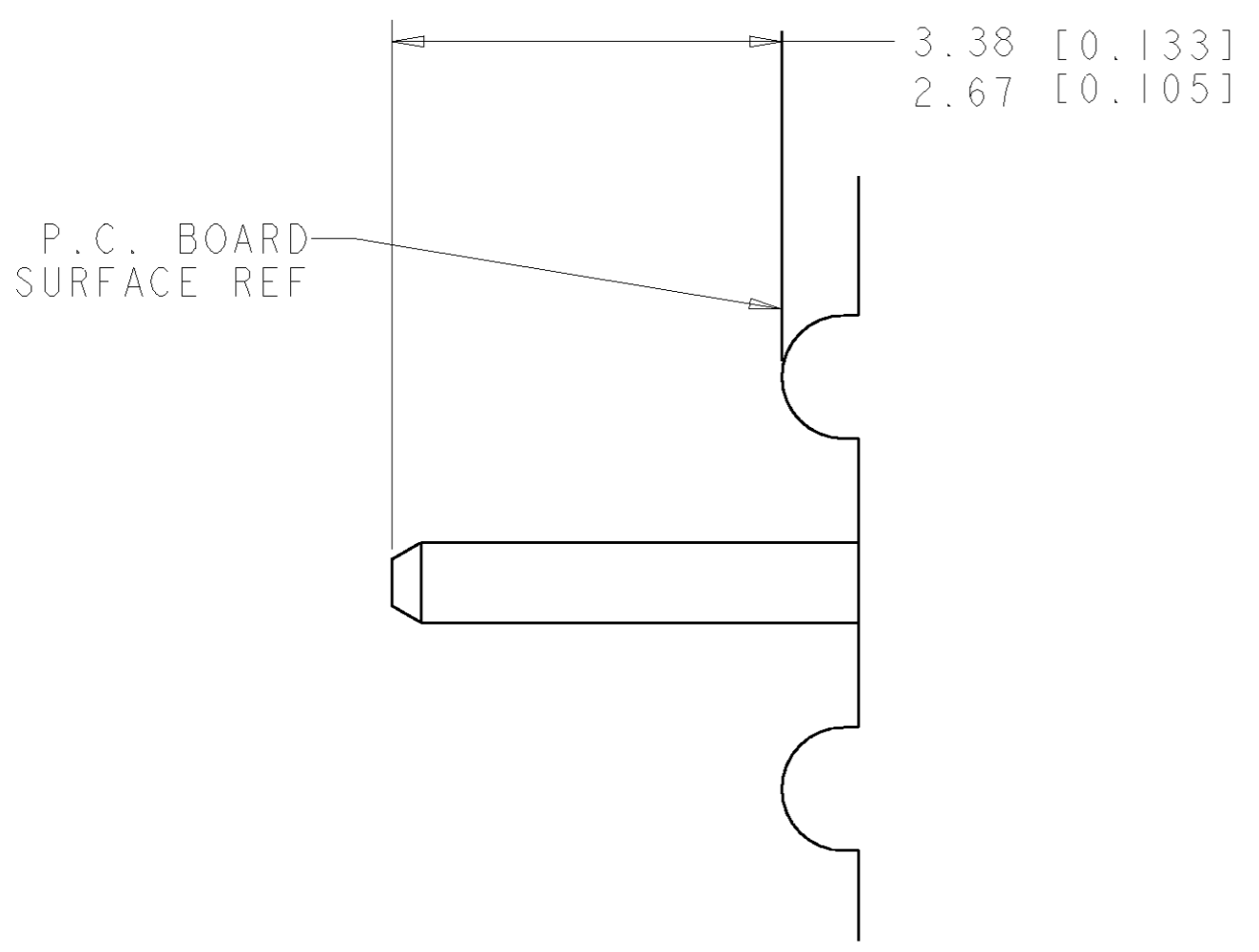
MATERIAL: - FINISH: - WEIGHT: -

CUSTOMER DRAWING SCALE: 3:1 SHEET 2 OF 3 REV A

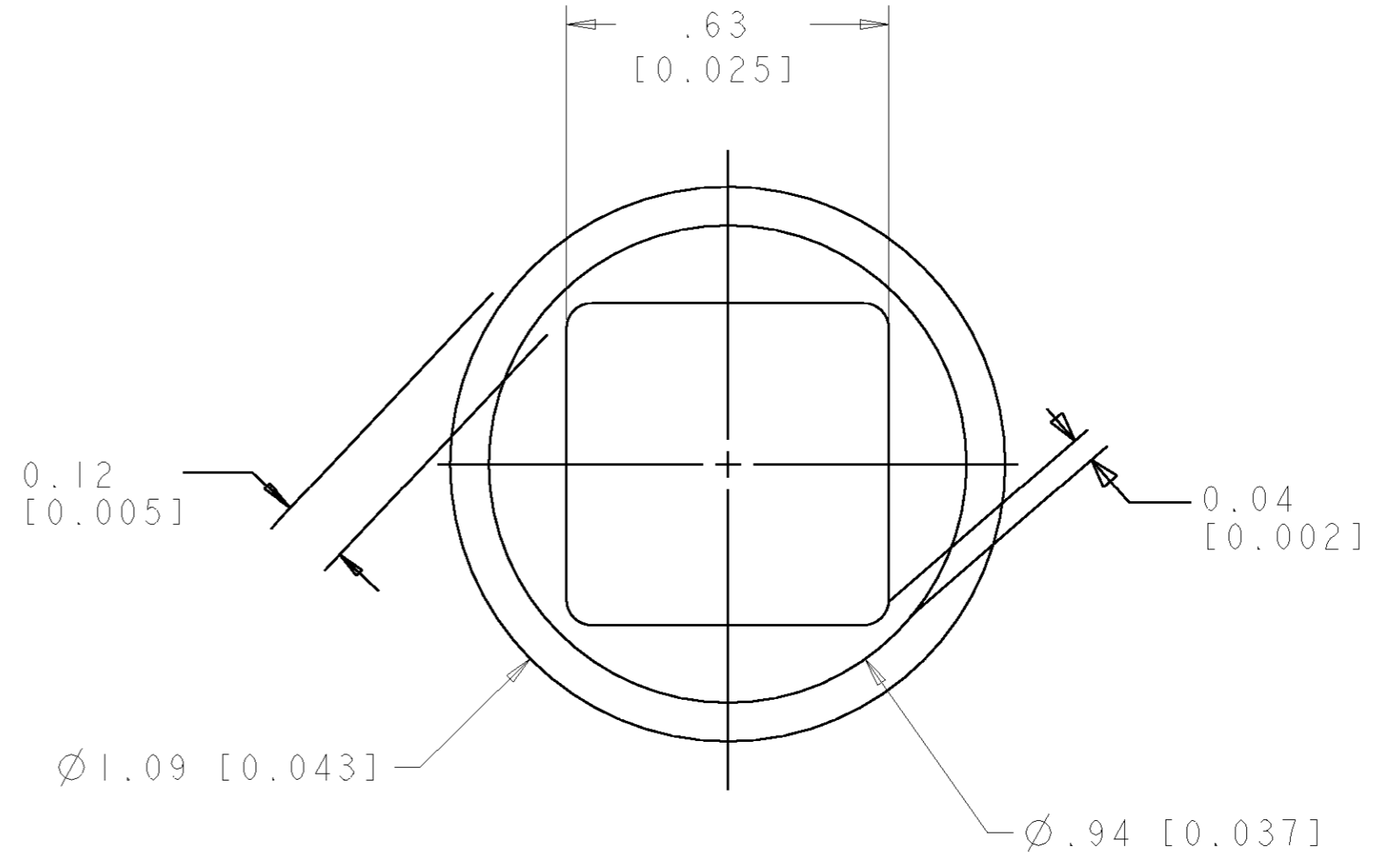
ELCON FLATPAQ

THIS DRAWING IS UNPUBLISHED. RELEASED FOR PUBLICATION 20
 © COPYRIGHT 20 BY TYCO ELECTRONICS CORPORATION. ALL RIGHTS RESERVED.

LOC	DIST	REVISIONS			
P	LTR	DESCRIPTION	DATE	DWN	APVD
GP	00	-	SEE SHEET 1	-	-



6. SOLDER TAIL DETAIL
SCALE 10 : 1



7. SOLDER TERMINATION AREA
SCALE 40:1

RECOMMENDED PRINTED CIRCUIT SOLDER HOLE
 FINISHED HOLE: $\phi 1.02$ [.040] $\pm .008$ [.0003]
 DRILLED HOLE: $\phi 1.15$ [.0453] $\pm .013$ [.0005]
 COPPER PLATE: .025 [.0010] MIN (PER SURFACE)
 TIN PLATE: .008 [.0003] MIN. (PER SURFACE)

ELCON FLATPAQ

THIS DRAWING IS A CONTROLLED DOCUMENT FOR TYCO ELECTRONICS CORPORATION IT IS SUBJECT TO CHANGE AND THE CONTROLLING ENGINEERING ORGANIZATION SHOULD BE CONTACTED FOR THE LATEST REVISION.		DWN R. GRZYBOWSKI 02AUG06	Tyco Electronics Harrisburg, PA 17105-3608	
DIMENSIONS: mm [INCHES]		CHK D. ORRIS 02AUG06	NAME RIGHT ANGLE PIN CONNECTOR SOLDER TAILS	
TOLERANCES UNLESS OTHERWISE SPECIFIED:		APVD D. ORRIS 02AUG06	SIZE	RESTRICTED TO
0 PLC \pm	1 PLC $\pm .5$ [.020]	PRODUCT SPEC	CAGE CODE	DRAWING NO
2 PLC $\pm .25$ [.010]	3 PLC \pm	APPLICATION SPEC	A200779	C-6651993
4 PLC \pm	ANGLES ± 5	WEIGHT	SCALE 3:1	SHEET 3 OF 3
MATERIAL	FINISH	CUSTOMER DRAWING	REV A	

Mouser Electronics

Authorized Distributor

Click to View Pricing, Inventory, Delivery & Lifecycle Information:

[TE Connectivity:](#)

[6651993-1](#)