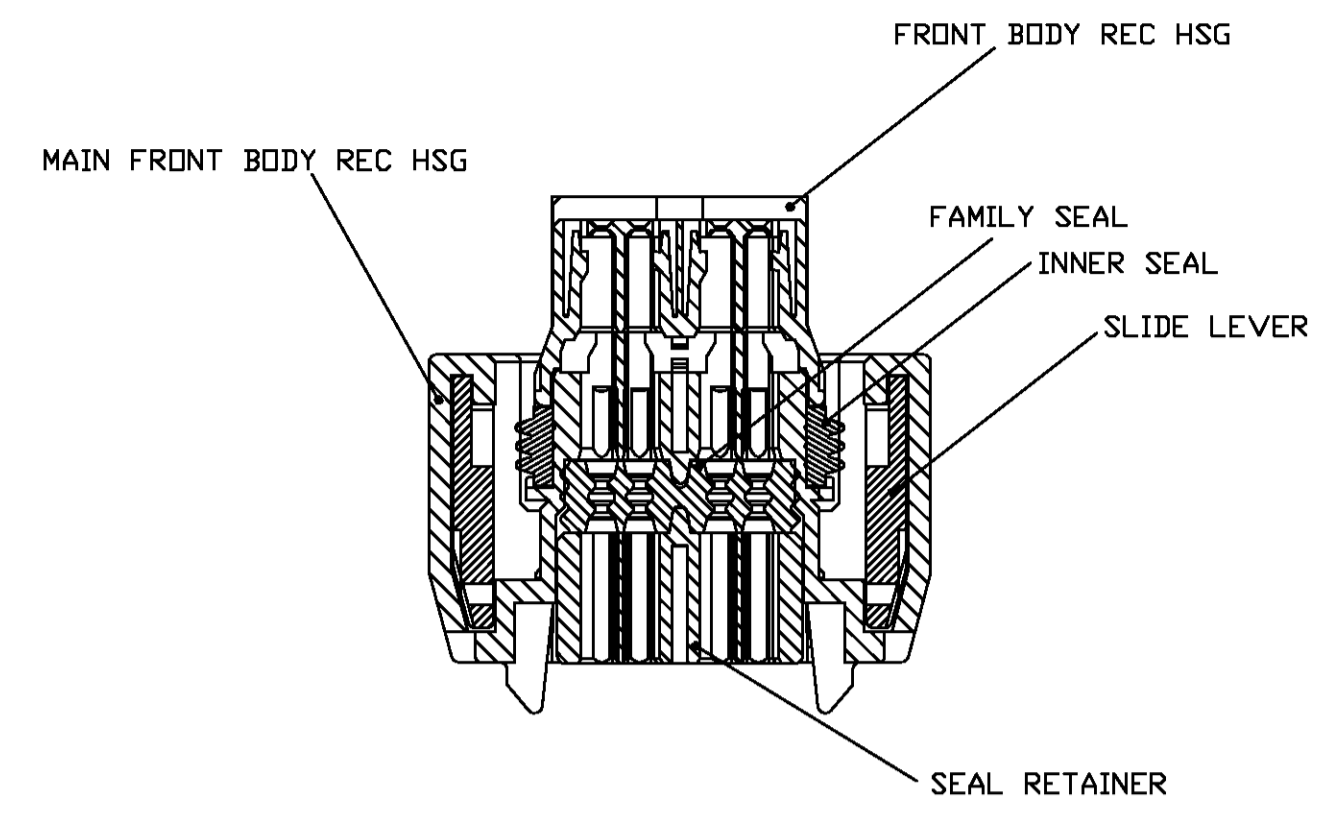
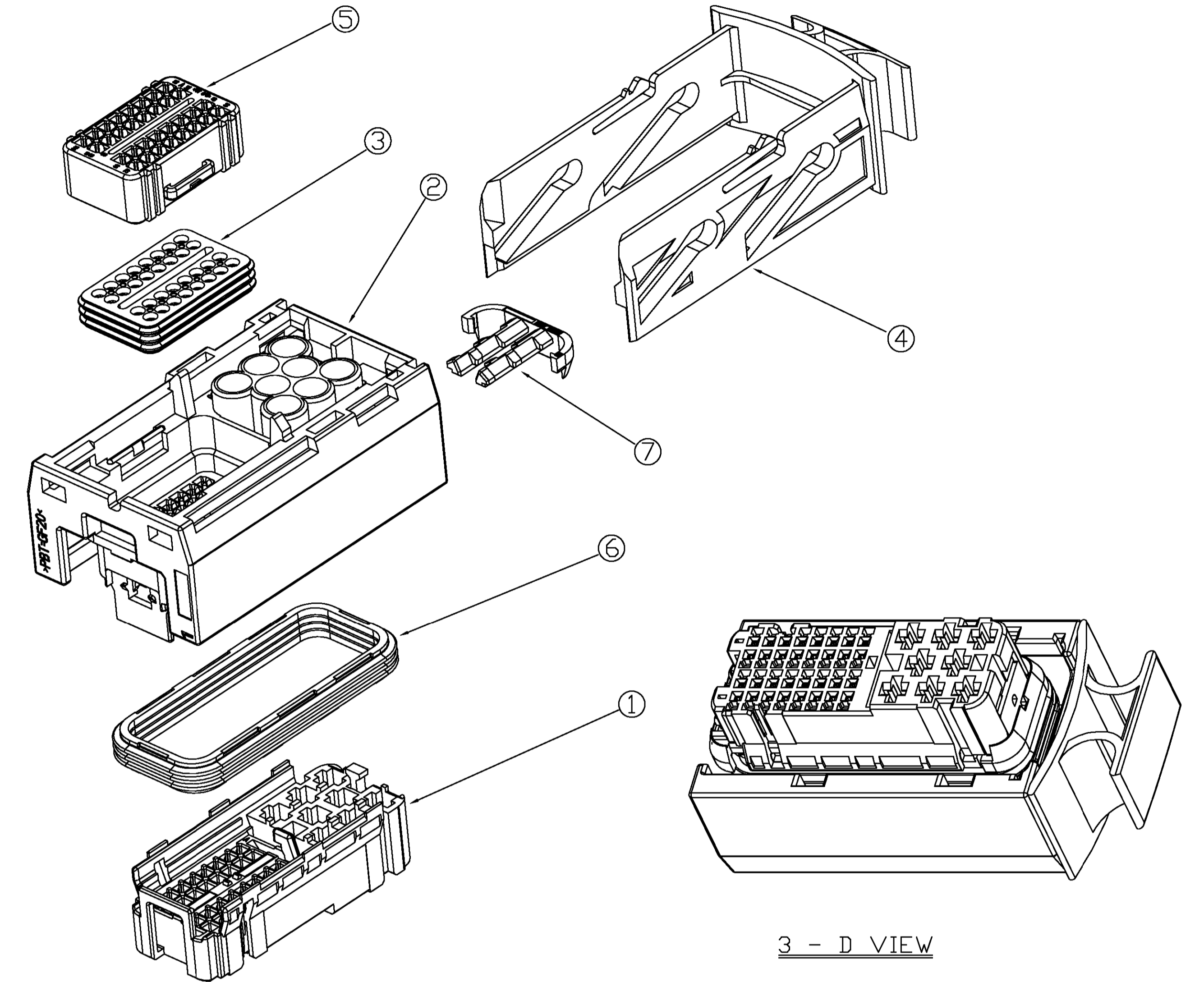
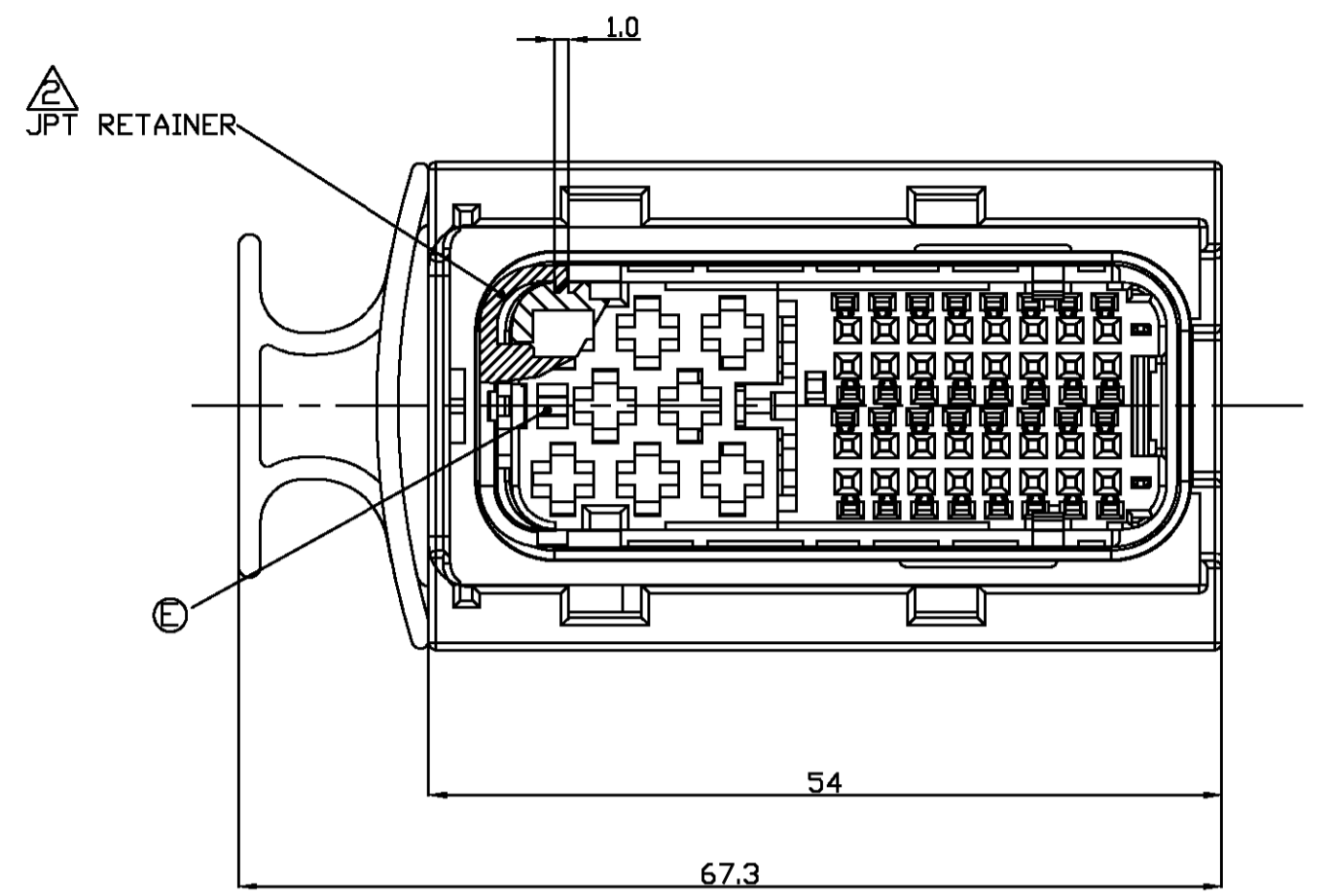


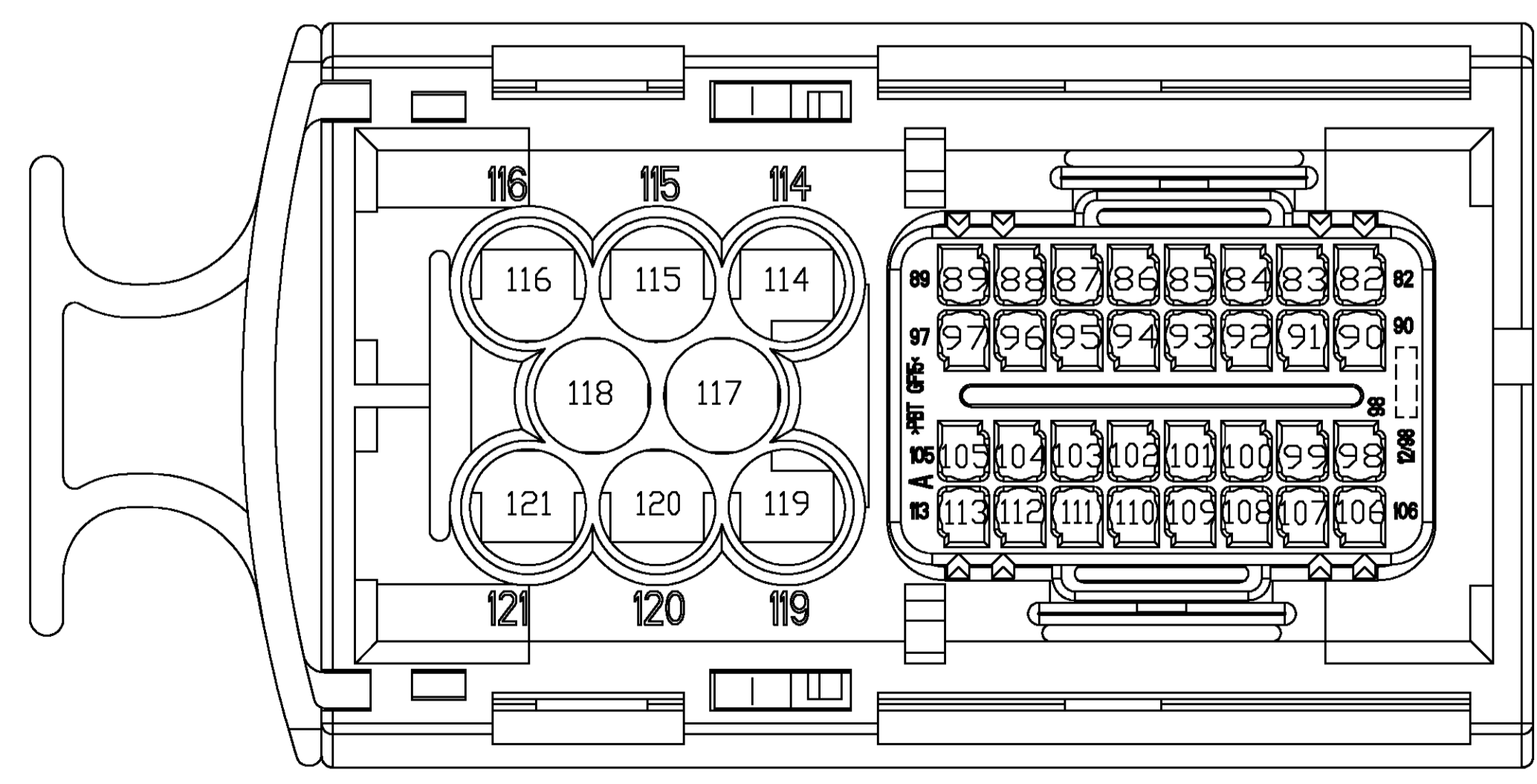
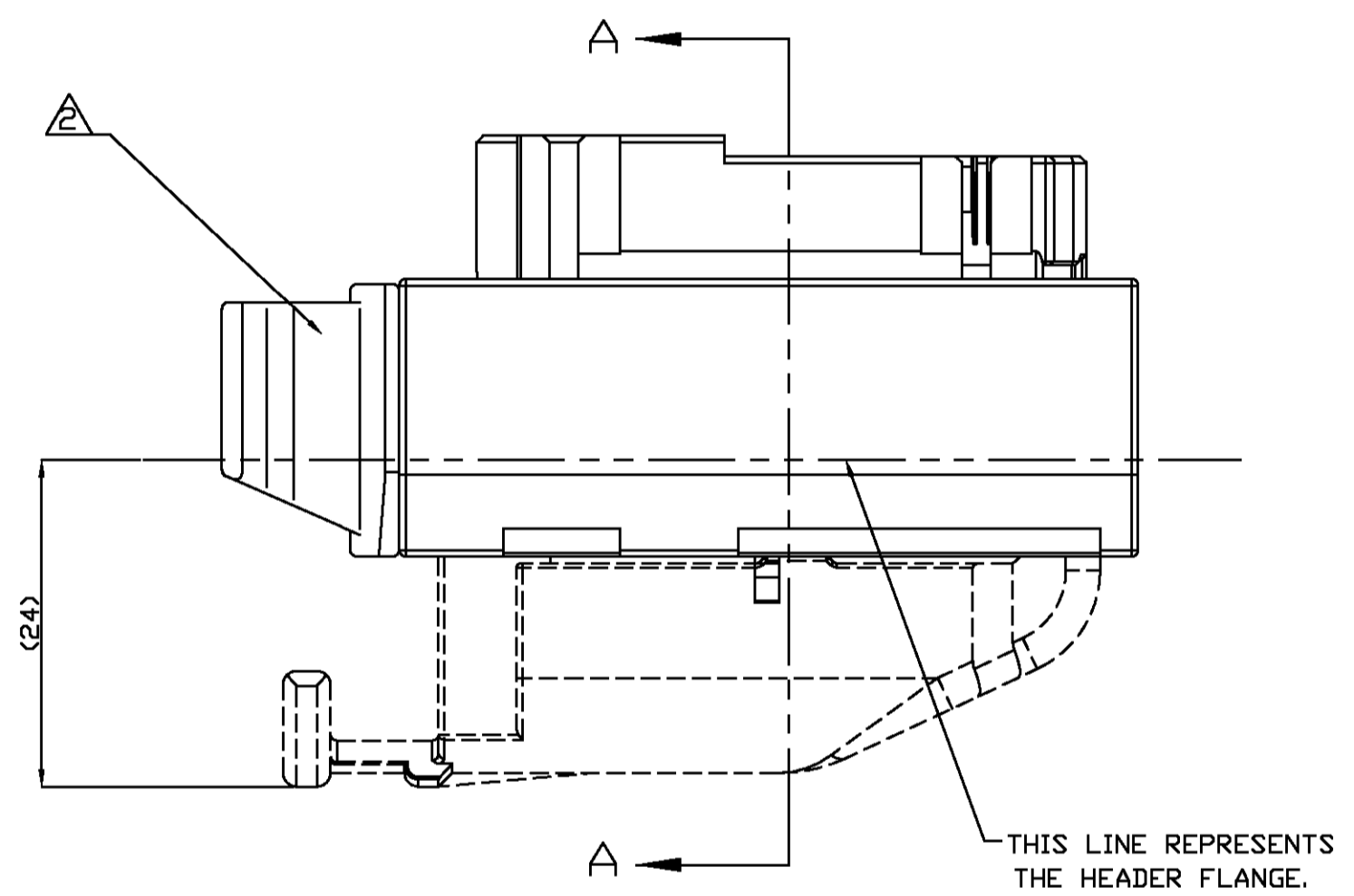
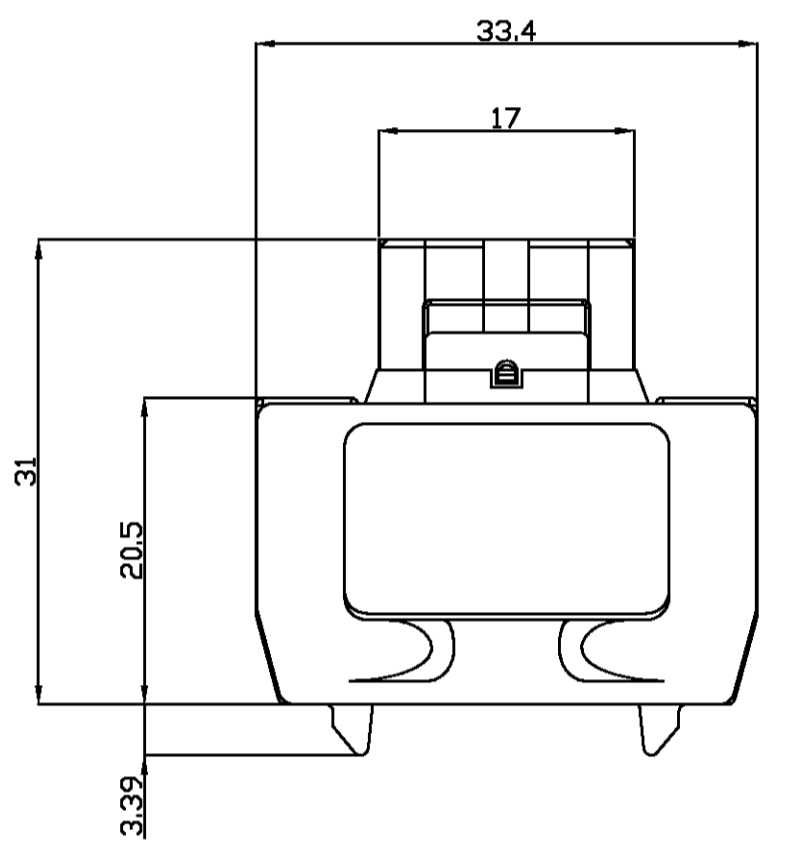
LDC		REVISIONS					
DS	DIST	P	LYR	DESCRIPTION	DATE	BY	APP'D
				RELEASED(FC00-0162-00)	DEC,15,'00	HS	CS
		A		REVISED(FC00-0053-01)	MAY,15,'01	HS	CS
		B		REVISED(FC00-0104-01)	OCT,12,'01	HS	CS
		C		REVISED(FC00-0132-01)	NOV,23,'01	HS	CS
		D		REVISED(FC00-0145-01)	JAN,30,'02	HS	CS
		E		REVISED(FC00-0008-03)	JAN,23,'03	HS	CS
		F		REVISED(ECR-07-008980)	APR,18,'07	YH	JK



SECT. A-A



3 - D VIEW



CIRCUIT NUMBER LAYOUT  
SCALE(4/1)

368383-4	82,83,86,87,88,90,91,97,105,111,112.	②③④
368383-3	82,84,86,87,90,91,95,96,98,100,103,104,111,112.	④
368383-2	82,84,86,87,89~92,94~98,100,103~105,111~113.	④
368383-1	-	
PART NUMBER	BLANKED CAVITIES	

- NOTES
- GENERAL TOLERANCE IS ±0.5
  - CONDITION OF DELIVERY : SLIDE LEVER IN CLOSED POSITION, JPT RETAINER IN OPEN POSITION.
  - SUITABLE FOR WIRE SIZE RANGE:
 

CONTACT	MQS	JPT
CIRCUIT NO.	82 - 113	114 - 121
WIRE SIZE(mm <sup>2</sup> )	0.5 - 0.75	0.5 - 2.5
  - APPLIED COVER HSG P/N: 368401
  - APPLIED RECEPTACLE CONTACT P/N:
 

CONTACT	MQS	JPT
Part NO.	968220	968221 964286 964273
WIRE SIZE(mm <sup>2</sup> )	0.5	0.75 0.5 - 1.0 1.0 - 2.5
  - APPLIED HEADER ASSEMBLY P/N: 368146.

NO.	Part NO.	DESCRIPTION	MATERIAL	COLOR	Q'TY
7	368381-1	JPT RETAINER FOR 40P	PBT-GF30	YELLOW	1 1 1 1 1
6	368907-1	INNER SEAL FOR 40P	SILICONE	ORANGE	1 1 1 1 1
5	368387-4	SEAL RETAINER FOR 40P	PBT-GF15	BLUE	1
	368387-3			WHITE	1
	368387-2			GRAY	1
	368387-1			BLACK	1
4	368386-1	SLIDE LEVER FOR 40P	PA66-GF35	BLACK	1 1 1 1 1
3	368906-1	32P FAMILY SEAL	SILICONE	ORANGE	1 1 1 1 1
2	368385-1	MAIN BODY REC. HSG FOR 40P	PBT-GF20	BLACK	1 1 1 1 1
1	368384-1	FRONT BODY REC. HSG FOR 40P	PA66-GF15	BLACK	1 1 1 1 1

ASSY P/N	DISCRPTION	40Pos REC. HSG ASSY	40Pos REC. HSG ASSY	40Pos REC. HSG ASSY	40Pos REC. HSG ASSY
①-368383-1		1	1	1	1
368383-4		1	1	1	1
368383-3				1	
368383-2				1	
368383-1				1	

DIMENSIONS:	TOLERANCES UNLESS OTHERWISE SPECIFIED	APV/JK SONG	NAME
MM	0 PLC ± 1 PLC ± 2 PLC ± 3 PLC ± 4 PLC ± ANGLES ± FINISH	APV/JK SONG	AMP KOREA, kyungsan, korea
		PRODUCT SPEC 108-61039	40Pos RECEPTACLE HSG ASSEMBLY
		APPLICATION SPEC 114-18050, 114-18021-1	SIZE: CAGE CODE DRAWING NO. RESTRICTED TO
		VEIGHT	① 00779 ② = 368383
		CUSTOMER DRAWING	SCALE 2:1 SHEET 1 OF 1 REV F

# Mouser Electronics

Authorized Distributor

Click to View Pricing, Inventory, Delivery & Lifecycle Information:

[TE Connectivity:](#)

[368383-1](#)