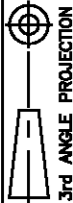
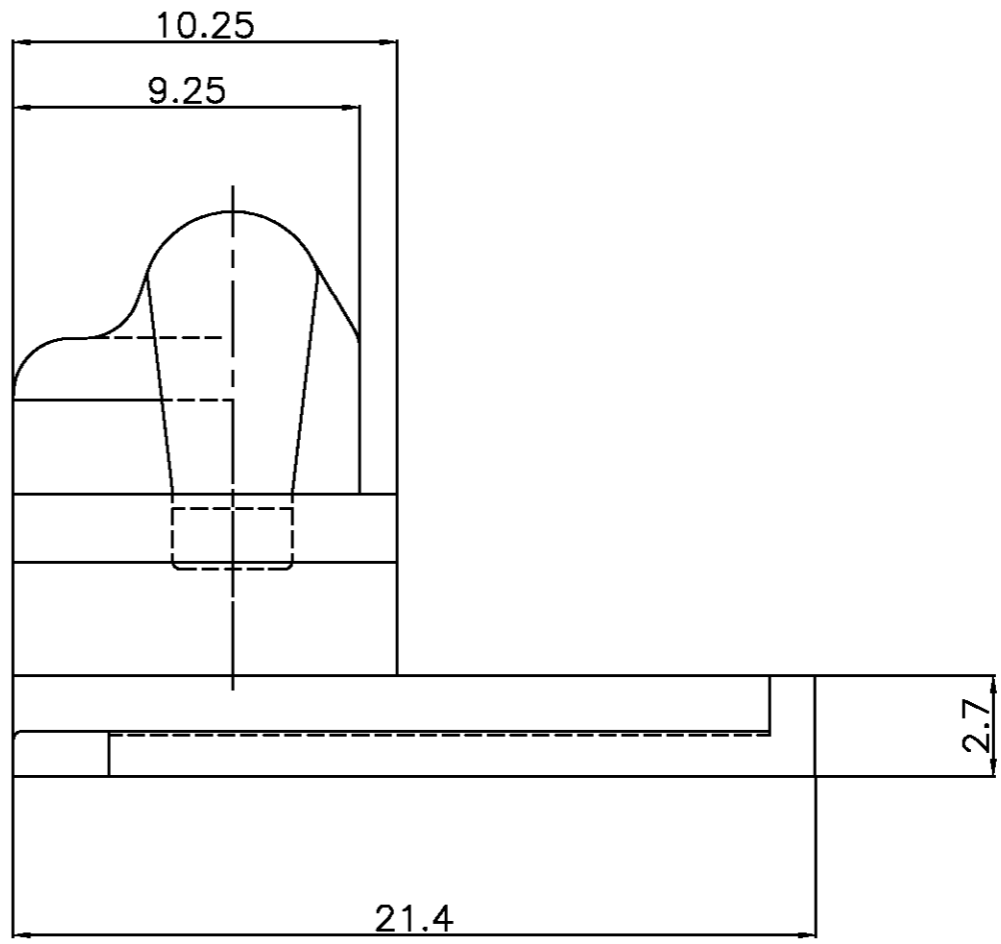
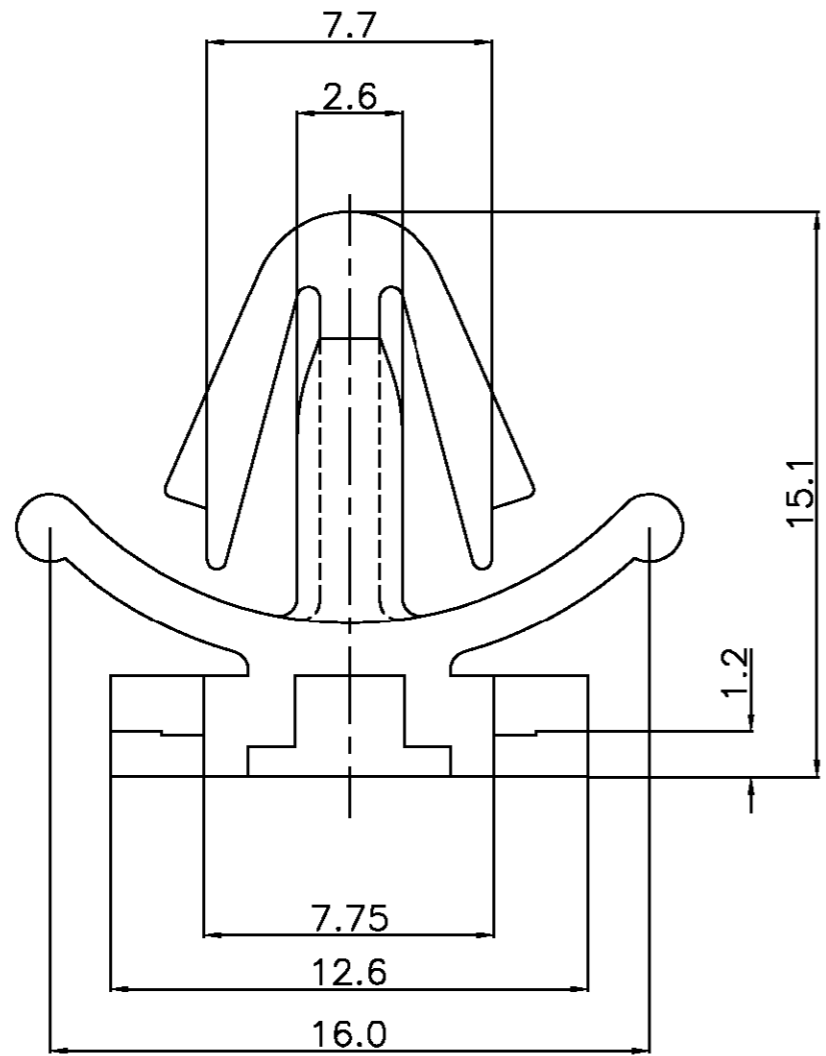


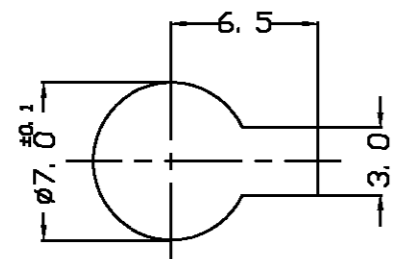
NUMBER 368121



METRIC



PANEL HOLE SIZE



PANEL THICKNESS: 0.7-1.6mm

BLACK	368121-1
COLOR	PART NO.

DIMENSIONS IN MM. DO NOT SCALE PRINT

PRINT DIST.

QTY	DESCRIPTION	DATE	BY	CHK

BLACK		CLIP HSG FOR 070 & EJ		368121-1	
COLOR		NAME		P/N	
© 19 AMP MFG KOREA ALL RIGHT RESERVED AMP PRODUCTS COVERED BY PATENTS AND DR PATENTS PENDING			AMP AMP MFG KOREA		
WIRE RANGE		INSULATION DIA		NAME	
MATERIAL NYLON 66		FINISH/COLOR SEE TABLE		CLIP HSG FOR 070 & EJ	
DR		APP		TOLERANCES	
CHK		REL		0<XX<10 ±0.2	
				10<XX<30 ±0.25	
				30<XX<100±0.3	
				ANGLES ±3°	
				SIZE A3	LOC DS
				NUMBER 368121	
				SCALE 5/1	REV 0
				SHEET 1 OF 1	

0	RELEASED(RD96-380)	TD	CS	APPROV
LTR	REVISION RECORD	DR	CHK	DATE

Mouser Electronics

Authorized Distributor

Click to View Pricing, Inventory, Delivery & Lifecycle Information:

[TE Connectivity:](#)

[368121-1](#)