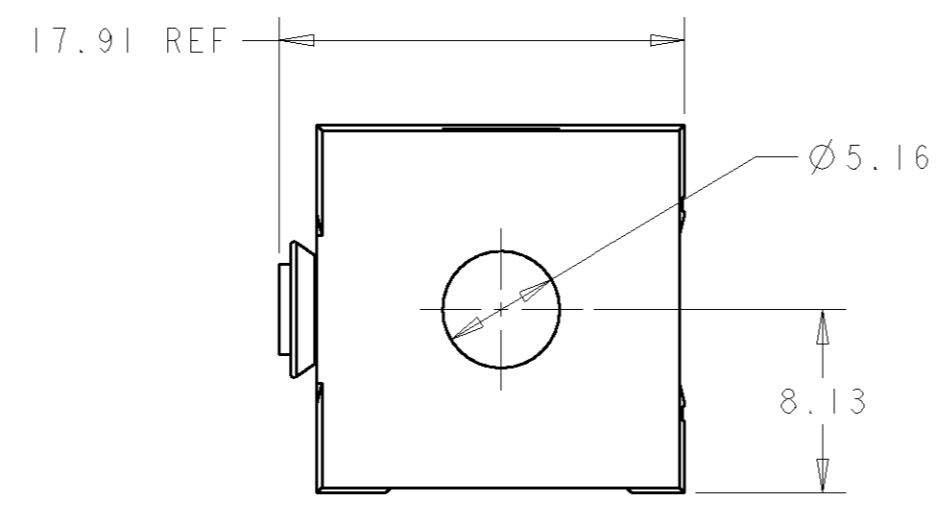
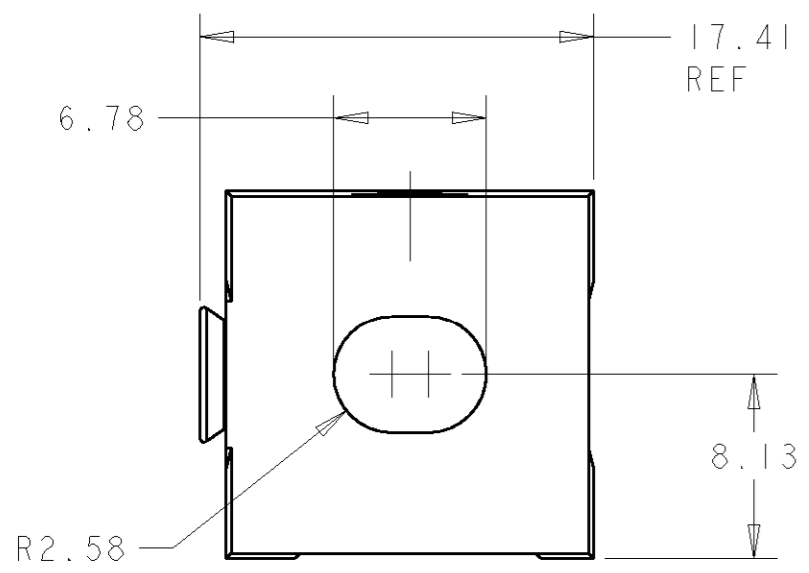
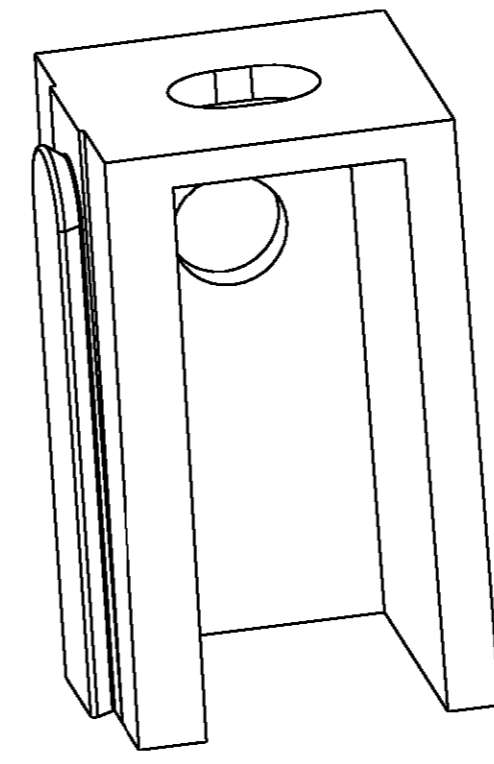


THIS DRAWING IS UNPUBLISHED. RELEASED FOR PUBLICATION 20
 © COPYRIGHT 20 BY TYCO ELECTRONICS CORPORATION. ALL RIGHTS RESERVED.

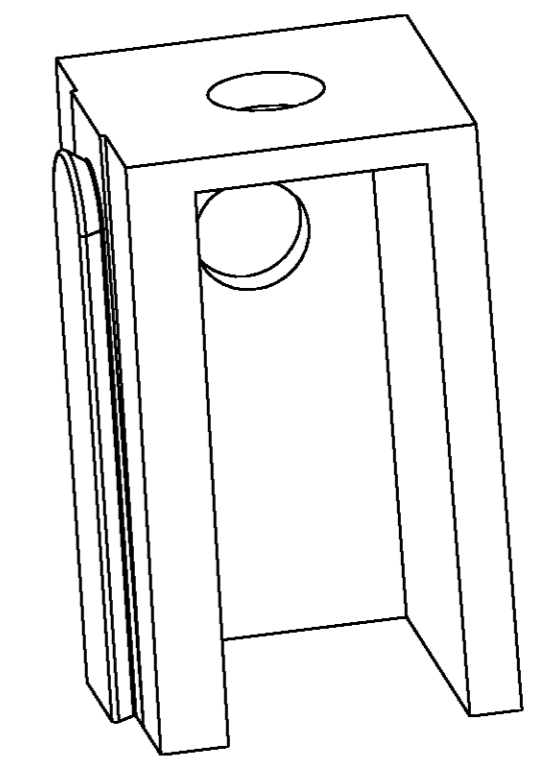
LOC	DIST	REVISIONS					
CM	00	P	LTR	DESCRIPTION	DATE	DWN	APVD
		O		RELEASED PER 063B-0026-03	19-FEB-03	KW	JE
		A		REVISED PER 063B-0057-03	11-APR-03	KW	JE



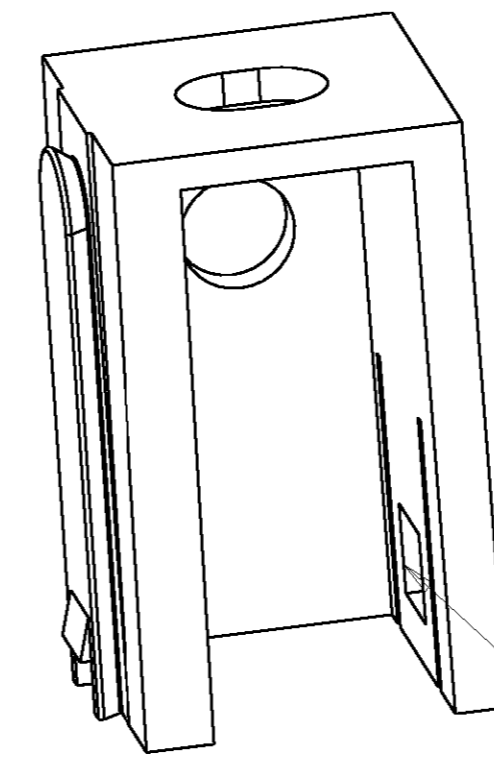
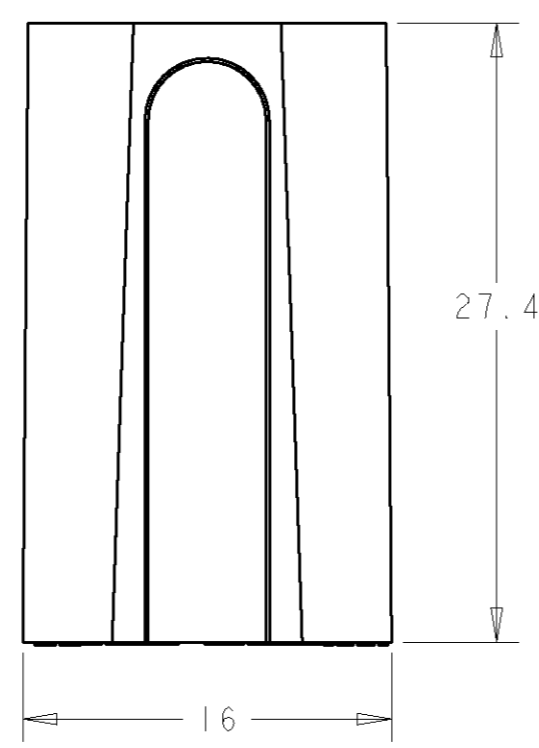
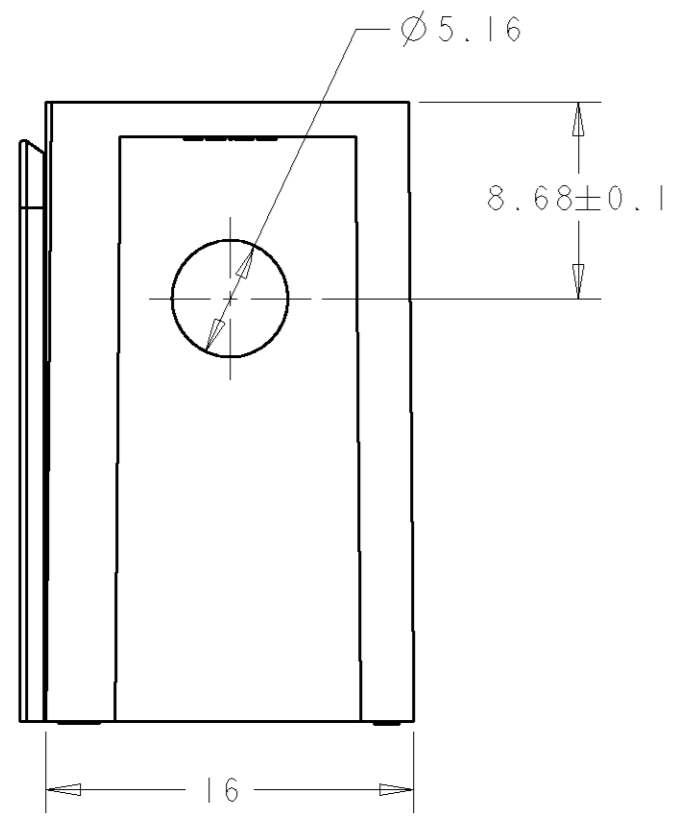
TOP VIEW OF 1445729-4
 SHOWING THE CIRCULAR
 MOUNTING HOLE ON 1445729-2
 AND 1445729-4



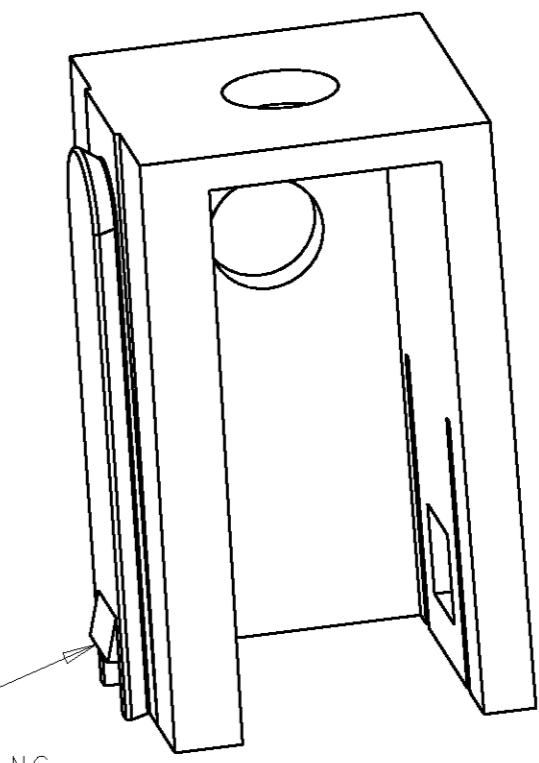
1445729-1
 WITHOUT LOCKING FEATURE,
 OVAL MOUNTING HOLE



1445729-2
 WITHOUT LOCKING FEATURE,
 CIRCULAR MOUNTING HOLE



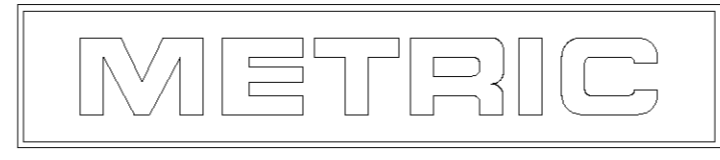
1445729-3
 WITH LOCKING FEATURE,
 OVAL MOUNTING HOLE



1445729-4
 WITH LOCKING FEATURE,
 CIRCULAR MOUNTING HOLE

1. MATERIAL: POLYCARBONATE UL94V0.
2. COLOR: BLUE.
3. PN 1445729-1 IS SHOWN. PLEASE REFERENCE ISOMETRIC VIEWS FOR ADDITIONAL PRODUCT OFFERINGS.

DESCRIPTION	PART NUMBER
WITH LOCKING FEATURE, ROUND MOUNTING HOLE	1445729-4
WITH LOCKING FEATURE, OVAL MOUNTING HOLE	1445729-3
WITHOUT LOCKING FEATURE, ROUND MOUNTING HOLE	1445729-2
WITHOUT LOCKING FEATURE, OVAL MOUNTING HOLE	1445729-1



THIS DRAWING IS A CONTROLLED DOCUMENT FOR TYCO ELECTRONICS CORPORATION IT IS SUBJECT TO CHANGE AND THE CONTROLLING ENGINEERING ORGANIZATION SHOULD BE CONTACTED FOR THE LATEST REVISION.		DWN BH 04OCT01 CHK KAK 04OCT01 APVD KAK 04OCT01	tyco Electronics Tyco Electronics Harrisburg, PA 17105-3608
DIMENSIONS: mm 	TOLERANCES UNLESS OTHERWISE SPECIFIED: 0 PLC ±0.13 1 PLC ±0.13 2 PLC ±0.13 3 PLC ± 4 PLC ± ANGLES ± FINISH -	PRODUCT SPEC - APPLICATION SPEC - WEIGHT -	NAME MOUNTING WING, AMP POWER SERIES 75, SINGLE POLE SIZE A2 CAGE CODE 00779 DRAWING NO. 1445729 RESTRICTED TO - CUSTOMER DRAWING SCALE 3:1 SHEET 1 OF 1 REV A

Mouser Electronics

Authorized Distributor

Click to View Pricing, Inventory, Delivery & Lifecycle Information:

[TE Connectivity:](#)

[1445729-2](#)