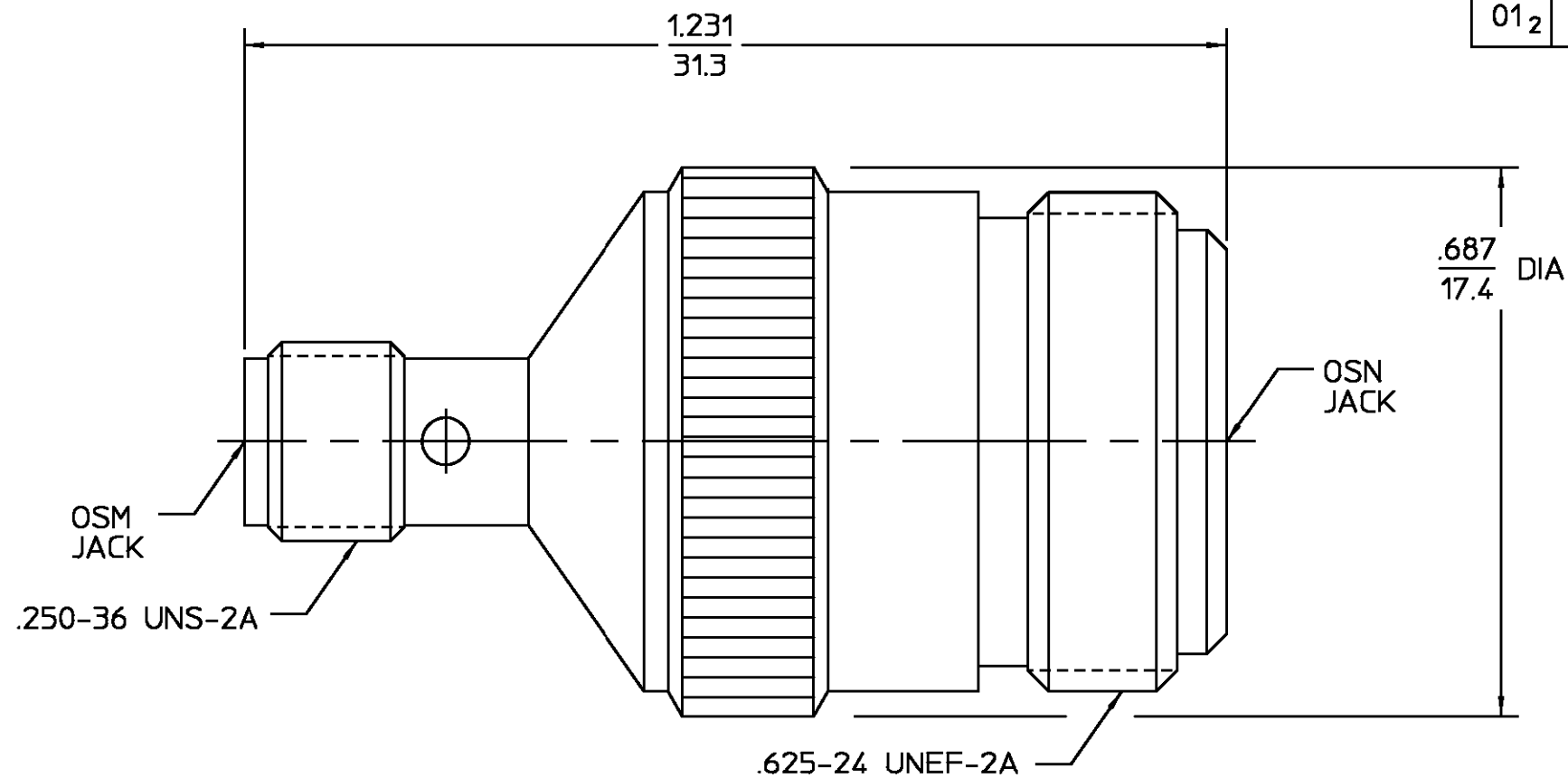


REVISIONS			
REV	DESCRIPTION	DATE	APPROVED
01 ₂	REVISED	03/17/95	<i>AD</i>



HOUSING	STAINLESS STEEL PER ASTM-A484 AND ASTM- A582, TYPE 303	PASSIVATE PER QQ-P-35
DIELECTRIC	TFE FLUOROCARBON PER ASTM-D-1457	N/A
CENTER CONTACT	BERYLLIUM COPPER PER ASTM-B-196 OR ASTM-B-197, ALLOY C17300, CONDITION H	GOLD PLATE PER MIL-G-45204
COMPONENT	MATERIAL	FINISH
UNLESS OTHERWISE SPECIFIED DIMENSIONS ARE IN INCHES	DRAWN BY MDC	DATE 11-6-76
FRAC. ± 1/64	DEC. ±.005	ANGLES ± 1°
	CHECKED BY	AMP Incorporated 140 Fourth Avenue Waltham, MA 02451-7599
	APPD BY DC	DATE 11-8-76
These drawings and speci- fications are the property of M/A COM Interconnect Div. and shall not be reproduced or copied or used in whole or in part as the basis for the manufacture or sale of item(s) without written permission.	USE ASSY PROCEDURE	TITLE OSM JACK TO OSN JACK ADAPTER
	NO. A.P. N/A	SIZE B
		CODE IDENT NO. 26805
		3080-2240-00
		REV 01 ₂
		SCALE 5 : 1
		N/A
		SHEET 1 OF 1

NOTES:

1. CAPTURED CENTER CONTACT

.XXX = in
XX.X = mm

Mouser Electronics

Authorized Distributor

Click to View Pricing, Inventory, Delivery & Lifecycle Information:

[TE Connectivity:](#)

[3080-2240-00](#)