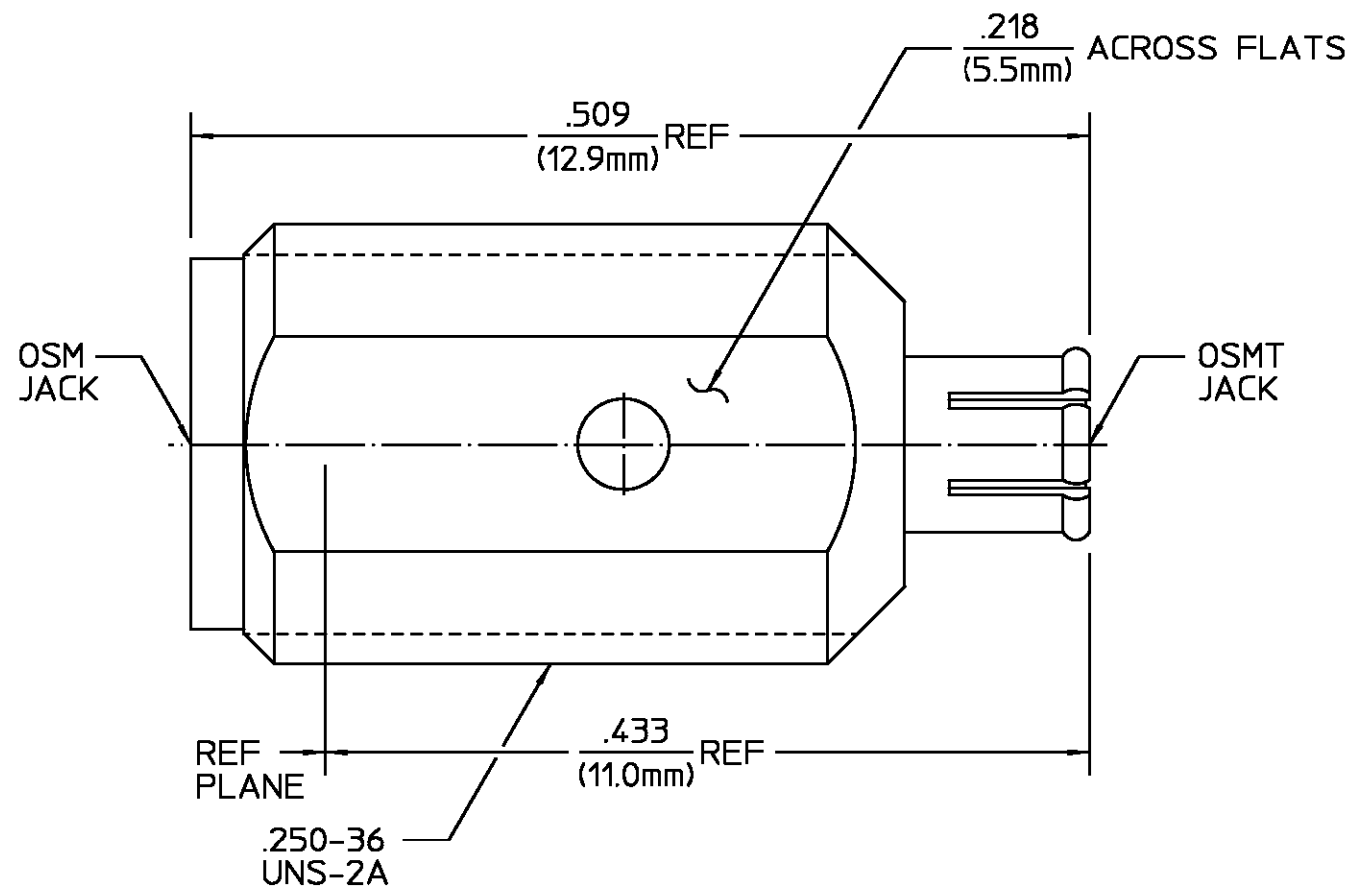


REVISIONS			
REV	DESCRIPTION	DATE	APPROVED
020	RELEASED	07/23/92	<i>FH</i>



DIELECTRIC	TFE FLUOROCARBON PER ASTM-D-1457	N/A
CENTER CONTACT HOUSING	BERYLLIUM COPPER PER ASTM B 196, ALLOY C17300, CONDITION H	GOLD PLATE PER MIL-G-45204 OVER NICKEL PLATE PER QQ-N-290
COMPONENT	MATERIAL	FINISH

UNLESS OTHERWISE SPECIFIED DIMENSIONS ARE IN INCHES TOLERANCE ON FRAC DEC ANGLES • 1/64 • .005 • 1°	DRAWN BY <i>M.A.</i> DATE 4/16/92	AMP Incorporated 140 Fourth Avenue Waltham, MA 02451-7599		
	CHECKED BY <i>M.A.</i> 07/23/92			
These drawings and specifications are the property of Omni Spectra Incorporated and shall not be reproduced or copied or used in whole or in part as the basis for the manufacture or sale of item(s) without written permission.	APPD BY <i>FH</i> 04/17/92	AMP		
	USE ASSY PROCEDURE		TITLE OSMT JACK TO OSM JACK ADAPTER	
	NO. A.P. N/A	SIZE B	CODE IDENT NO. 26805	2380-2240-00
	SCALE 10 : 1	SHEET 1 OF 1		

NOTES:
1. CAPTURED CENTER CONTACT

Mouser Electronics

Authorized Distributor

Click to View Pricing, Inventory, Delivery & Lifecycle Information:

[TE Connectivity:](#)

[2380-2240-00](#)