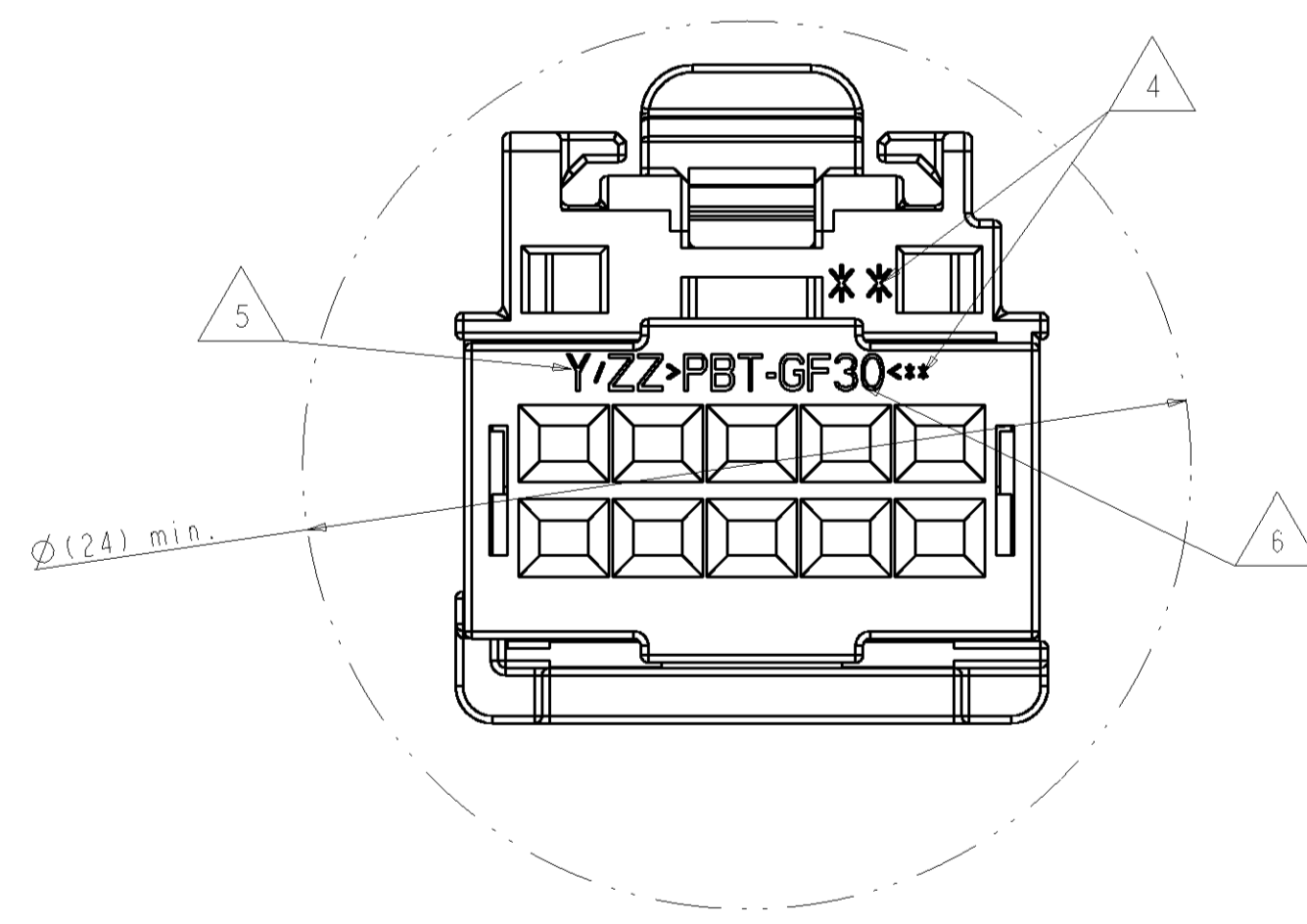
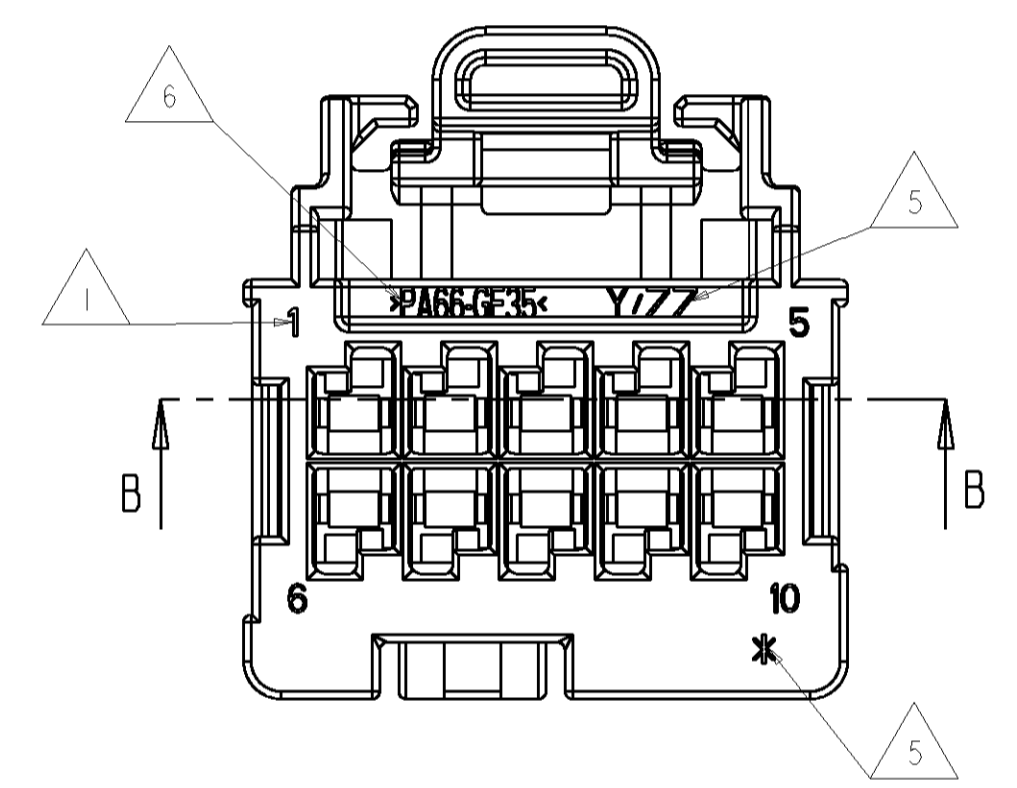
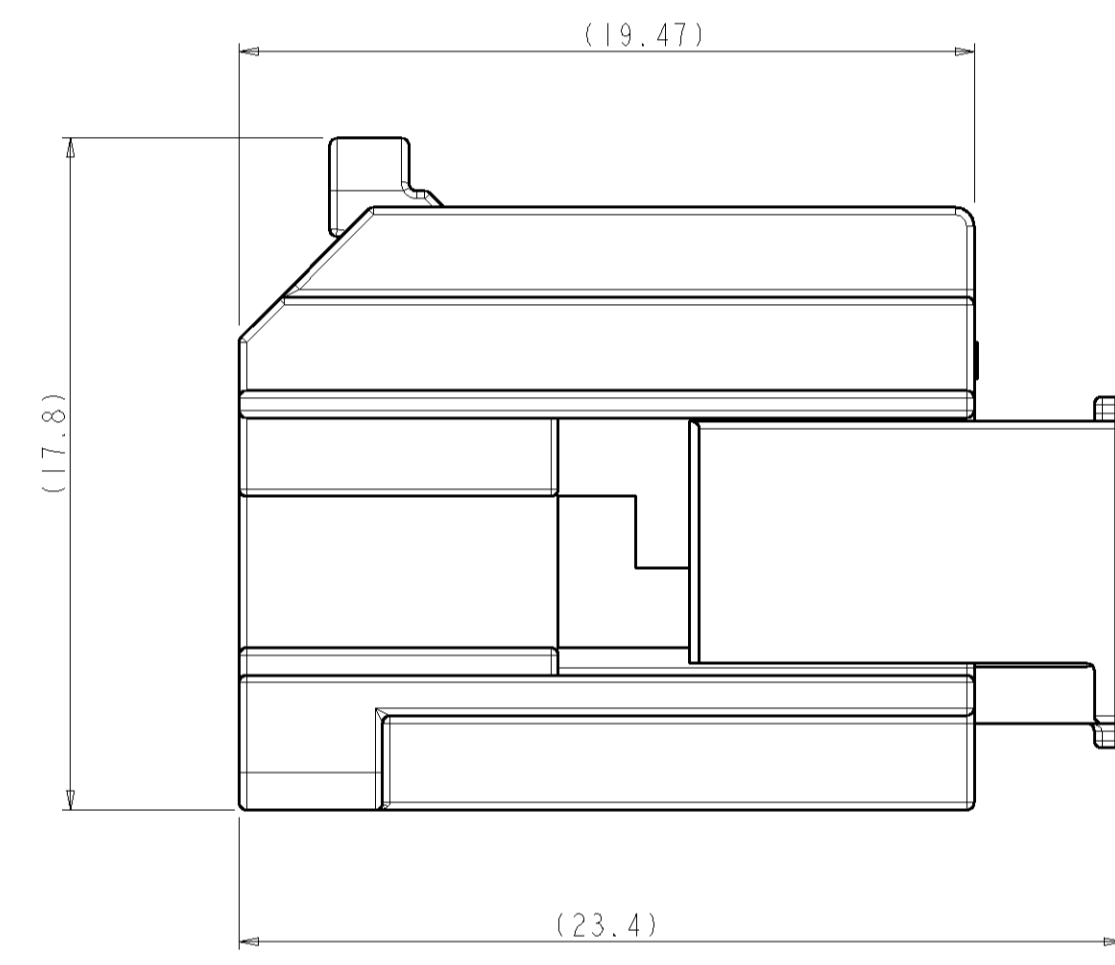
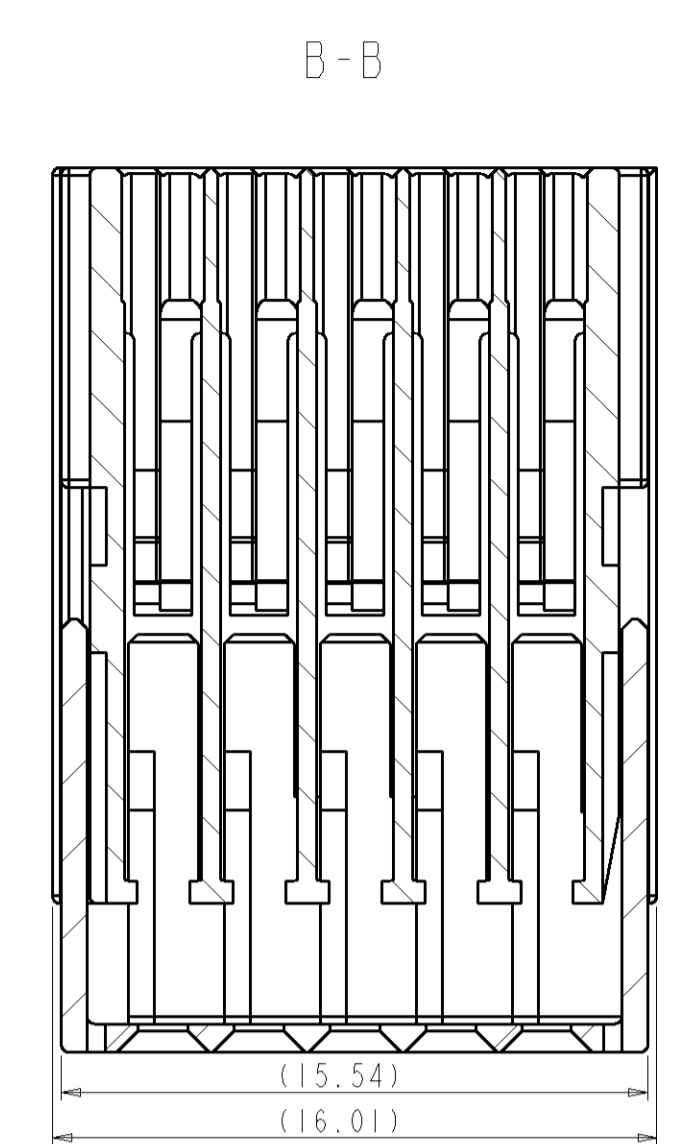
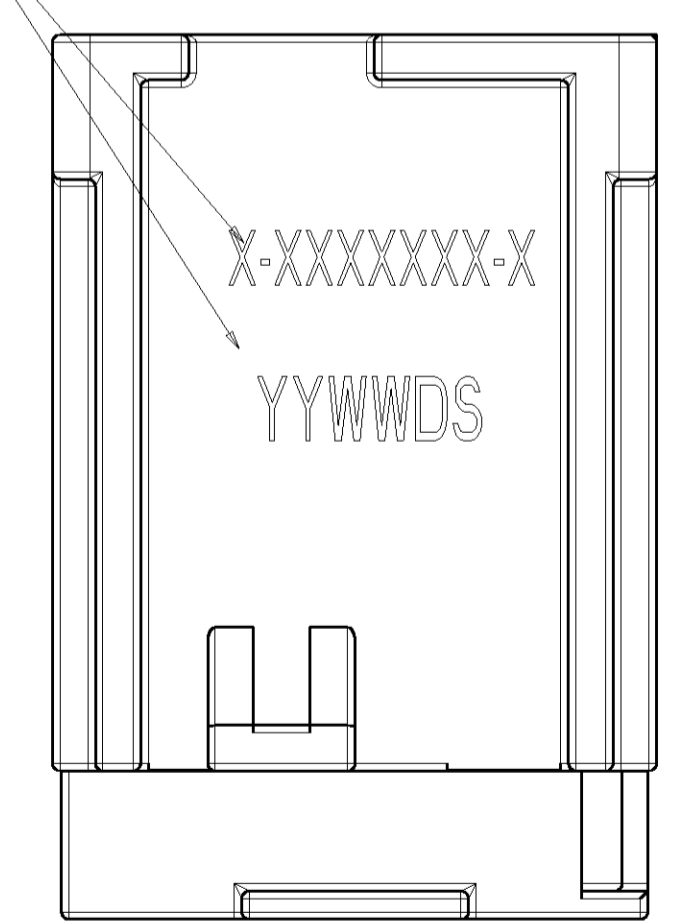
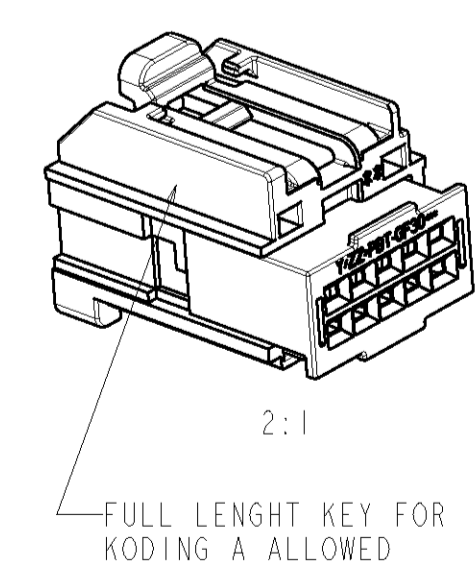


LOC	DIST	REVISIONS					
A	I	P	LYR	DESCRIPTION	DATE	DWN	APVD
		A		SEE PCN: EG00-4039-02-3	18DEC02	MD	-
		B		SEE PCN: ECR-06-000981	22JUN2007	CS	GS



TYCO ORDER NUMBER	KEYING OPTIONS								TYCO ASSY-REV.	DESCRIPTION	COLOUR	MATERIAL
	H	G	F	E	D	C	A	QUANTITY				
4-1419170-1												
5-1419170-7												
4-1419170-0												
5-1419170-6												
3-1419170-9												
5-1419170-5												
3-1419170-8												
5-1419170-4												
3-1419170-7												
5-1419170-3												
3-1419170-6												
5-1419170-2												
1-1419158-4												
5-1419170-8												



- 1 TERMINAL POSITION NUMBERS LOCATED AS SHOWN
- 2 SPACER AND CPA (OPTIONAL) ARE SHIPPED IN PRE ASSEMBLED POSITION
- 3 PART NUMBER AND DATE CODE
- 4 PRODUCT REVISION LEVEL (OPTIONAL)
- 5 TOOL NUMBER, MOLD CAVITY NUMBER AND TYCO LOGO (OPTIONAL)
- 6 MATERIAL IDENTIFICATION

PACKING:
 CONNECTOR ASSEMBLIES PACKED ON TRAY
 TRAYS PACKED IN CARD BOARD BOX

DIMENSIONS: mm		TOLERANCES UNLESS OTHERWISE SPECIFIED:		DWN: 04NOV2002		SCHALLENBERGER		TYCO Electronics	
9-ELC ±		0.15		APVD: -		G. STEINBACH		Tyco Electronics Harrisburg, PA 17105-3608	
1-PLC ±		0.25		NAME: -		PRODUCT SPEC: -		2X5POS. GET FEMALE CONNECTOR; UNSEALED ASSEMBLY	
2-PLC ±		0.30		APPLICATION SPEC: -		WEIGHT: -		SIZE: CAGE CODE: DRAWING NO: RESTRICTED TO	
3-PLC ±		0.35		CUSTOMER DRAWING: -		SCALE: 5:1		SHEET 1 OF 1 REV B	
4-PLC ±		0.40		MATERIAL: -		FINISH: -		00779 C=1-1419158-4	
ANGLES		-		-		-		-	

Mouser Electronics

Authorized Distributor

Click to View Pricing, Inventory, Delivery & Lifecycle Information:

[TE Connectivity:](#)

[1-1419158-4](#)