

SAFETY ORGANIZATION(S):

THIS FILTER HAS BEEN FORMALLY RECOGNIZED, CERTIFIED OR APPROVED BY THE LISTED AGENCY. THEREFORE, ALL TEST/REQUIREMENTS SPECIFIED IN THE LATEST REVISION OF THE FOLLOWING AGENCY STANDARDS HAVE BEEN MET:

UL RECOGNIZED
CSA CERTIFIED
VDE APPROVED
SEV APPROVED

UL 1283
CSA 22.2, NO.0,0.4,8
VDE 565-3
SEV 1055/TP1977/5.1.1

OPERATING SPECIFICATIONS:

LINE VOLTAGE/CURRENT: 3 AMP, 120/250 VAC
2.75 AMP./40°C, 250 VAC
LINE FREQUENCY: 50-60Hz

MAX. LEAKAGE CURRENT, EACH: .3 mA AT 120V 60Hz
LINE TO GROUND: .5 mA at 250V 50Hz

OPERATING AMBIENT TEMP. RANGE: -10°C TO +40°C @ RATED CURRENT, I_r

IN AN AMBIENT, T_a, HIGHER THAN 40°C, THE MAXIMUM OPERATING CURRENT, I_o, IS AS FOLLOWS:

$$I_o = I_r \sqrt{\frac{85 - T_a}{45}}$$

RELIABILITY SPECIFICATIONS:

STORAGE TEMPERATURE: -40°C TO +85°C
HUMIDITY: 21 DAYS @ 40°C 95% RH
CURRENT OVERLOAD TEST: 6 TIMES RATED CURRENT FOR 8 SECONDS

TEST SPECIFICATIONS:

INDUCTANCE: 36.8 mH NOMINAL
CAPACITANCE: (MEASURED @ 1 KHz, 0.25VAC MAX., 25°C±1°C)
LINE TO GROUND: .008 μF ±20%
LINE TO LINE: .94 μF ±20%
DISCHARGE RESISTOR: 330kΩ

LINE/GROUND AND LINE/LINE: 6000MΩ (MIN AT 100VDC)
INSULATION RESISTANCE: 20°C AND 50% RH

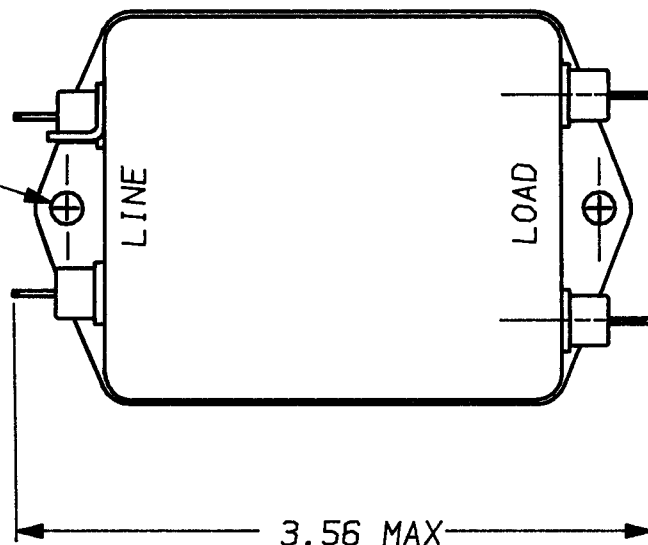
RECOMMENDED RECEIVING INSPECTION HIPOT:

LINES TO GROUND: 2250 VDC FOR 1 MINUTE
LINE TO LINE: 1450 VDC FOR 1 MINUTE

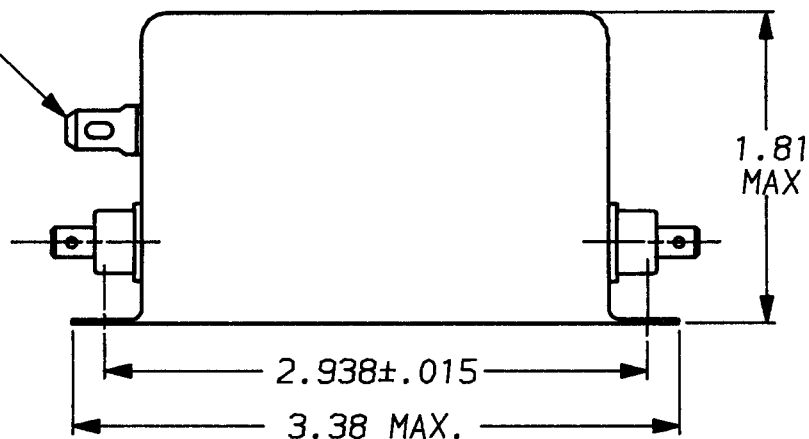
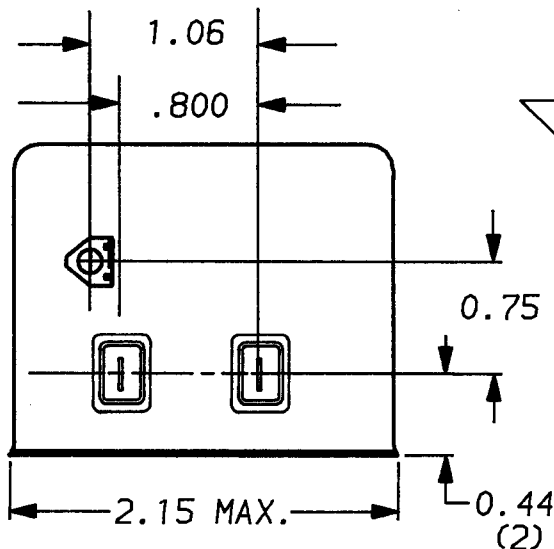
FILTER APPROVAL:

THE BEST WAY TO SELECT AND QUALIFY A FILTER IS FOR YOUR ENGINEERING TO TEST THE UNIT IN YOUR EQUIPMENT.

0.187±.010 DIA (2)



0.069 X 0.155 SLOT



50a - 50a (MINIMUM) INSERTION LOSS

FREQUENCY MHz	.01	.03	.05	.15	.5	1	2	5	8	10	20	30
COMMON dB	22	32	36	46	47	44	43	40	40	42	42	42
DIFF. dB	3	1	30	61	70	70	70	50	50	50	50	55

UNLESS OTHERWISE SPECIFIED, TOLERANCE TO BE ±.025

MATERIAL & FINISH: AS SUPPLIED

This document is proprietary to CORCOM INC. and is not to be reproduced nor used for manufacturing purposes except on CORCOM'S prior written consent.



POWER LINE FILTER

DATE: 9-28-93

CATALOG NO.

APPROV. T A M

3ET1

CAD NO.

ALTERNATE CONSTRUCTION

SET1.05

Mouser Electronics

Authorized Distributor

Click to View Pricing, Inventory, Delivery & Lifecycle Information:

[TE Connectivity:](#)

[3ET1](#)